

# PIONEER



## CIRCUIT DIAGRAMS VOL. 2



FOR PIONEER AUDIO EQUIPMENTS

# CONTENTS

## § 1 STEREO RECEIVERS

SX - 34B , SX - 34Bk .....	3
LX - 34B .....	4
SX - 34Bs .....	6
SX - 410 .....	8
LX - 420A .....	10
SX - 800 , SX - 2000 .....	12
SX - 600T .....	14
SX - 1000TA .....	17
SX - 300T .....	21
LX - 300T .....	28
SX - 700T , SX - 700T/F .....	32
LX - 800T .....	37
SX - 1000TD/F , SX - 1000TW/FW .....	41
SX - 1500 T/F , SX - 1500T .....	42
SX - 440/F .....	47
SX - 440/FVW , SX - 440/KC .....	50,51
LX - 440/FW .....	54
KX - 440/FW .....	57
KX - 510 .....	60
SX - 510T .....	66
SX - 770/FVW .....	68
SX - 990/FVW .....	72
SX - 1500TD/FW .....	78

## § 2 STEREO AMPLIFIERS & STEREO TUNERS

SA - 400 .....	85
SA - 810/F , SA - 810 .....	86
SA - 500/F , SA - 500/KC .....	87,88
SA - 700/F , SA - 700/K .....	90,91
SA - 900/F , SA - 900/KC .....	94,95
SC - 100 <i>(Stereo Preampfier)</i> .....	98
SM - 100 <i>(Stereo Power Amplifier)</i> .....	99
TX - 400 .....	100
TX - 500/F , TX - 500/KC .....	101,102
TX - 900/F , TX - 900/KC .....	104,105

## § 3 STEREO TAPE DECKS & STEREO CARTRIDGE TAPE PLAYERS

T - 500/F .....	110
T - 600/F .....	111
H - 60 <sup>Ⓔ</sup> .....	112
H - 601 <sup>Ⓕ</sup> .....	112

## § 4 STEREO SYSTEMS (COMPACT & CONSOLE-TYPE)

C - 2000 , S - 450 .....	114
C - 2000s , S - 450s .....	117
C - 3500 , S - 4600 .....	120
C - 3500s , S - 4600s .....	123
C - 6000 .....	126
S - 5100 .....	129
C - 5600/F .....	134
C - 5600/FSA .....	138

## § 5 OTHER AUDIO EQUIPMENT

IS - 31 .....	141
IS - 80 .....	144
IS - 70 .....	145
SR - 202 .....	146

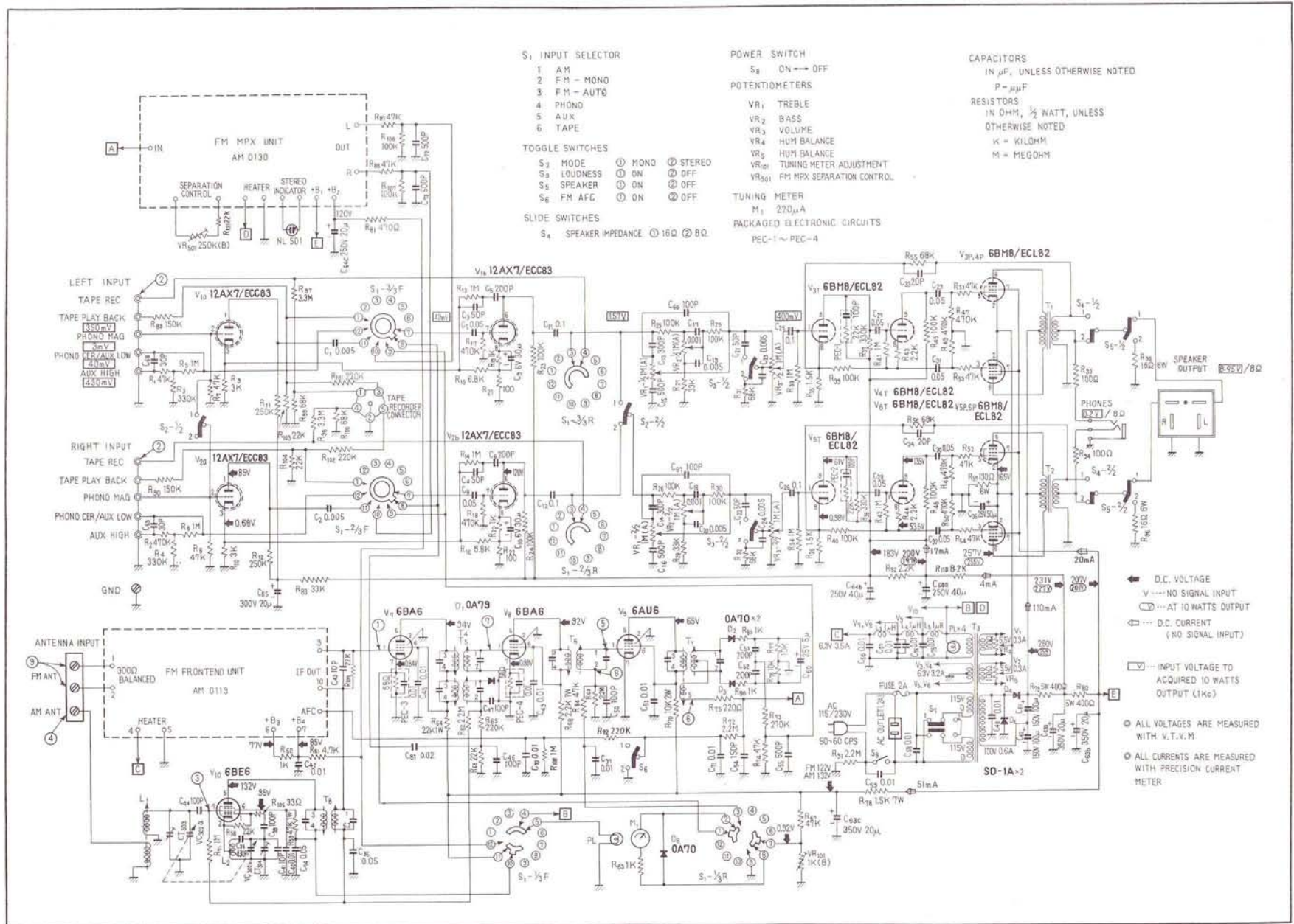
# SECTION 1

## STEREO RECEIVERS

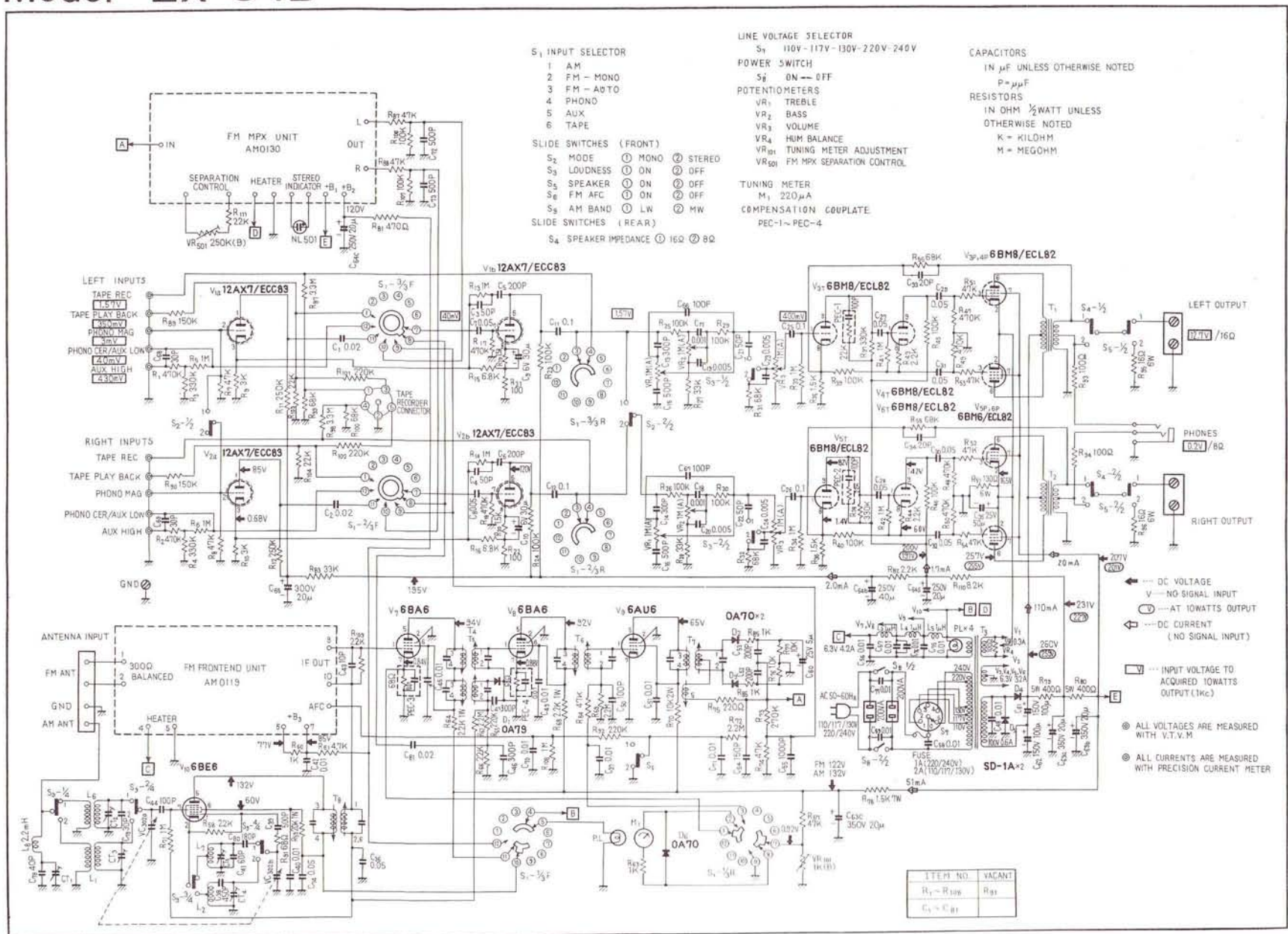


MODEL SX-1500T

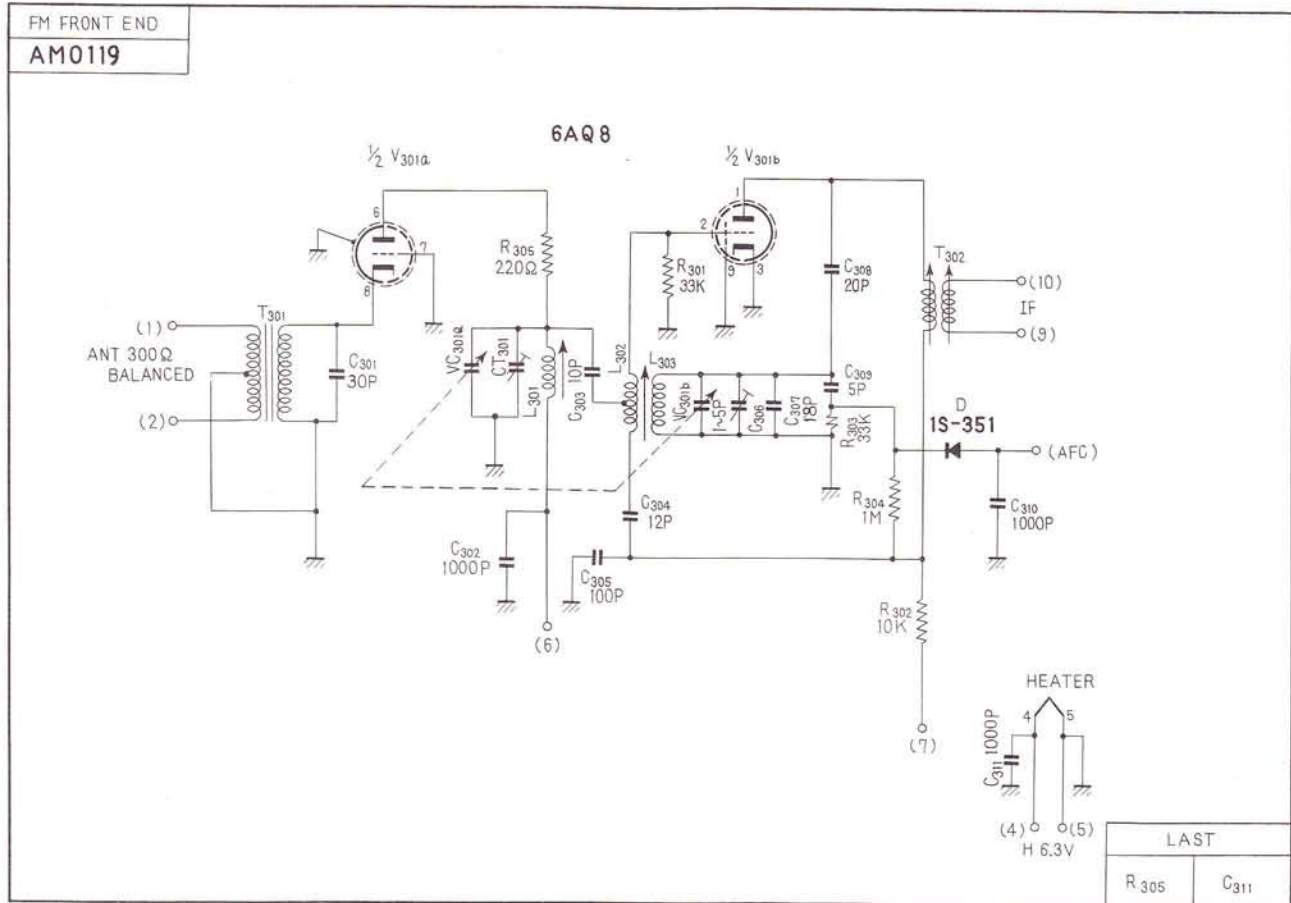
# Model SX-34B, SX-34Bk



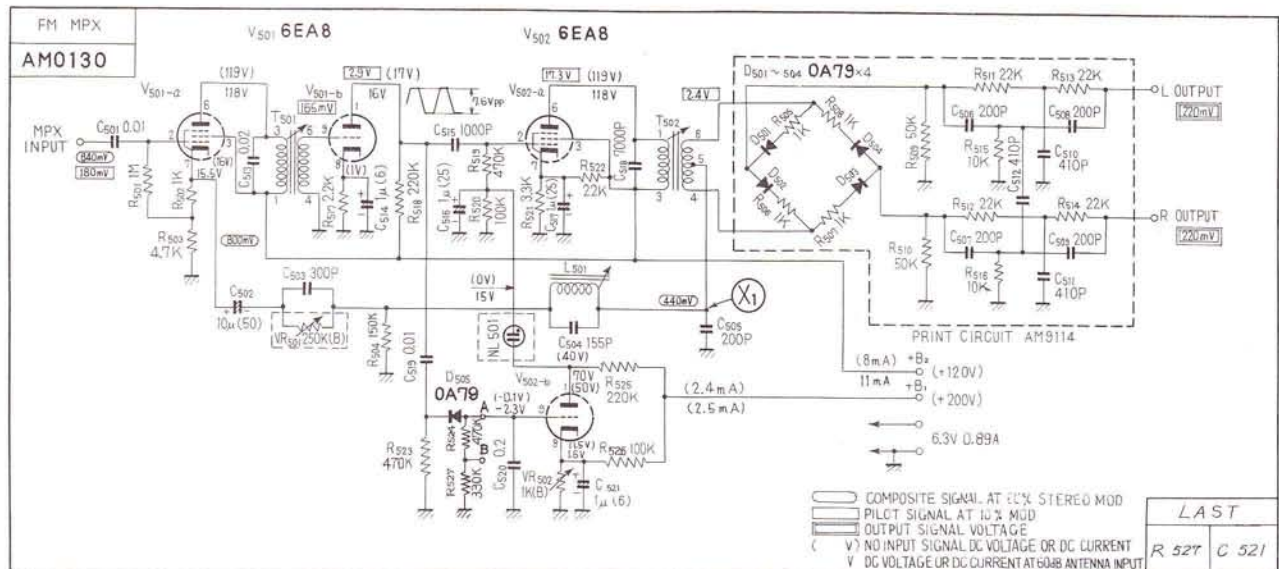
# Model LX-34B



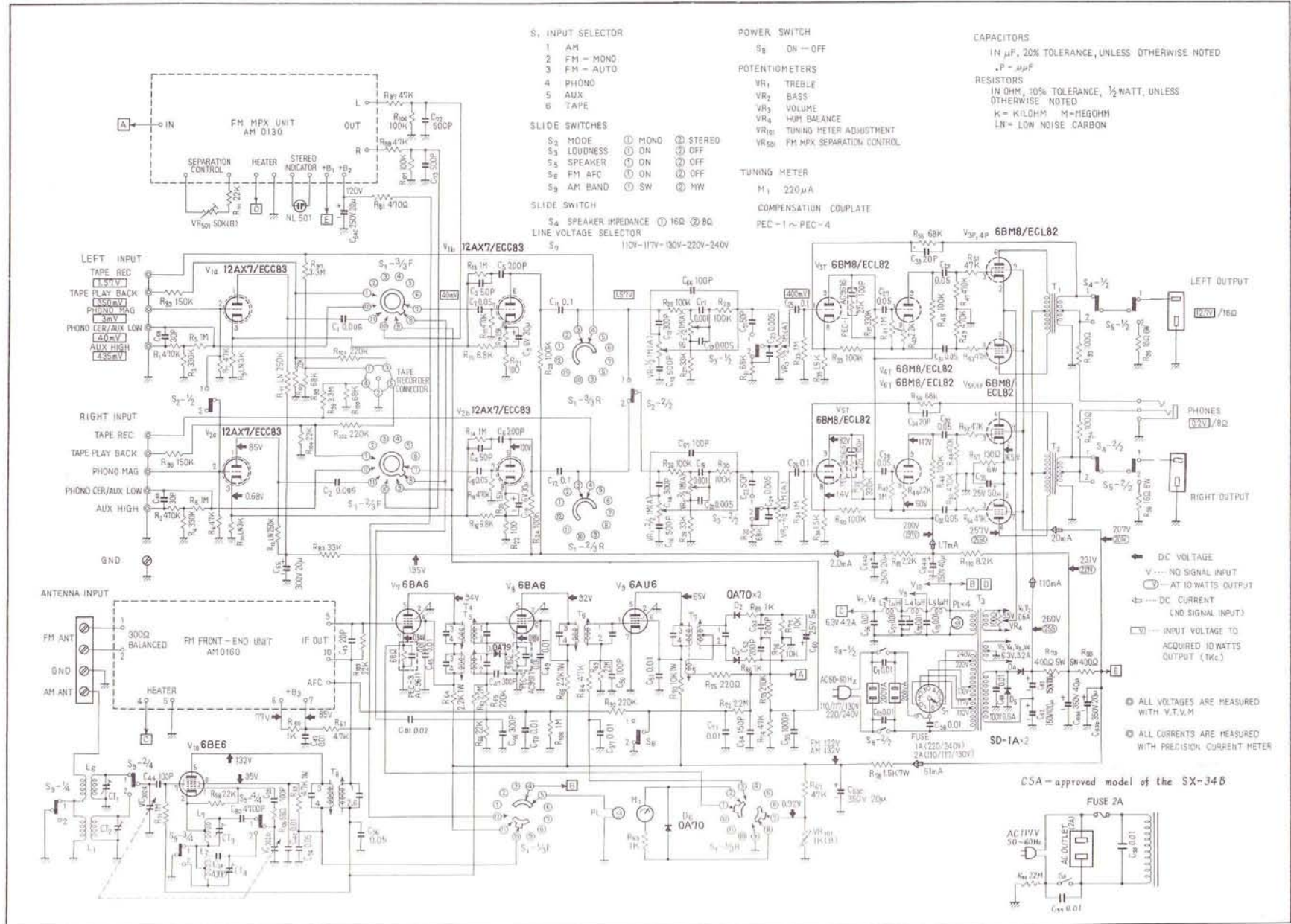
# FM FRONTEND AM0119



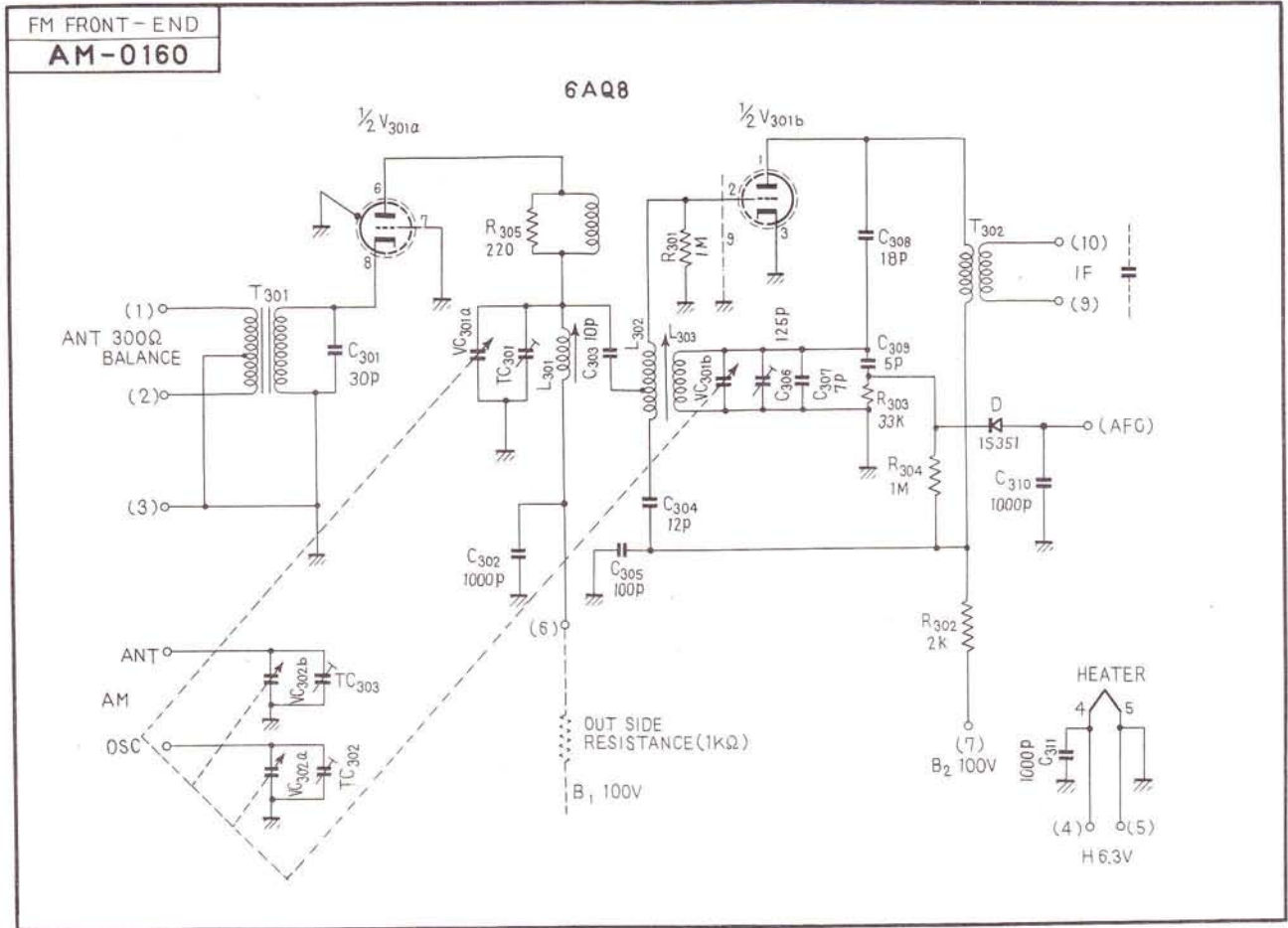
# MPX UNIT AM0130



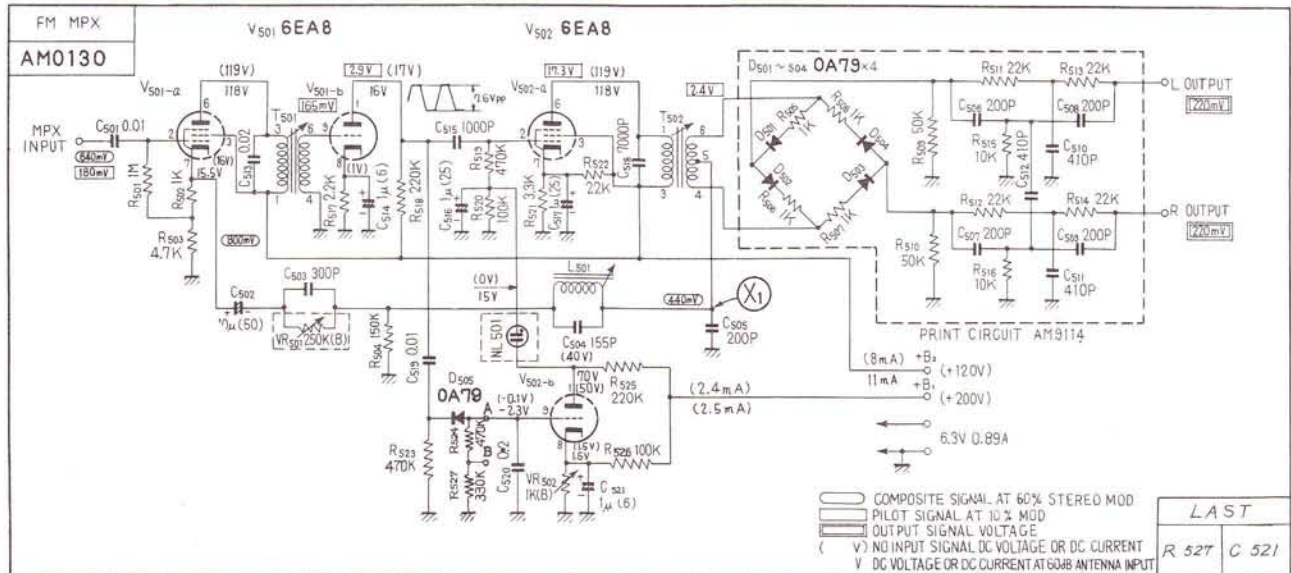
# Model SX-34Bs



# FM FRONTEND AM0160



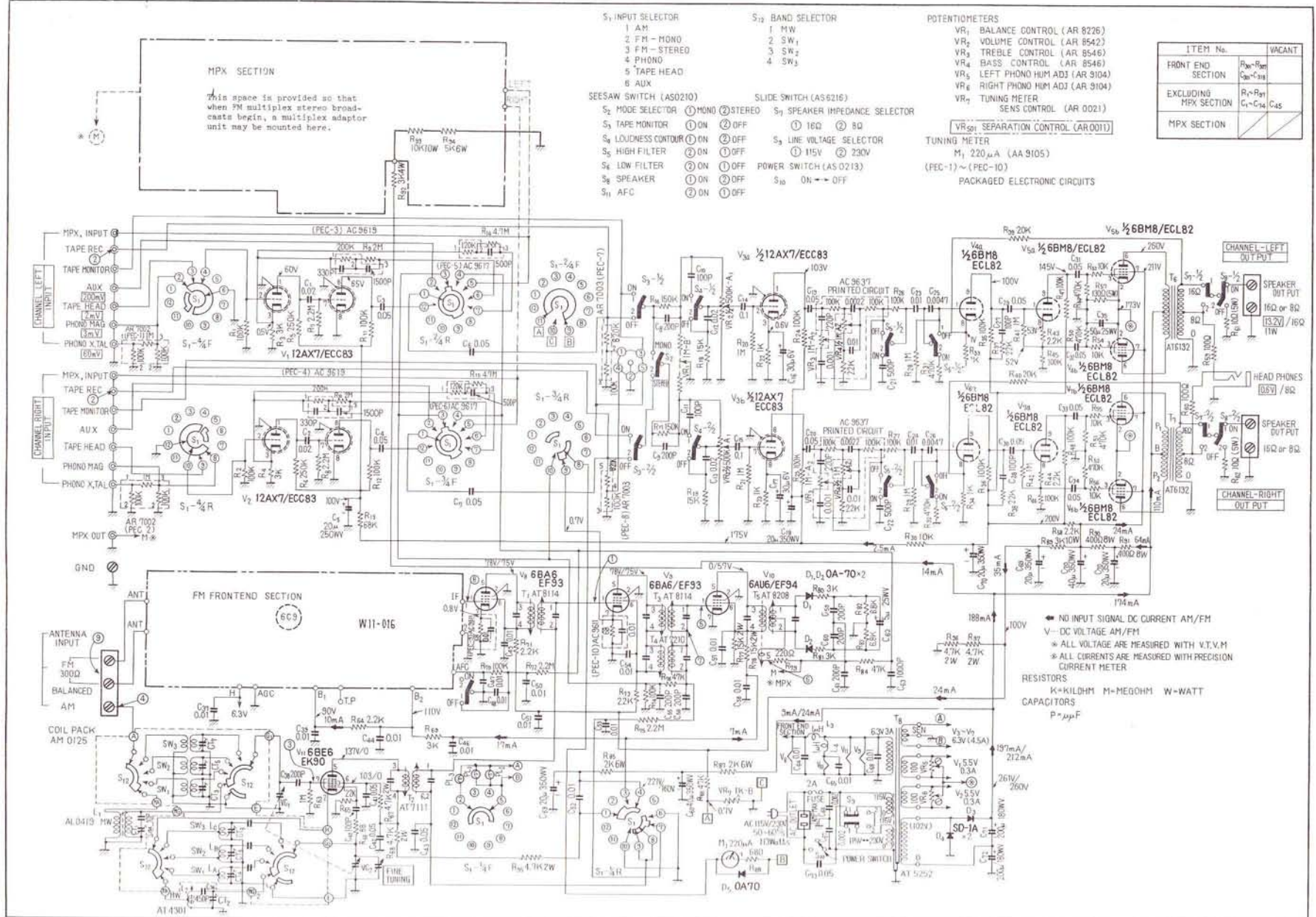
# MPX UNIT AM0130



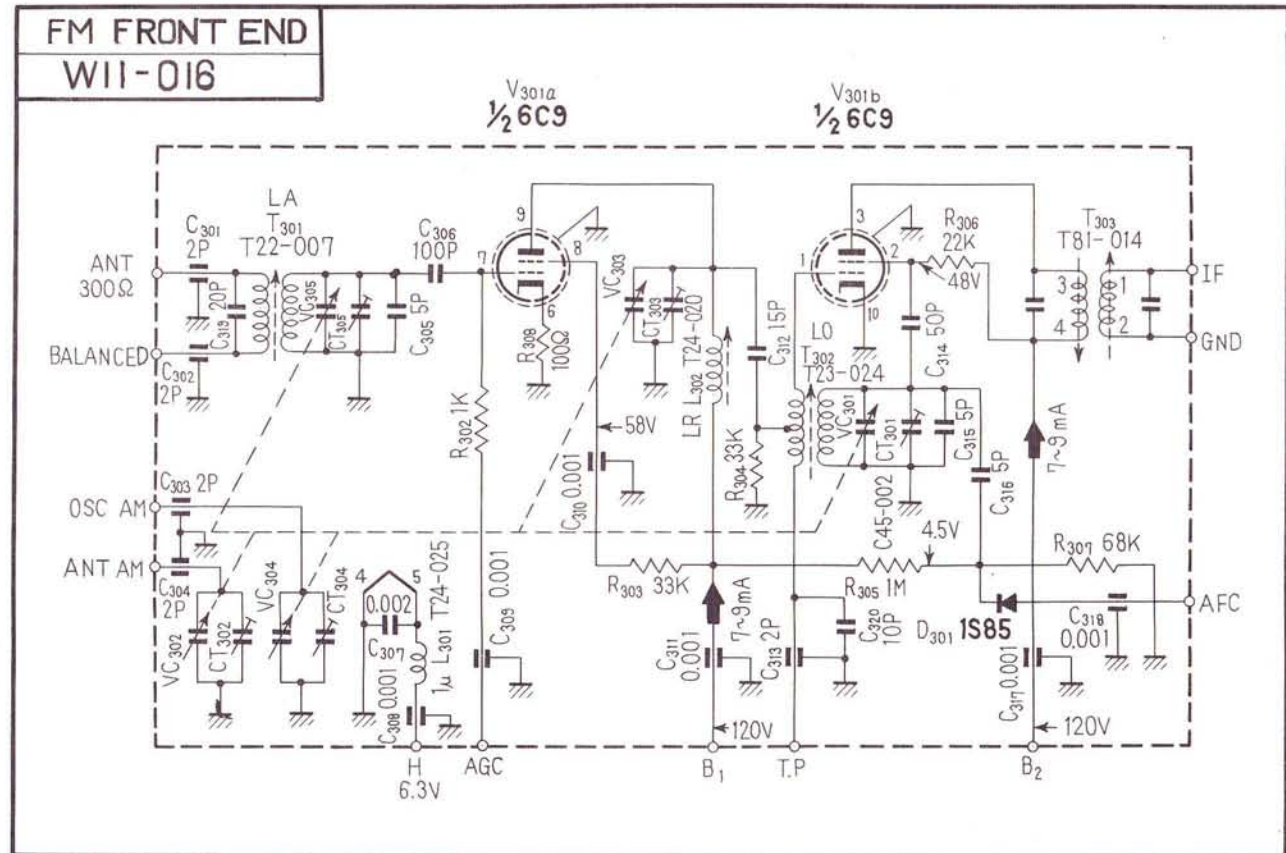
<p>                 ( ) COMPOSITE SIGNAL AT 60% STEREO MOD                  ( ) PILOT SIGNAL AT 10% MOD                  ( ) OUTPUT SIGNAL VOLTAGE                  ( V ) NO INPUT SIGNAL DC VOLTAGE OR DC CURRENT                  ( V ) DC VOLTAGE OR DC CURRENT AT 60% ANTENNA INPUT             </p>	<p>                 LAST                  R 527 C 521             </p>
--	--



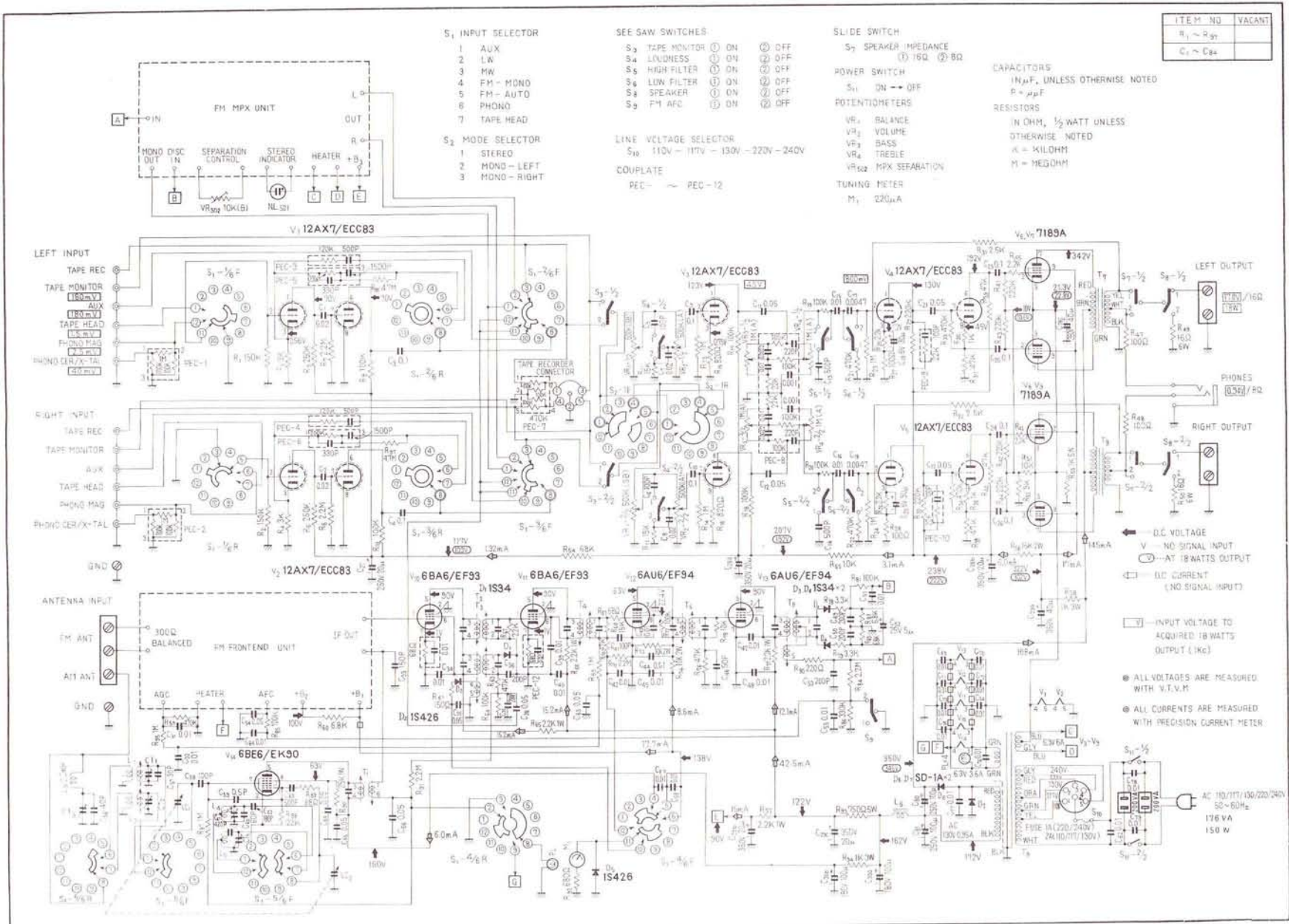
# Model SX-410



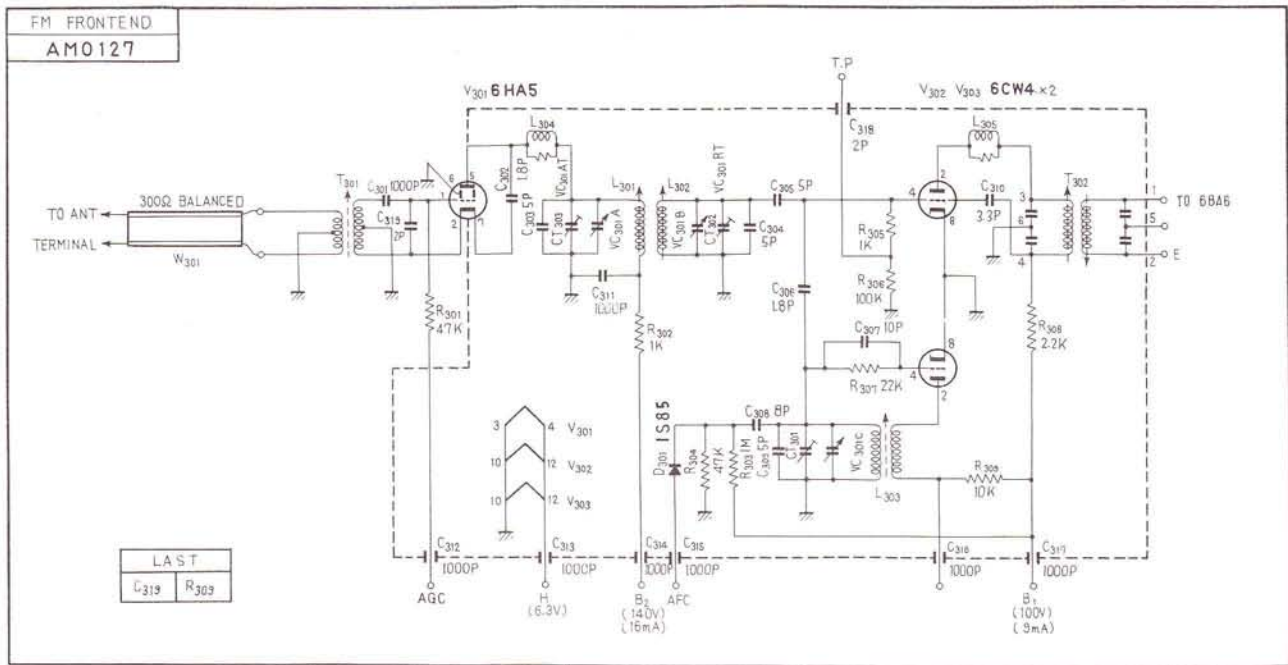
# FM FRONTEND WII-016



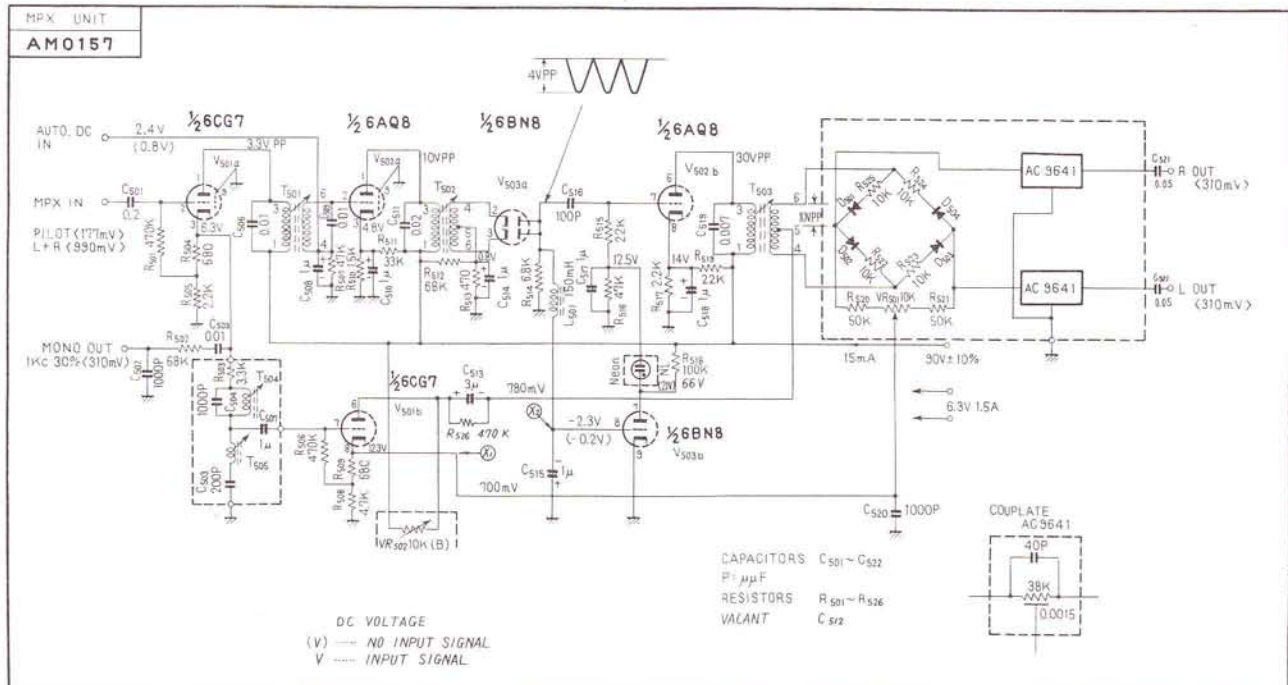
# Model LX-420A



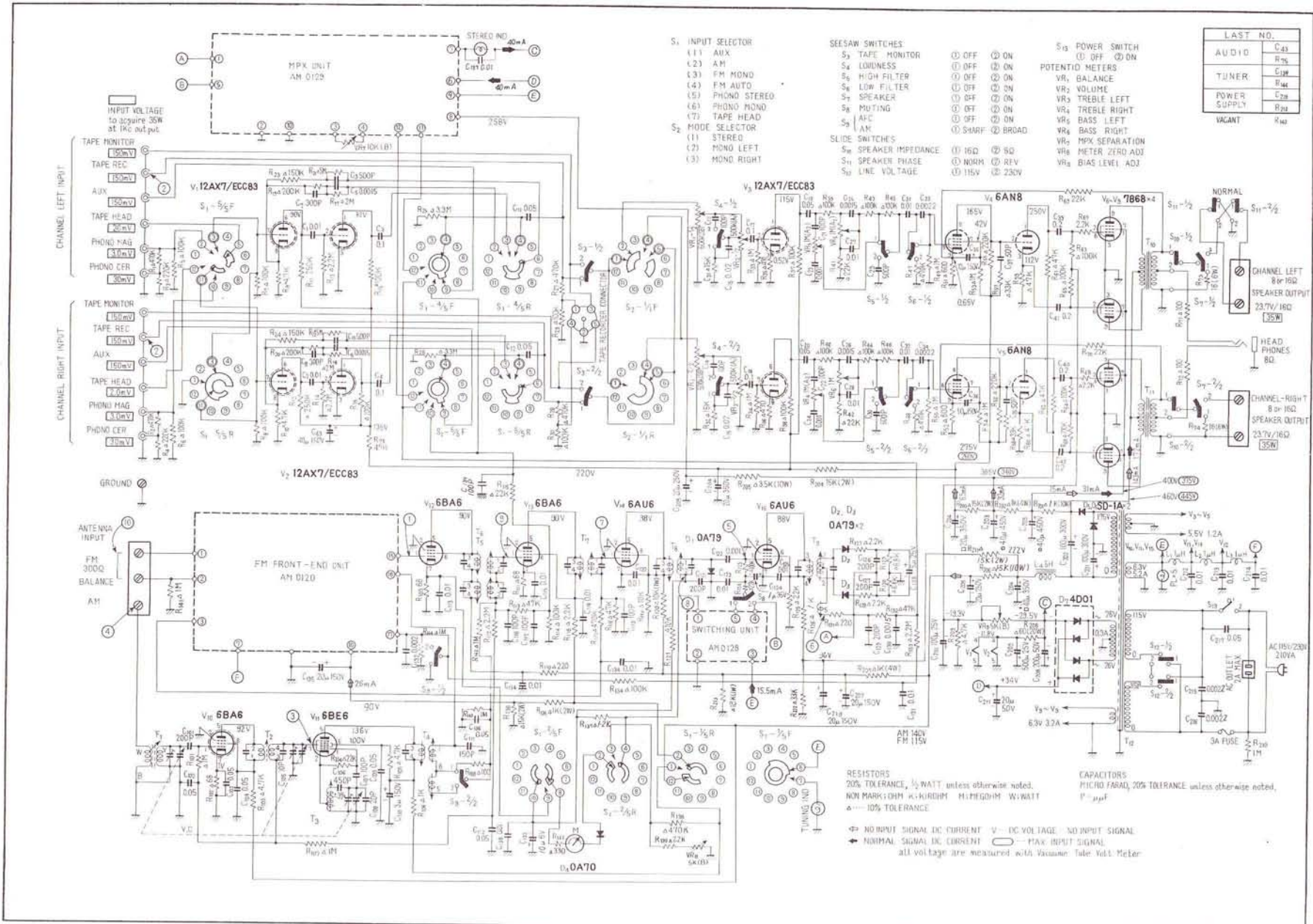
# FM FRONTEND AMO127



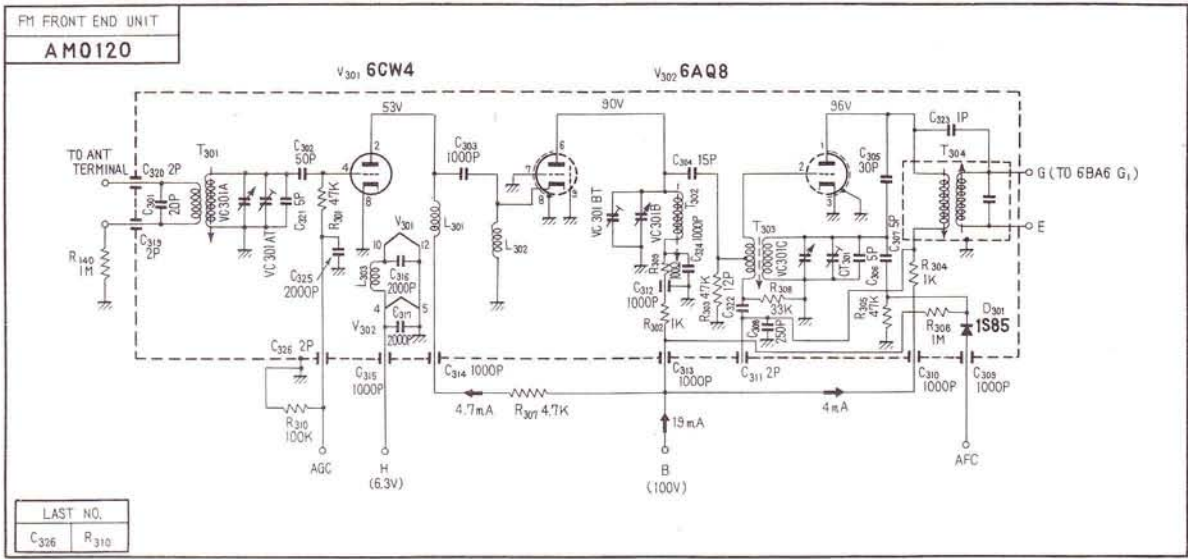
# MPX UNIT AMO157



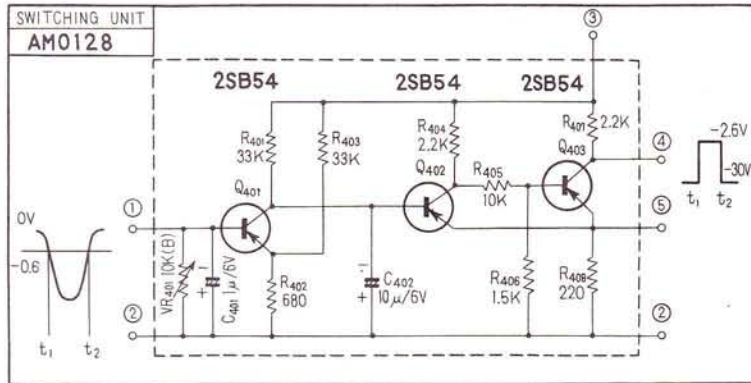
# Model SX-800A, SX-2000



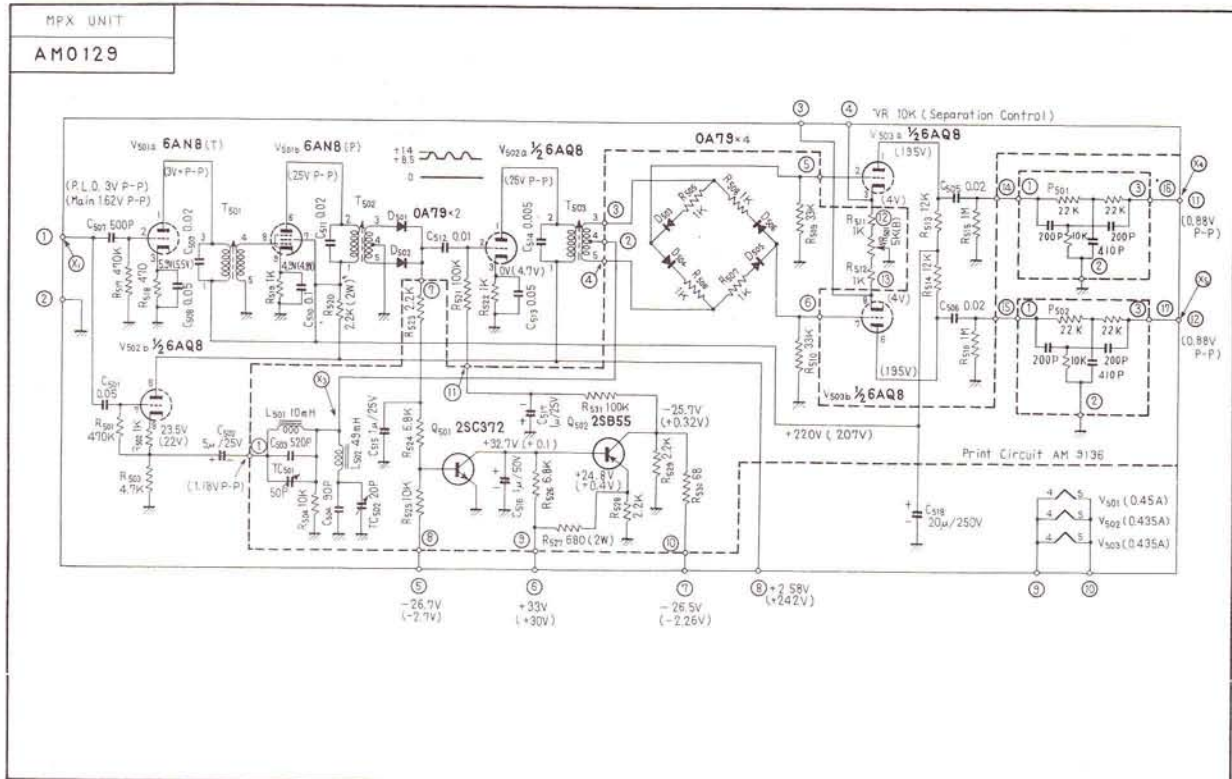
# FM FRONTEND AM0120



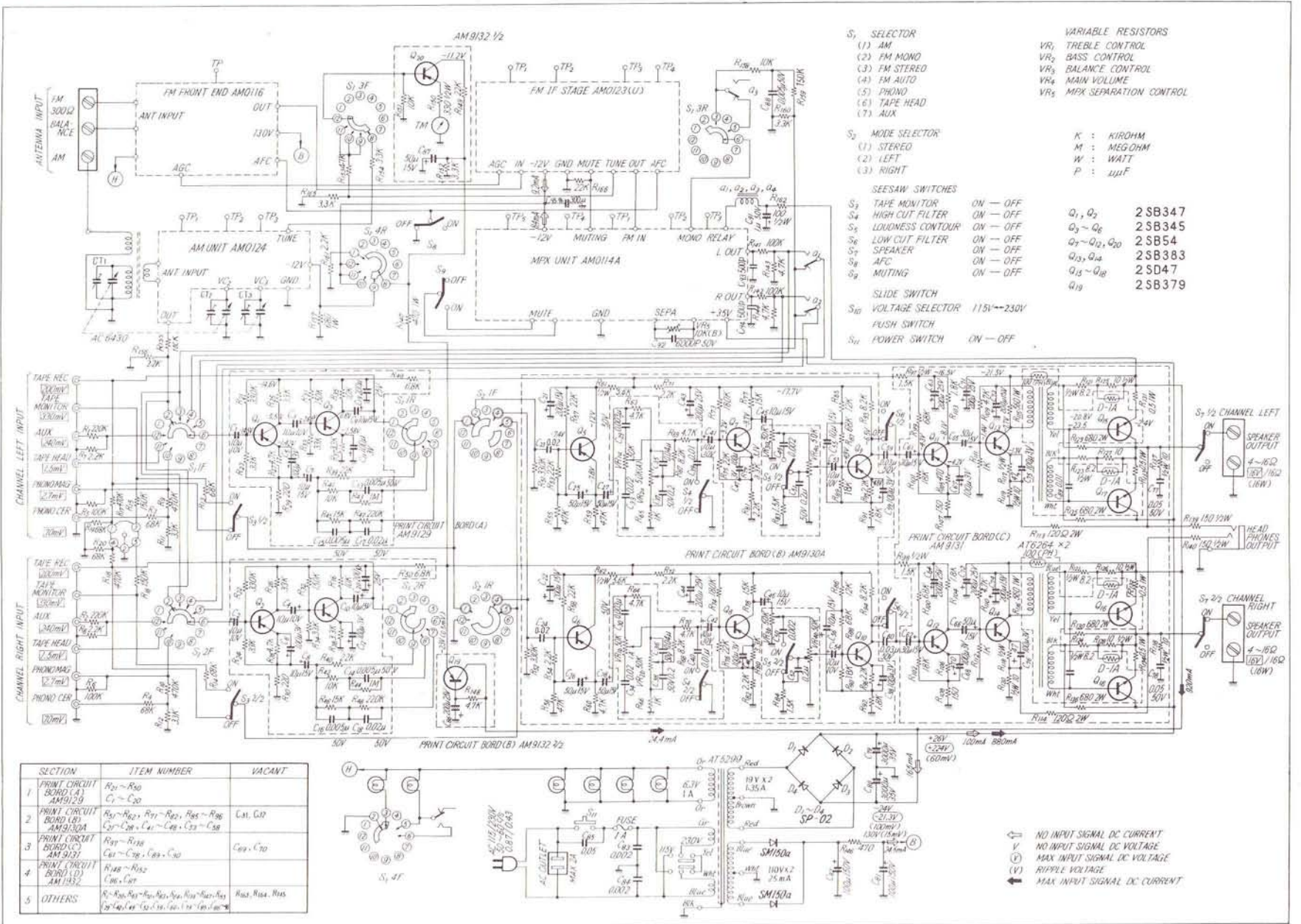
# SWITCHING UNIT AM0128



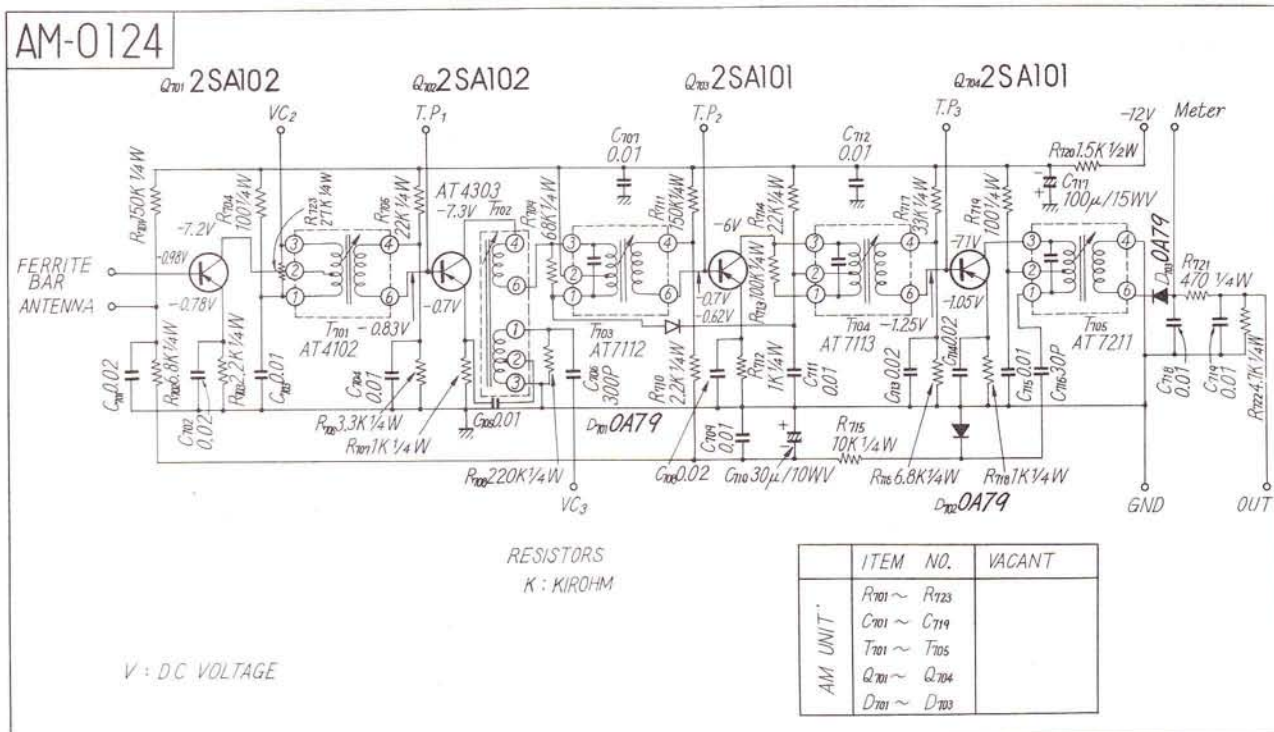
# MPX UNIT AM0129



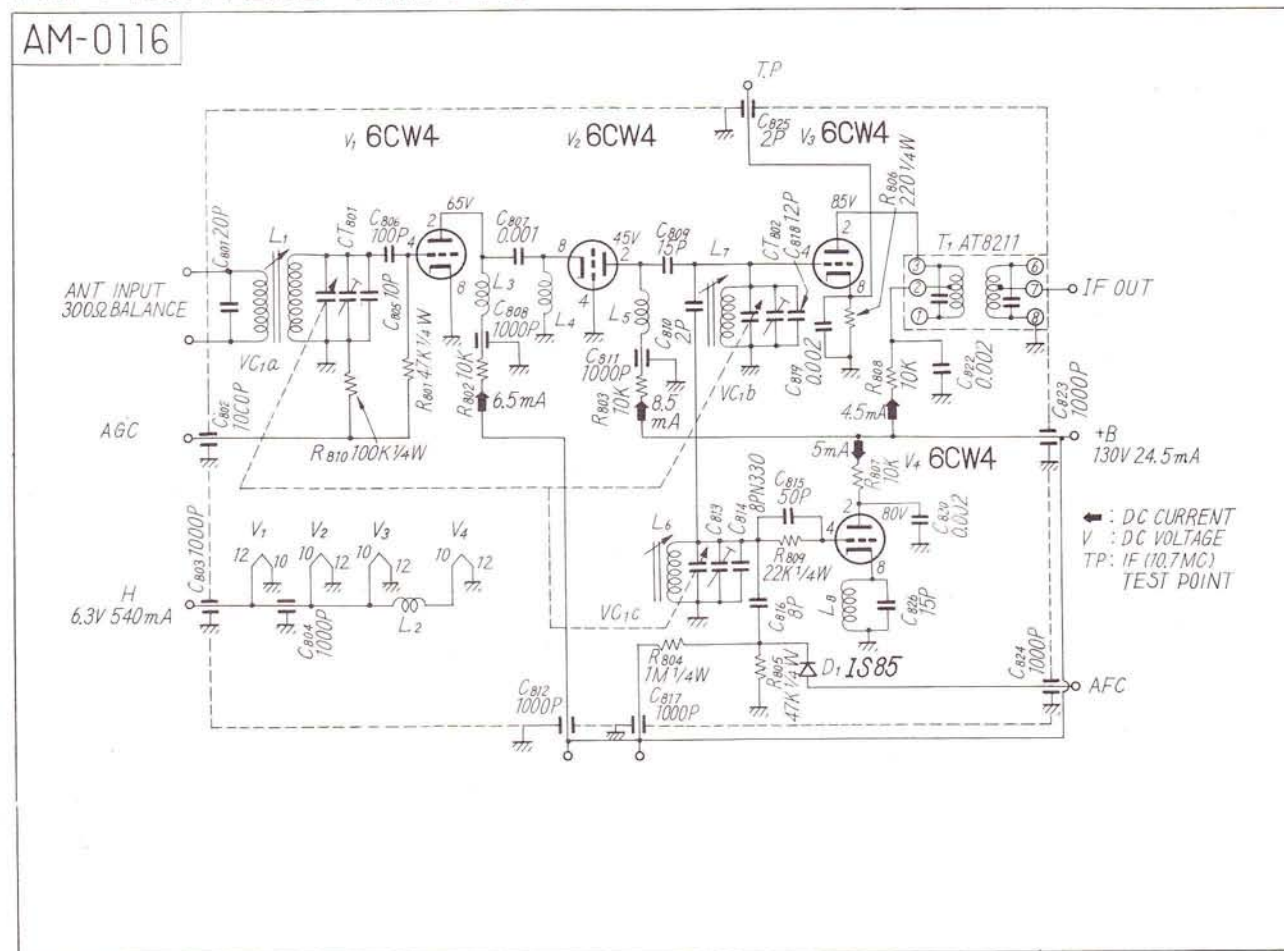
# Model SX-600T



# AM TUNER UNIT AM0124

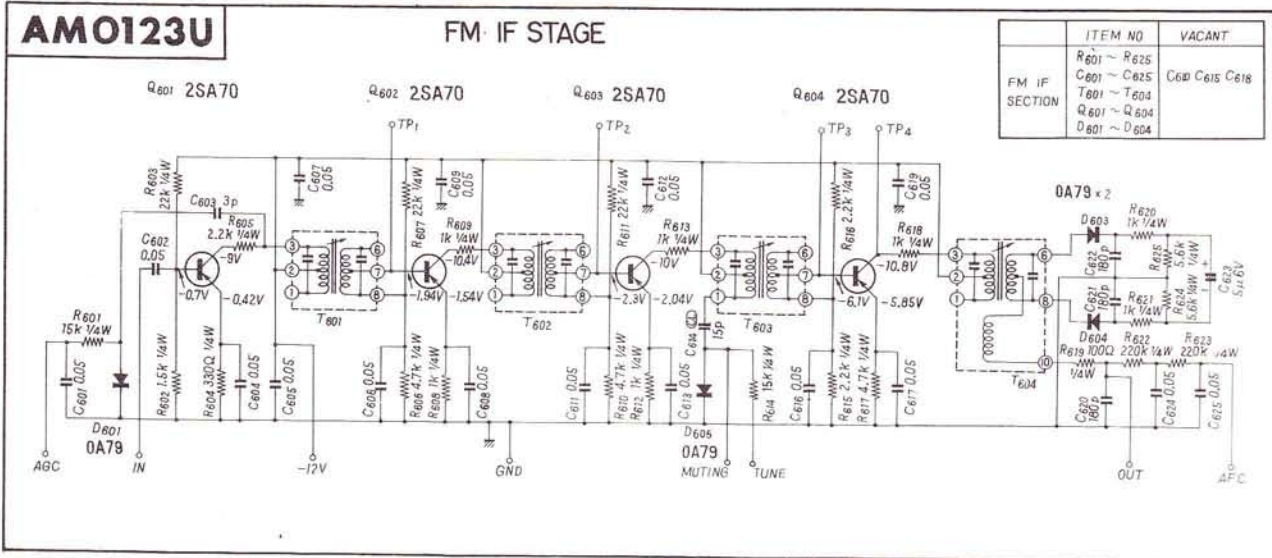


# FM FRONTEND AM0116

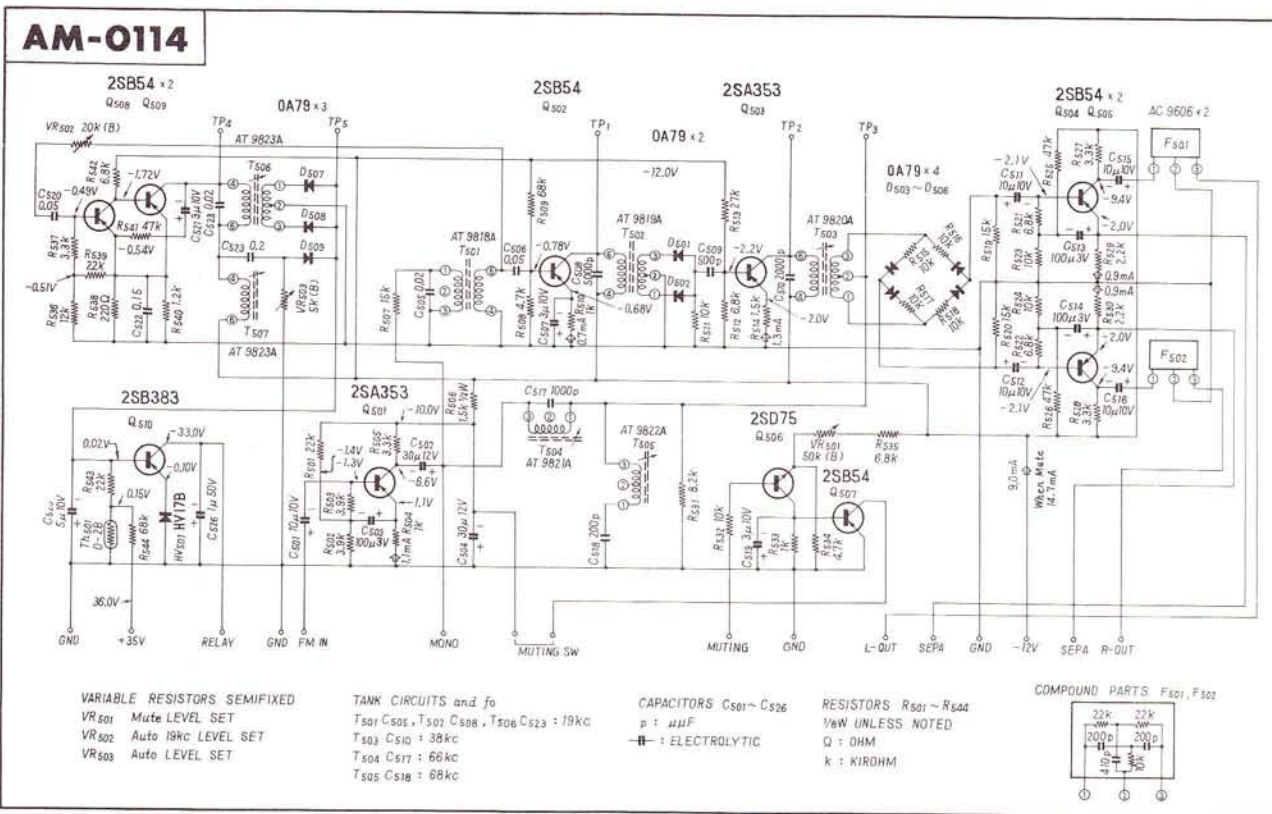




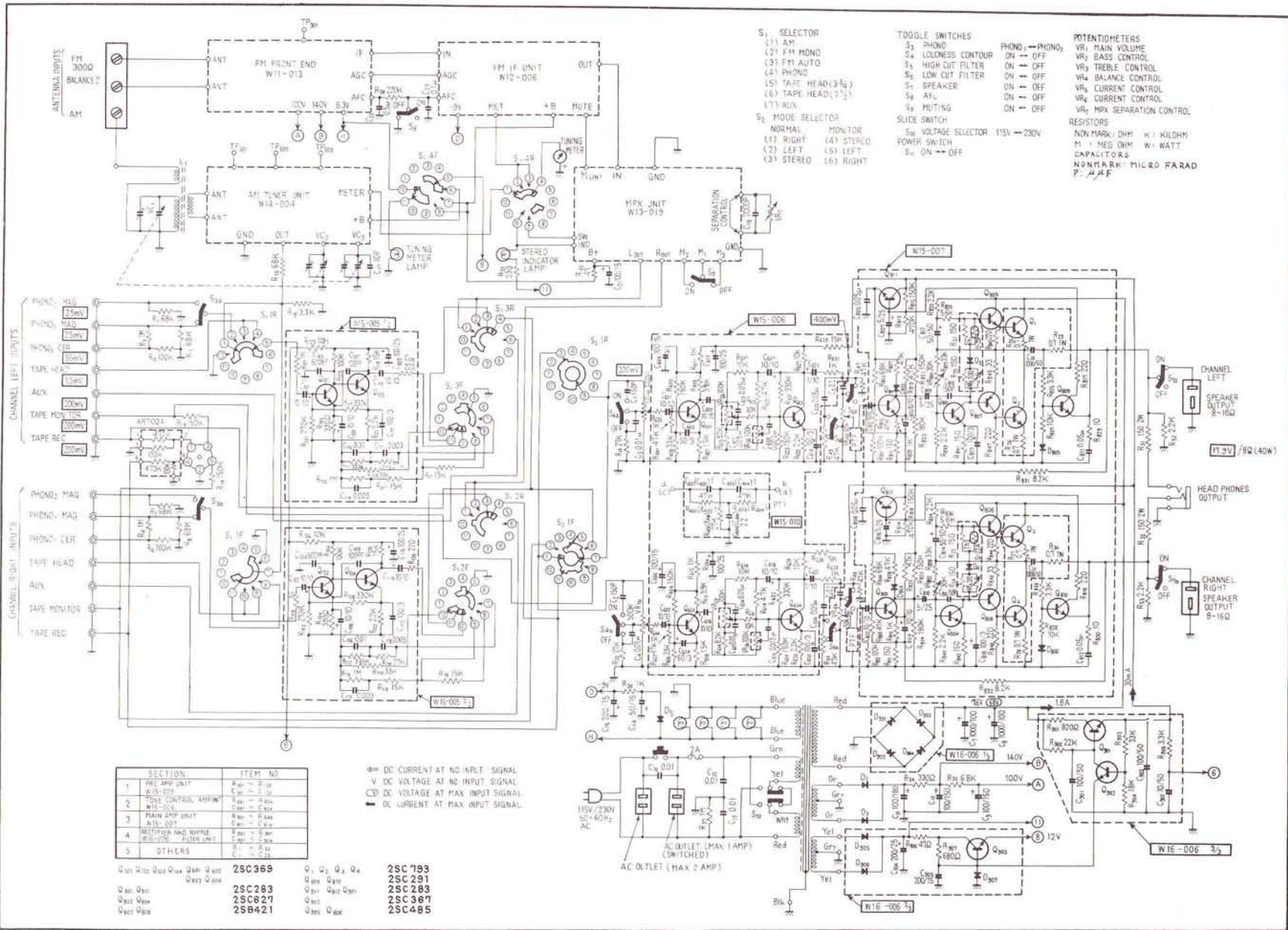
# FM IF UNIT AM 0123U



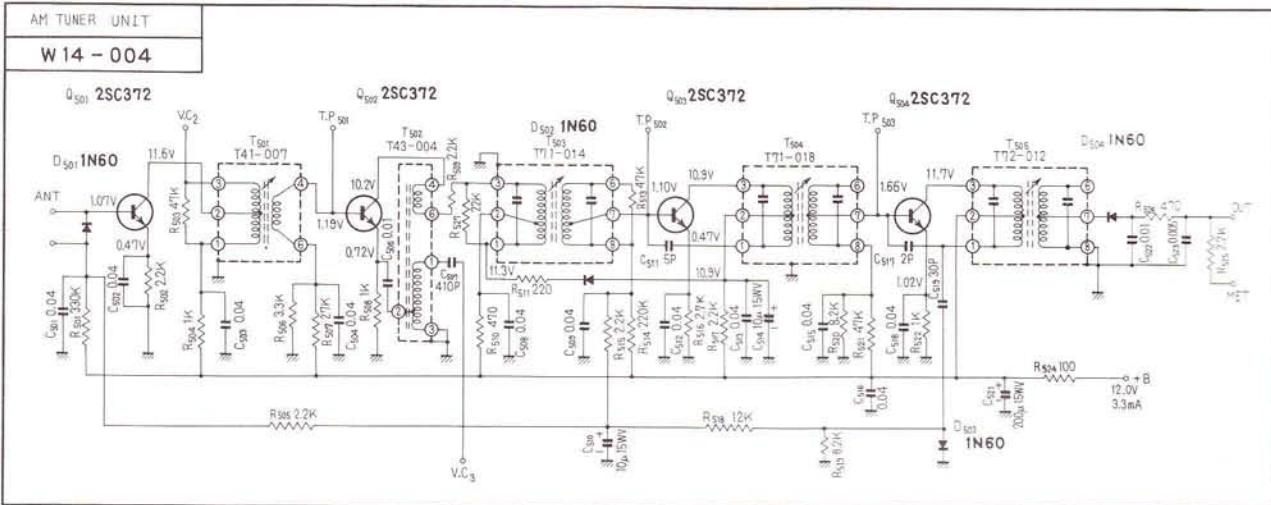
# MPX UNIT AM 0114



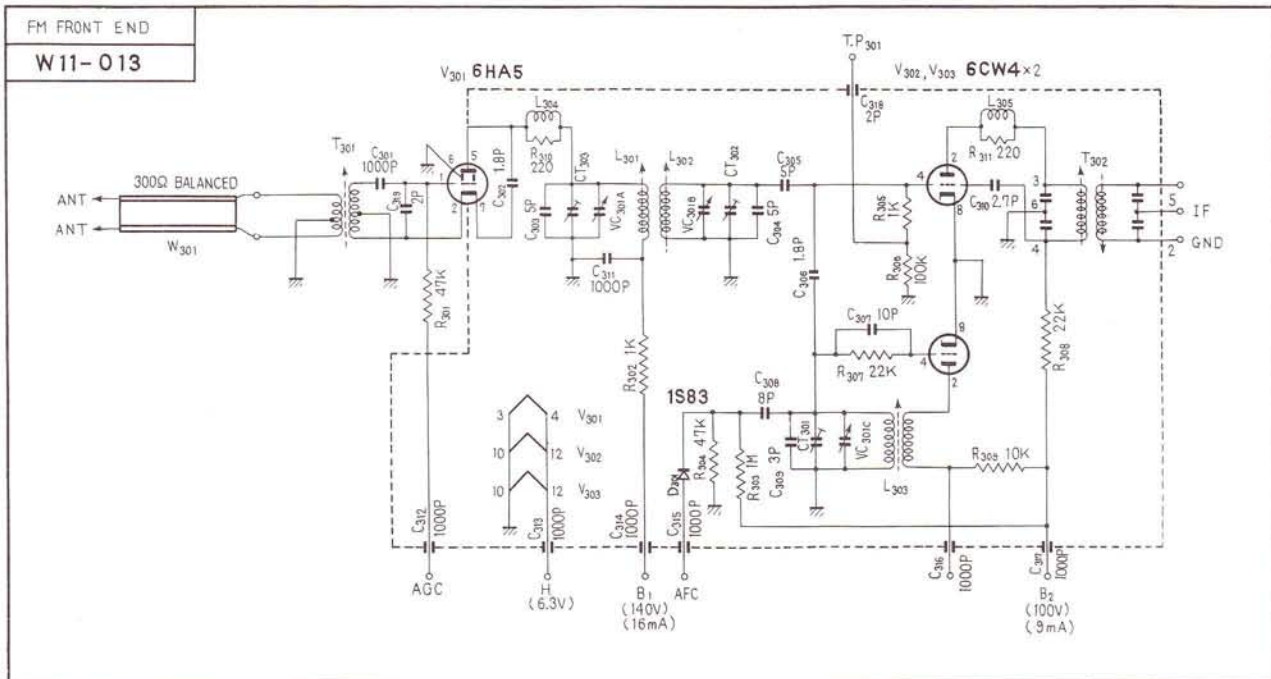
# Model SX-1000TA



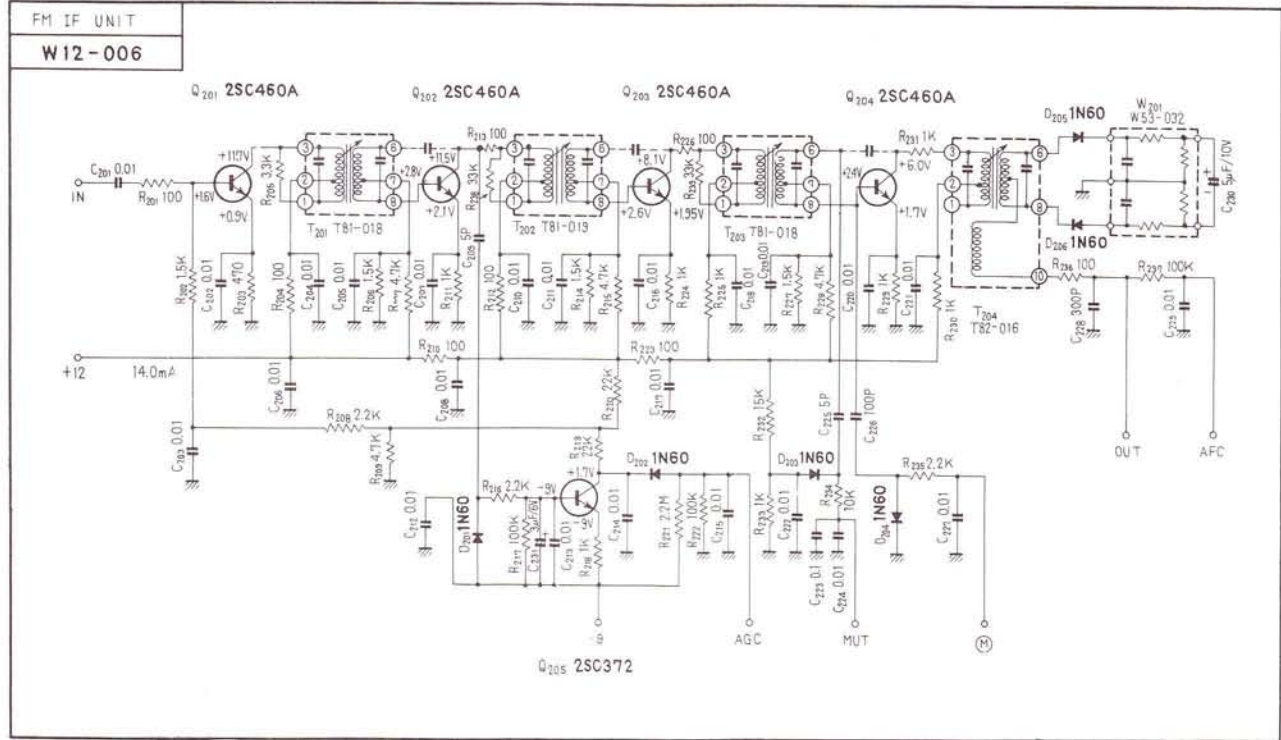
# AM TUNER UNIT W14-004



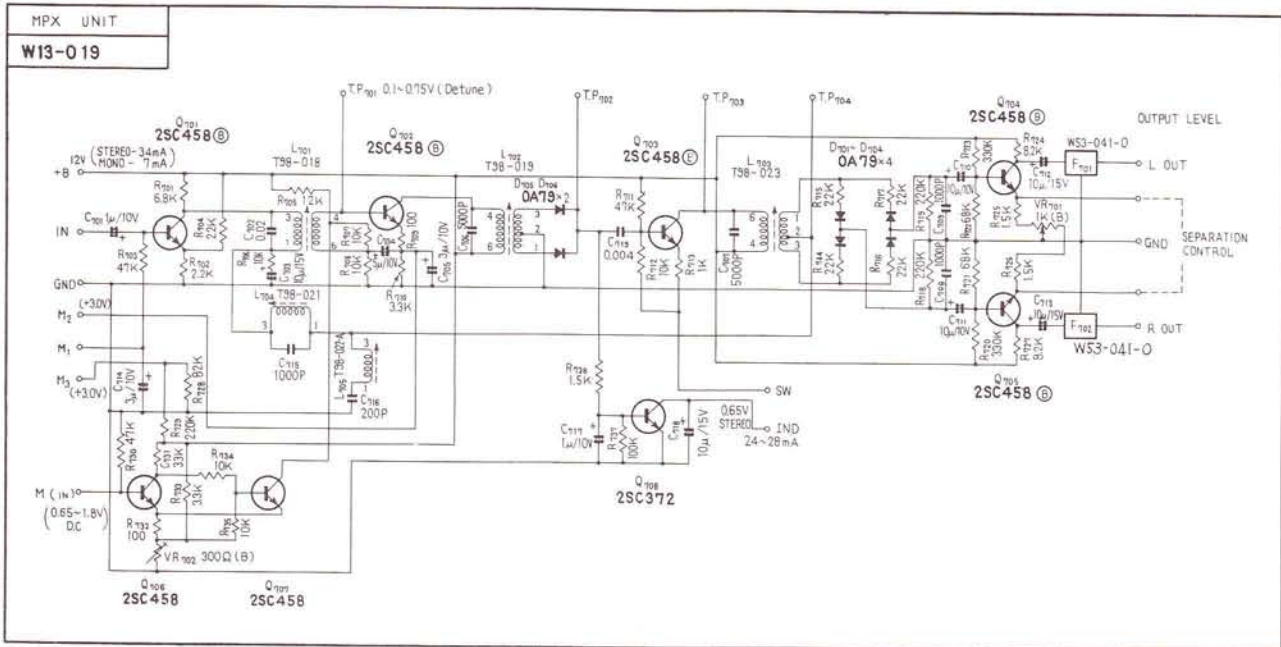
# FM FRONTEND W11-013



# FM IF UNIT W12-006



# MPX UNIT W13-019



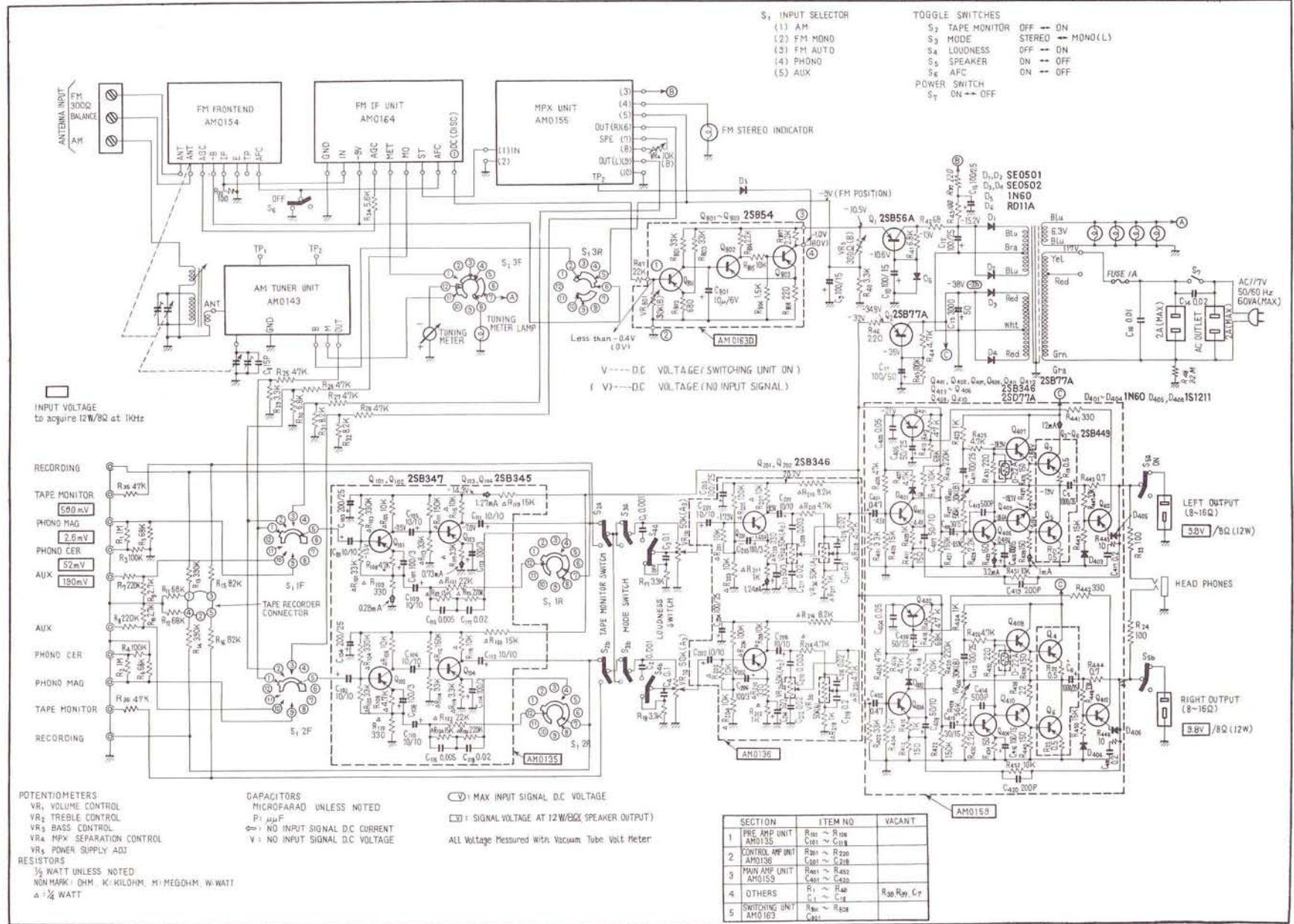
**NOTE:**

There are two different circuit diagrams for SX-300T .  
Make sure that you refer to the circuit diagram  
for the model of your SX-300T.

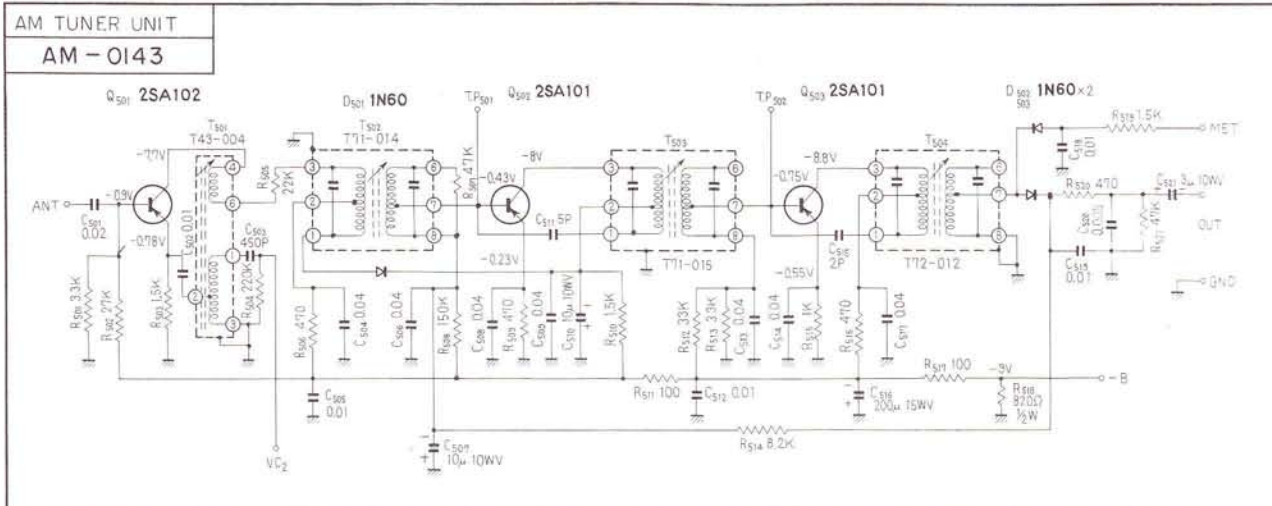


MODEL SX-300T

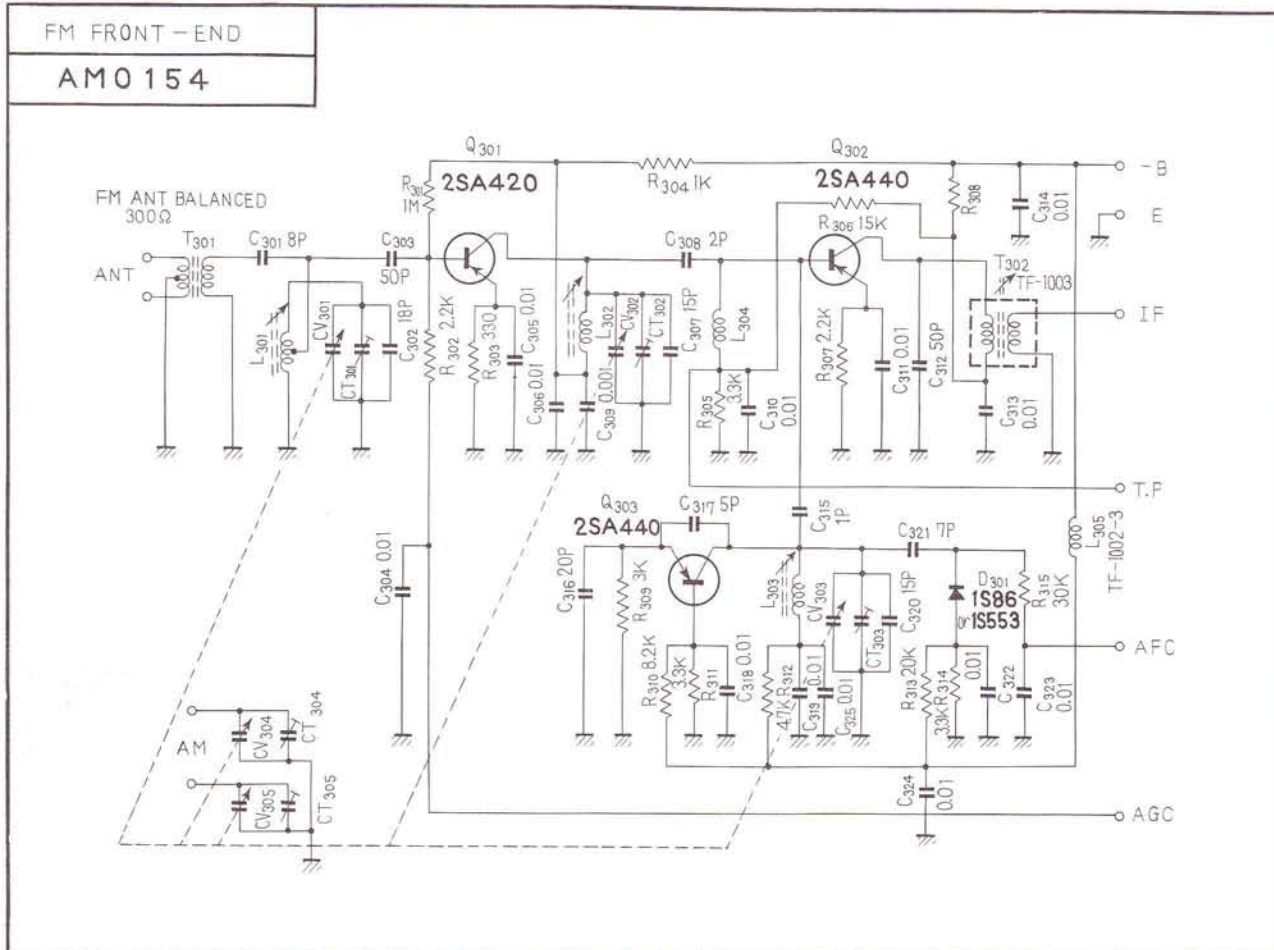
# Model SX-300T



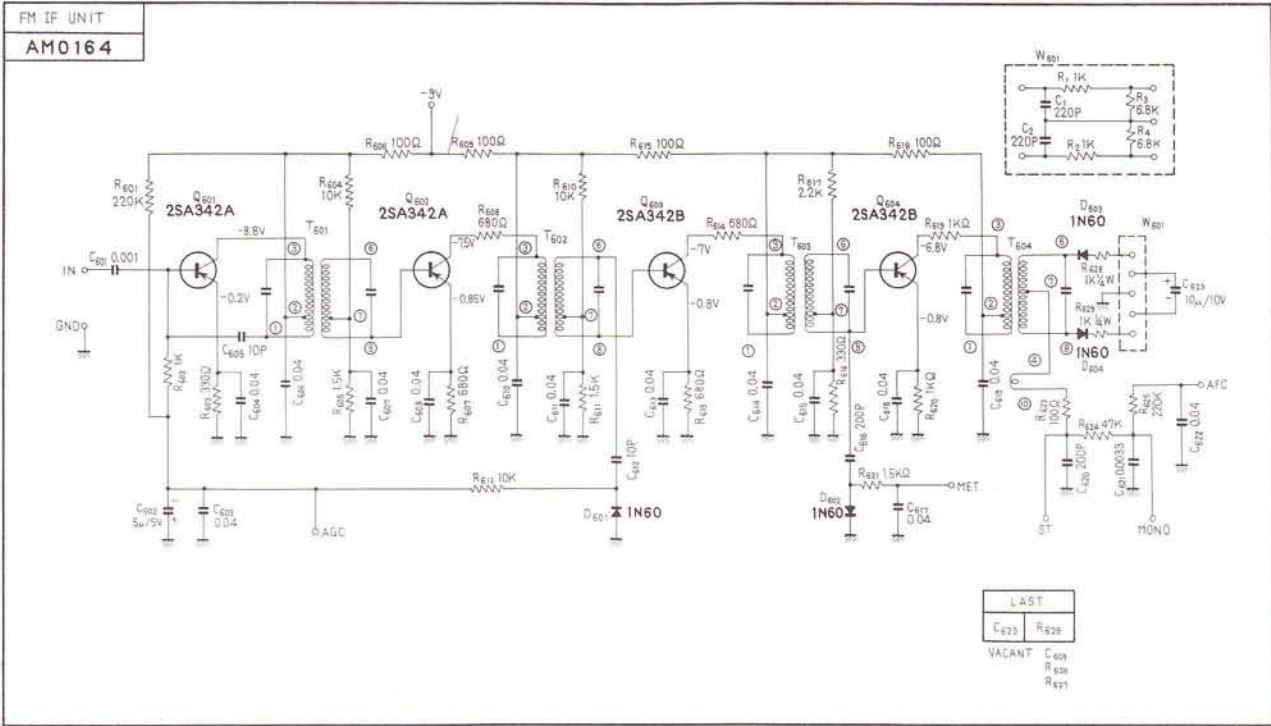
# AM TUNER UNIT AM0143



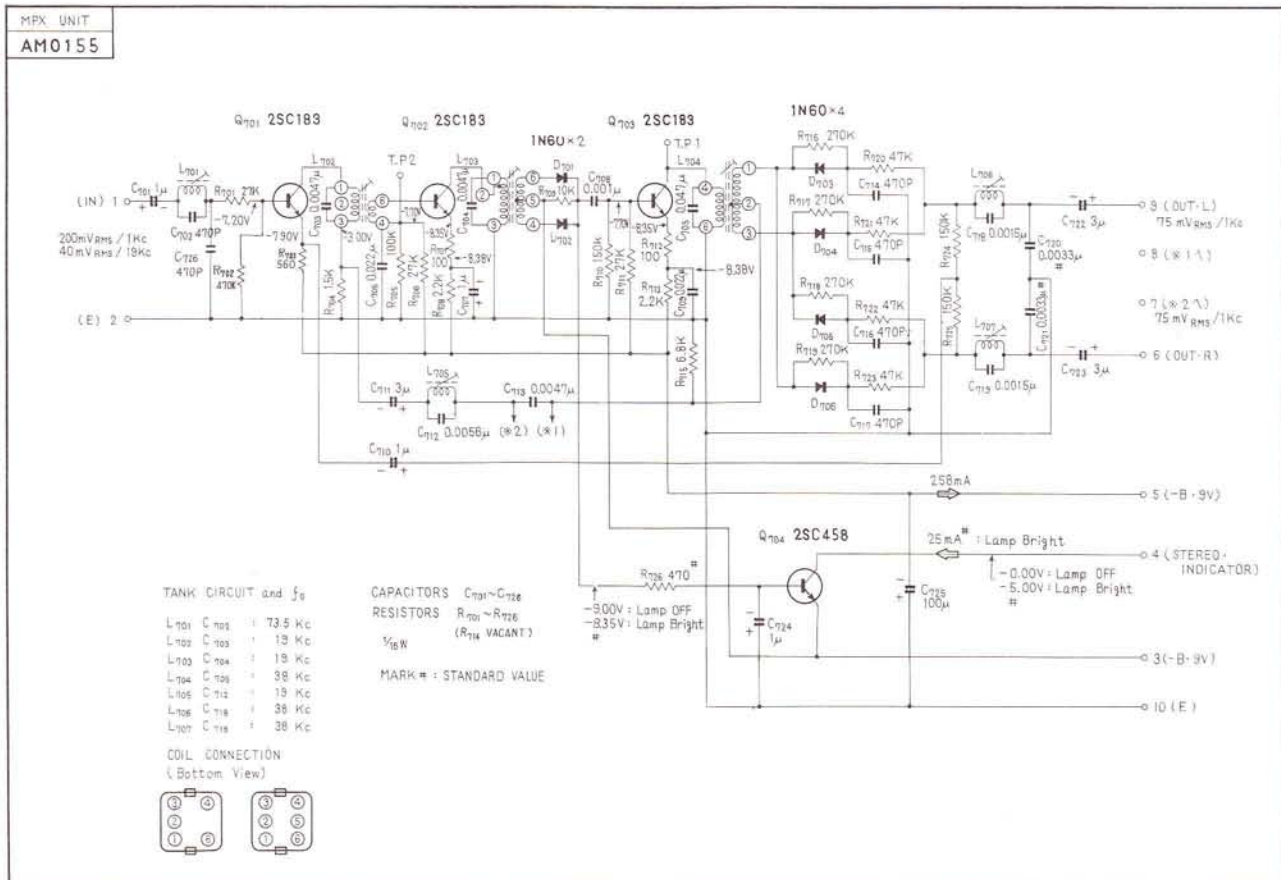
# FM FRONTEND AM0154



# FM IF UNIT AMO164

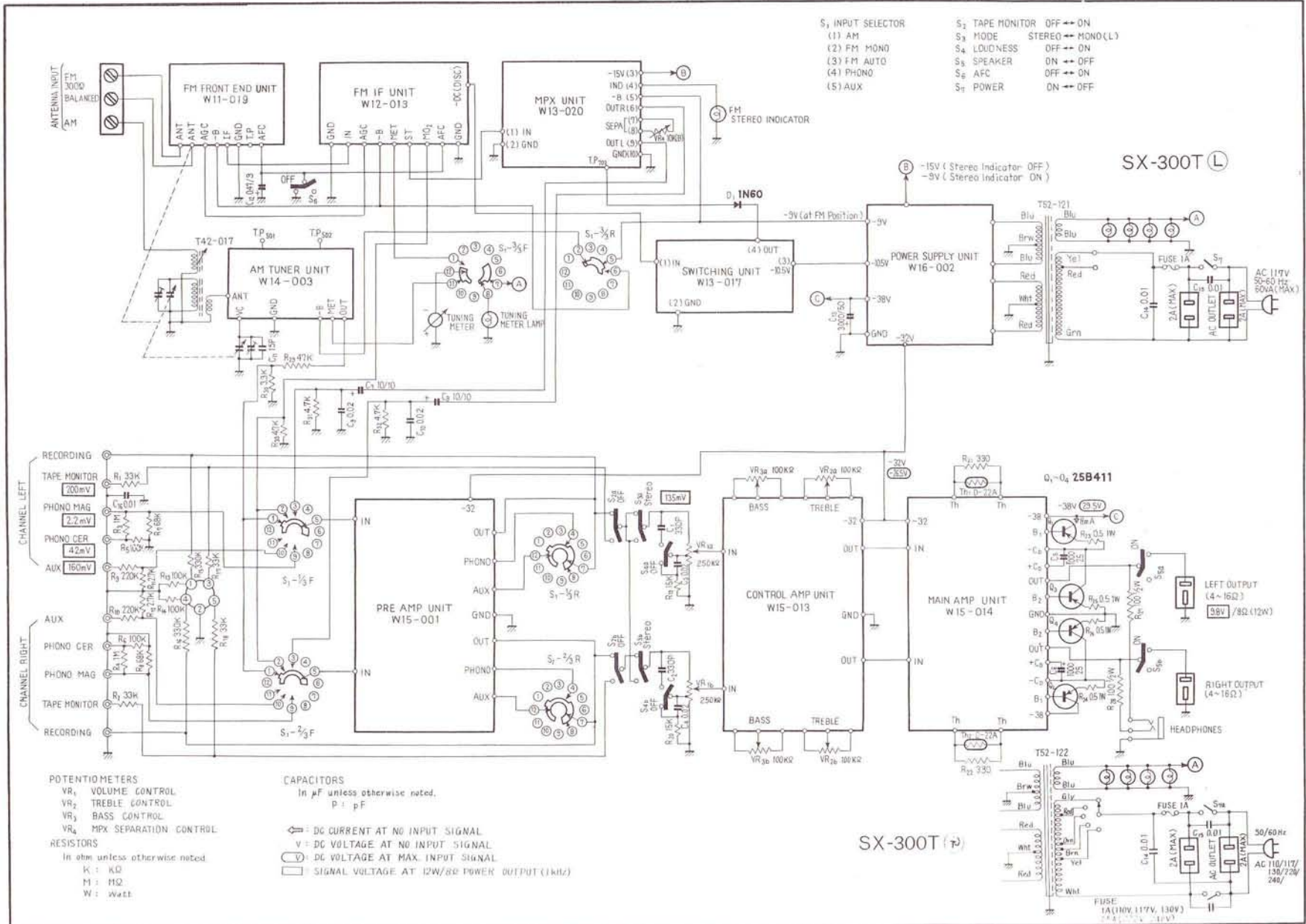


# MPX UNIT AMO155

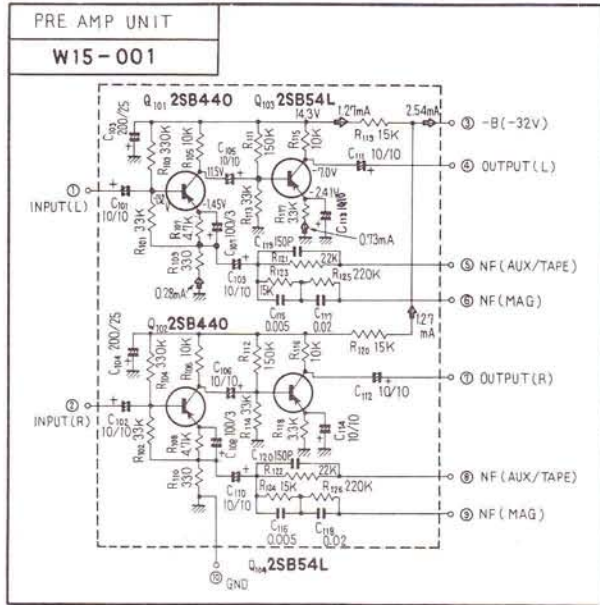




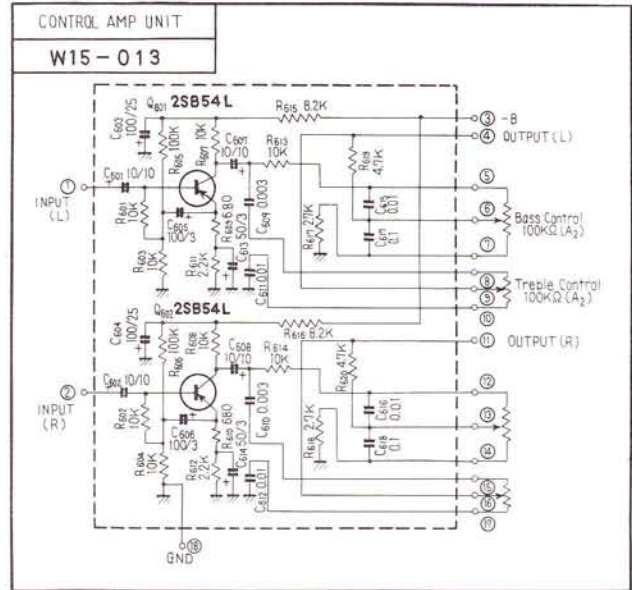
# Model SX-300T (New type)



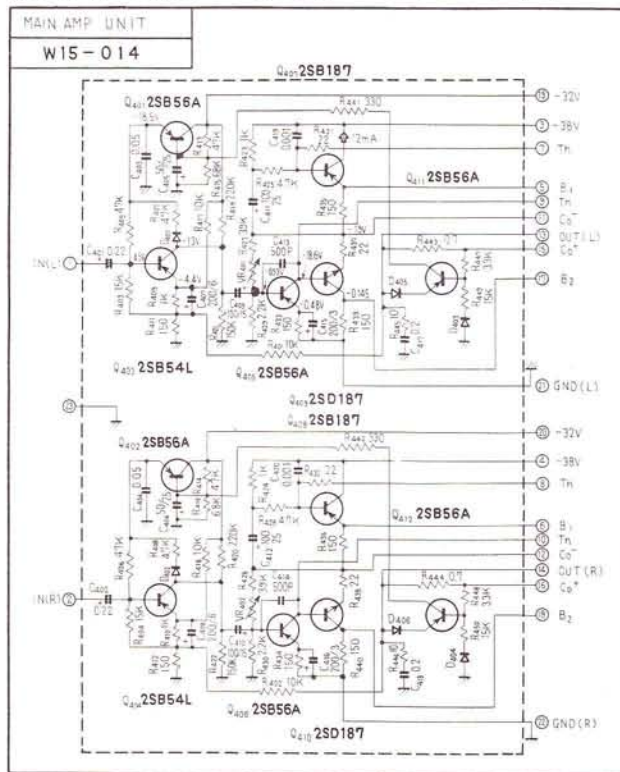
# PRE AMP UNIT W15-001



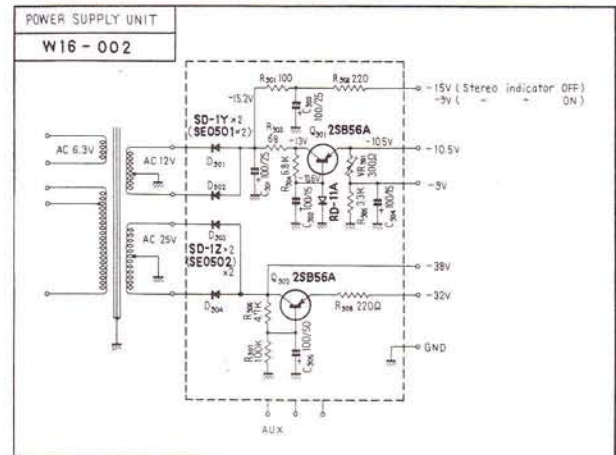
# CONTROL AMP UNIT W15-013



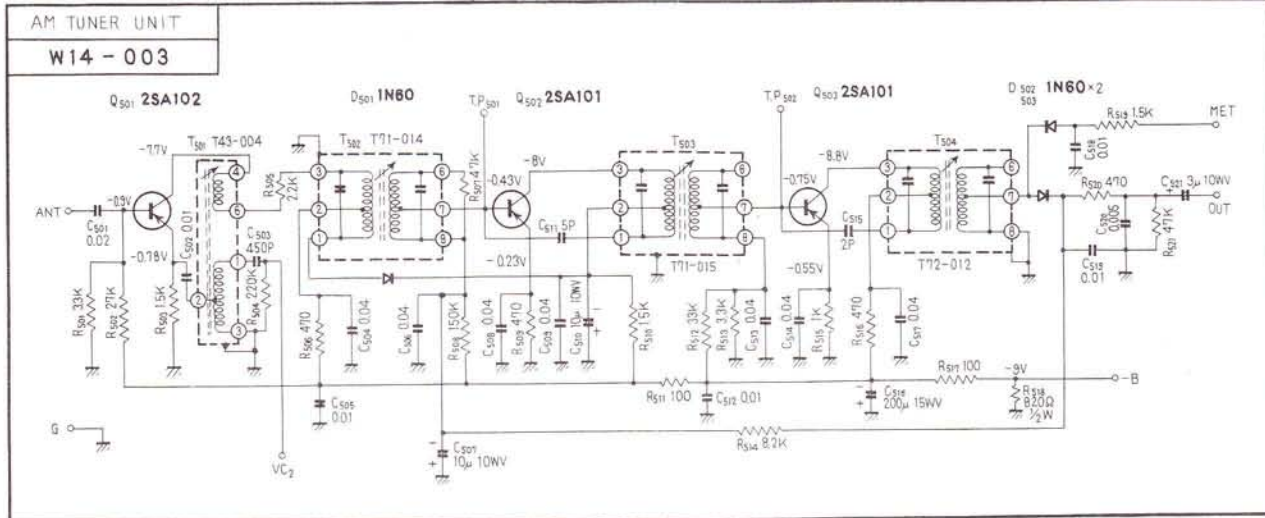
# MAIN AMP UNIT W15-014



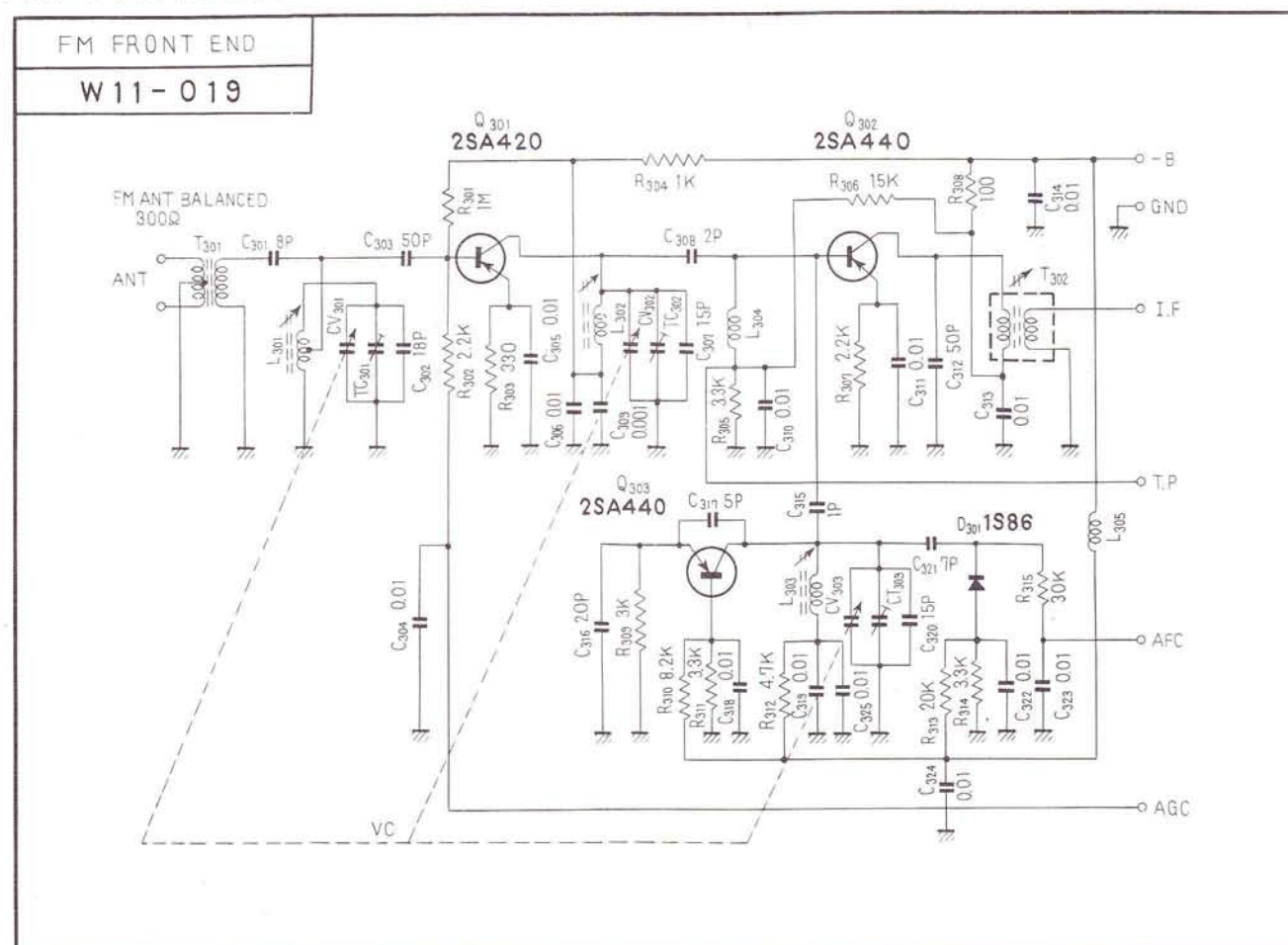
# POWER SUPPLY UNIT W16-002



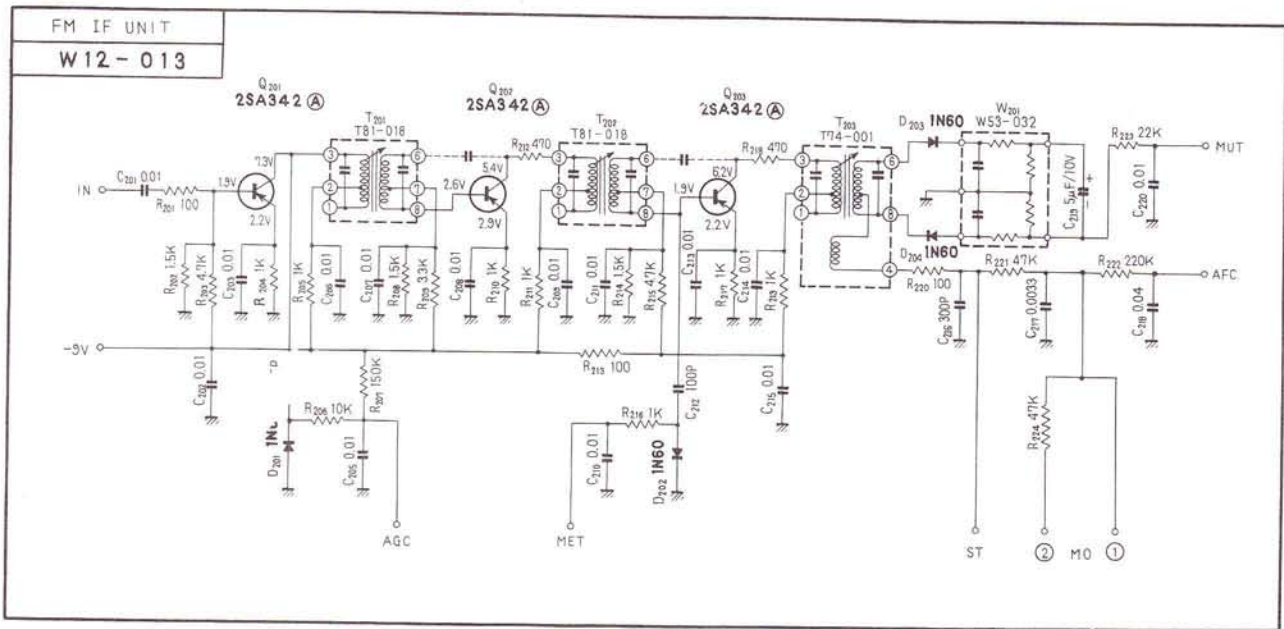
# AM TUNER UNIT W14-003



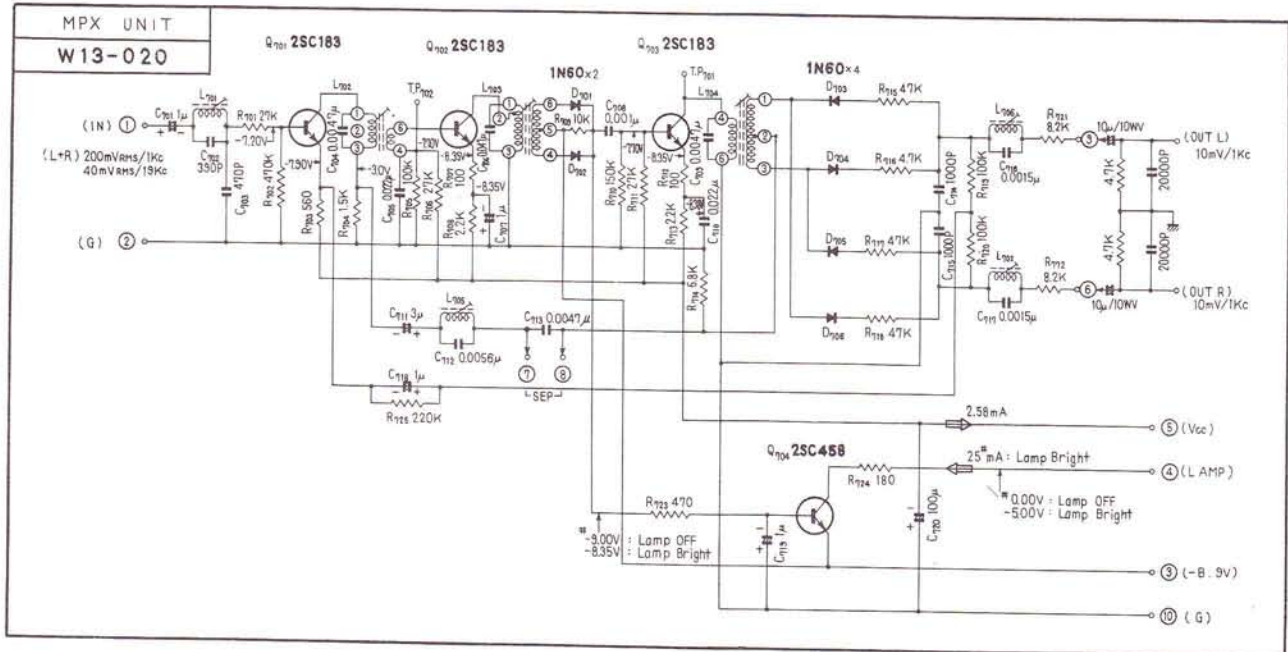
# FM FRONTEND W11-019



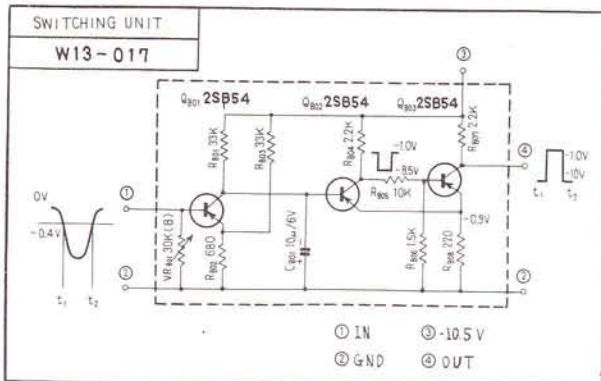
# FM IF UNIT W12-013



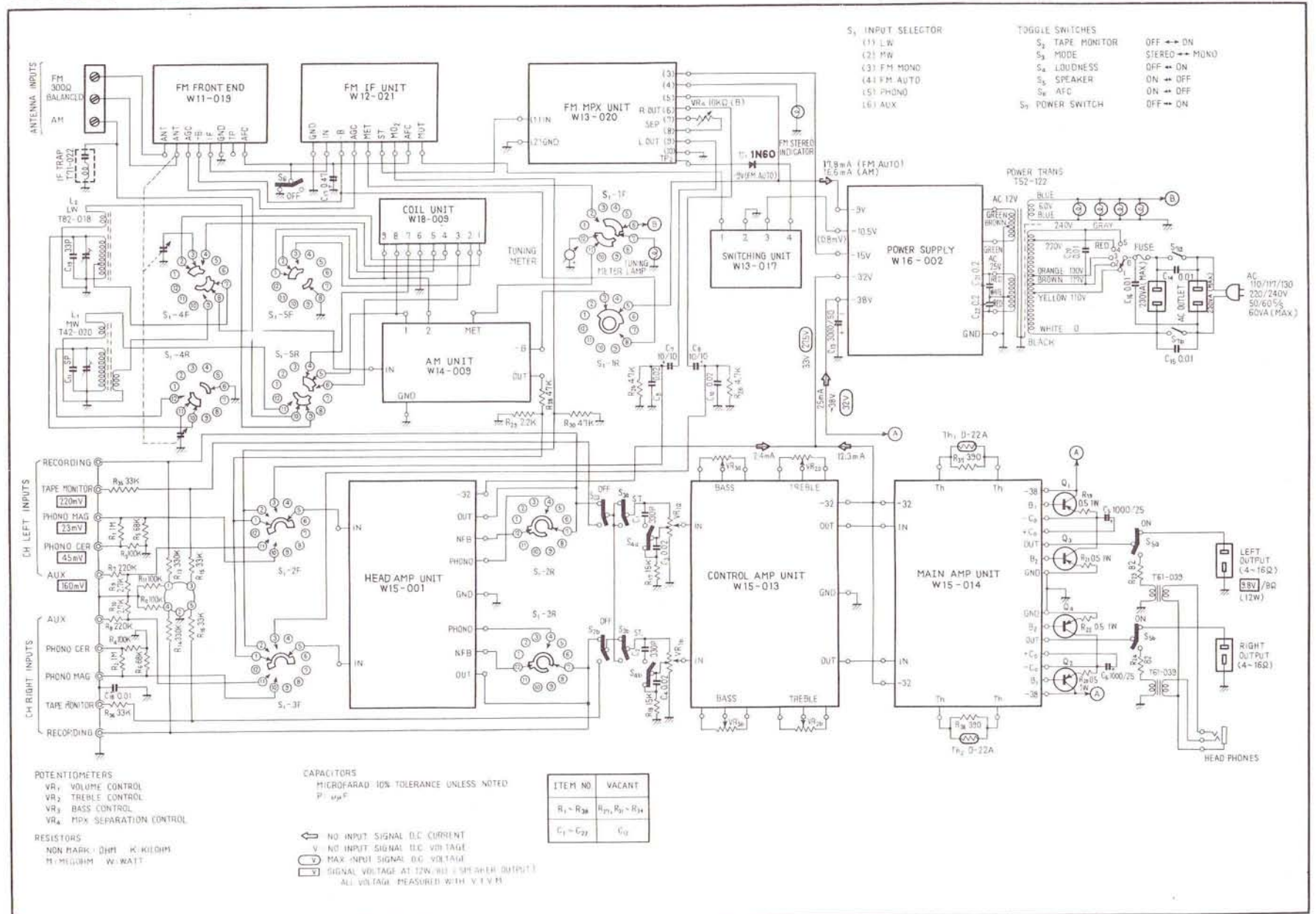
# MPX UNIT W13-020



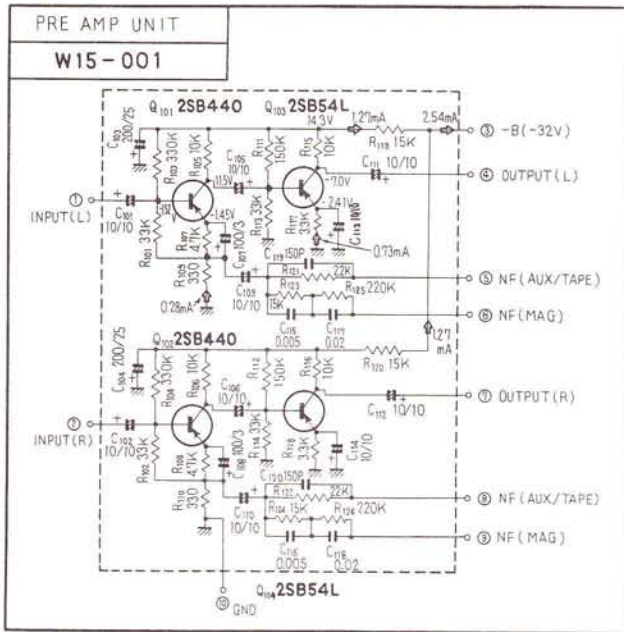
# SWITCHING UNIT W13-017



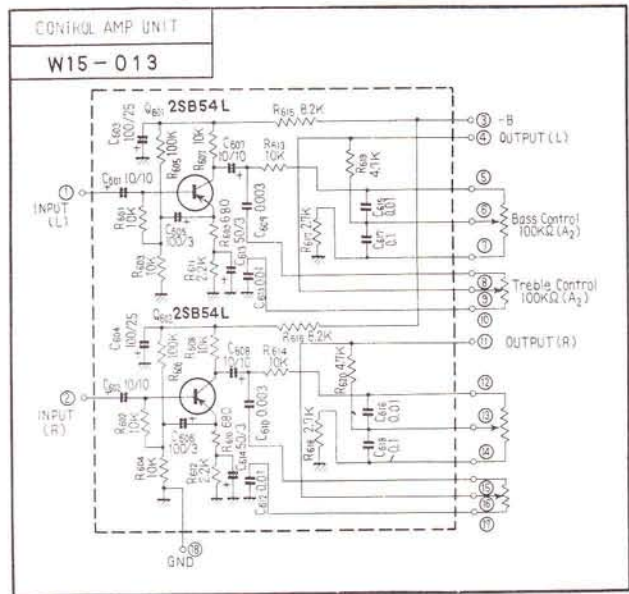
# Model LX-300T



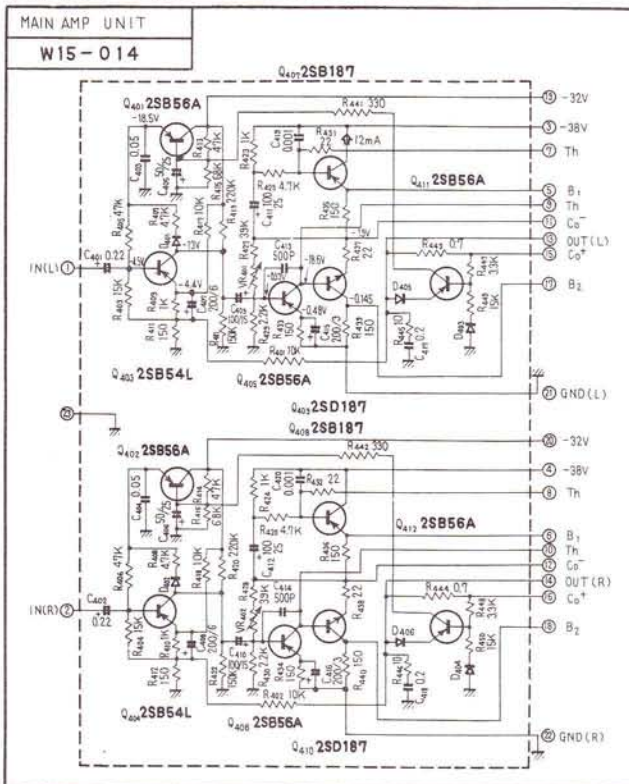
# PRE AMP UNIT W15-001



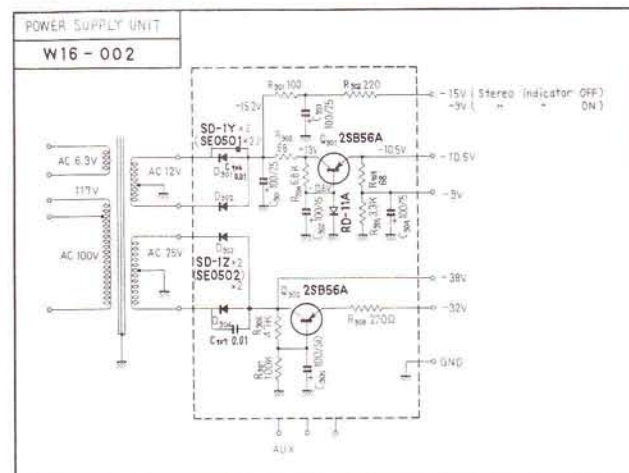
# CONTROL AMP UNIT W15-013



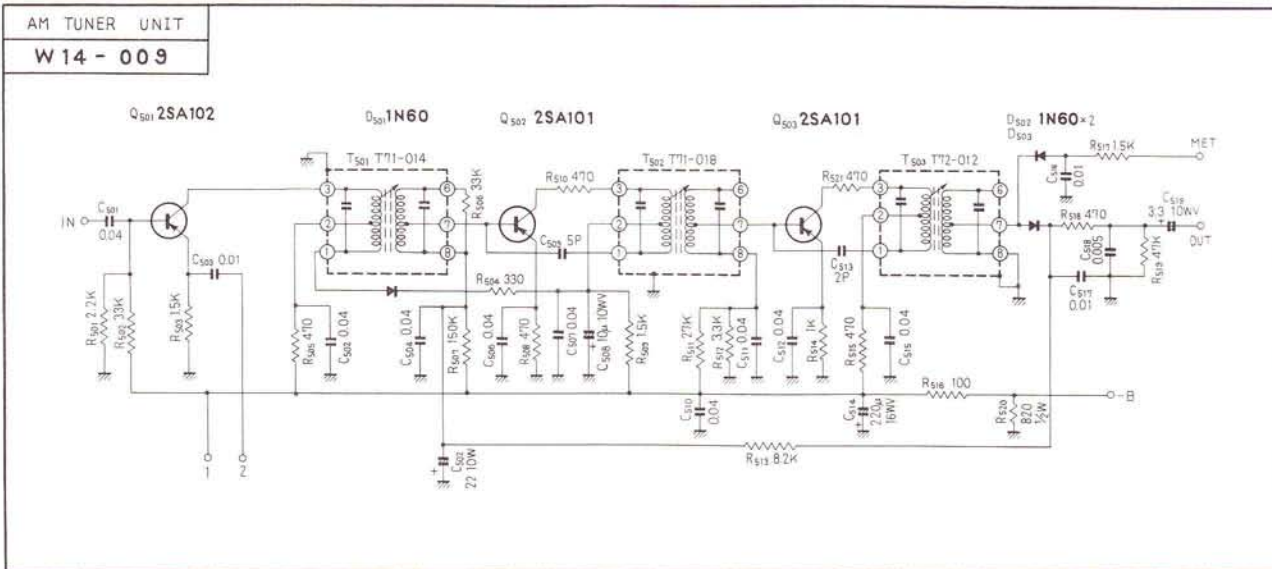
# MAIN AMP UNIT W15-014



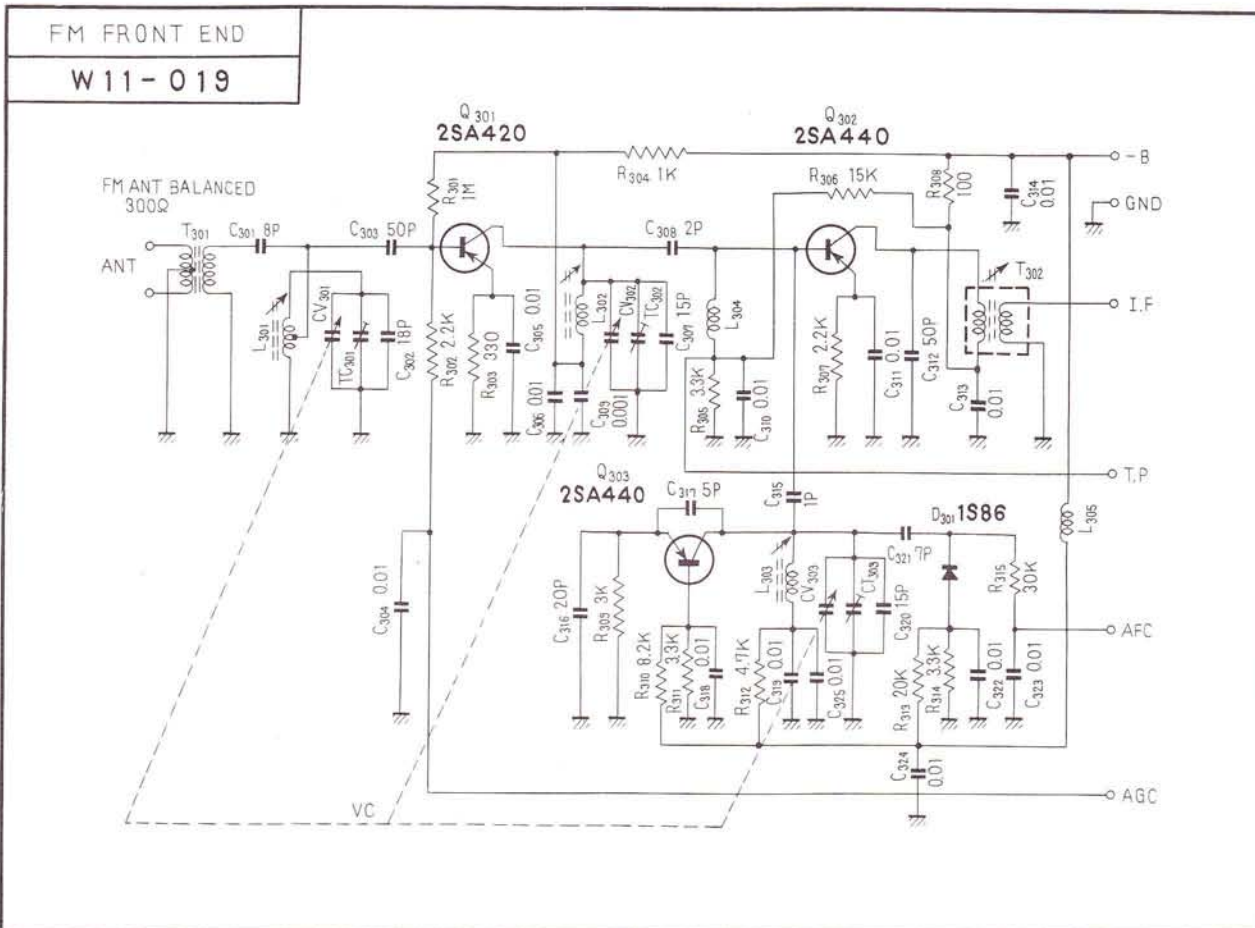
# POWER SUPPLY UNIT W16-002



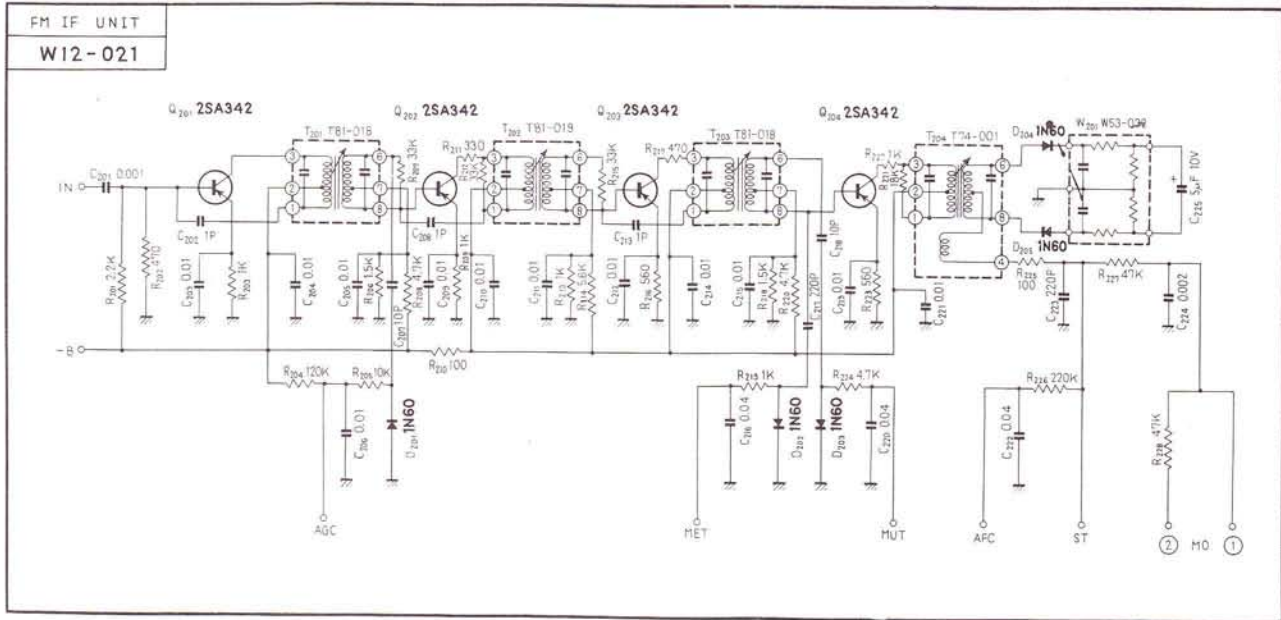
# AM TUNER UNIT W14-009



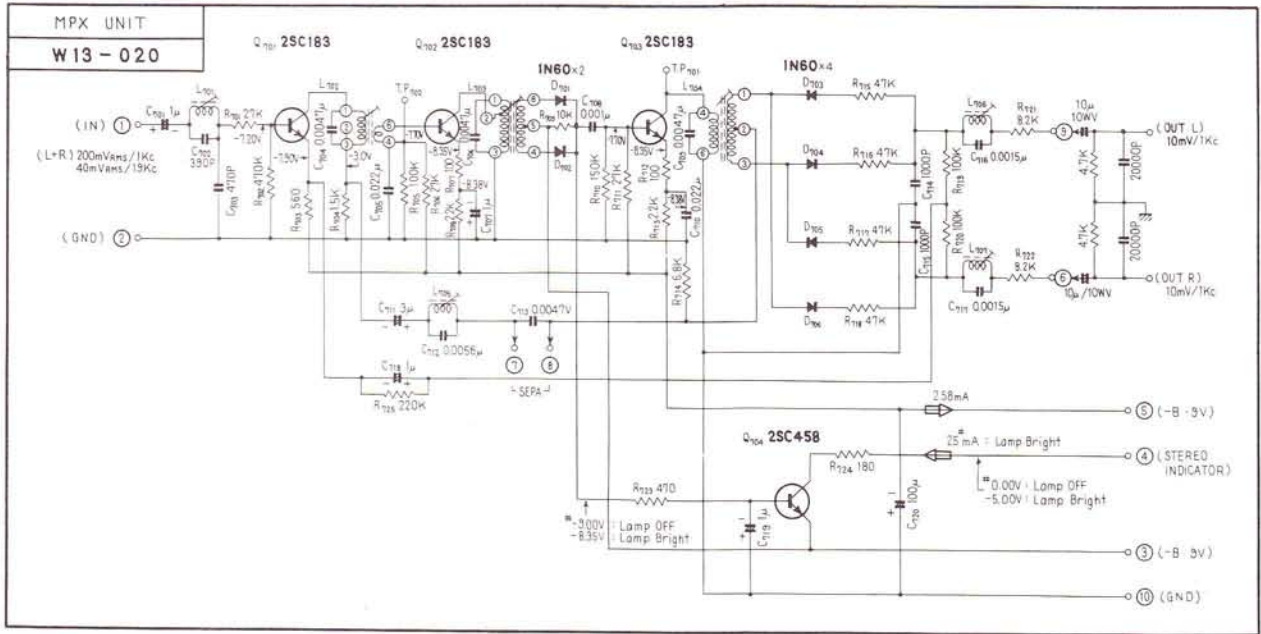
# FM FRONTEND W11-019



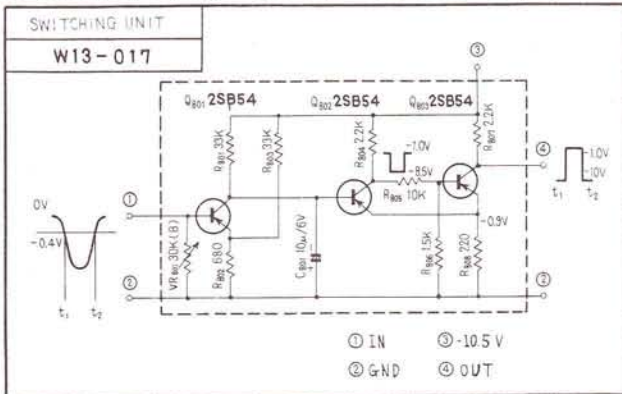
# FM IF UNIT W12-021



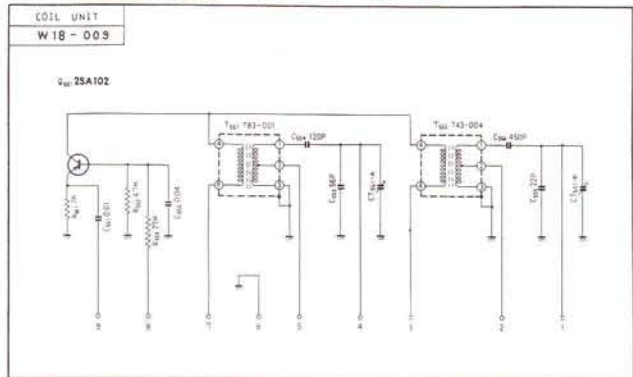
# MPX UNIT W13-020



# SWITCHING UNIT W13-017

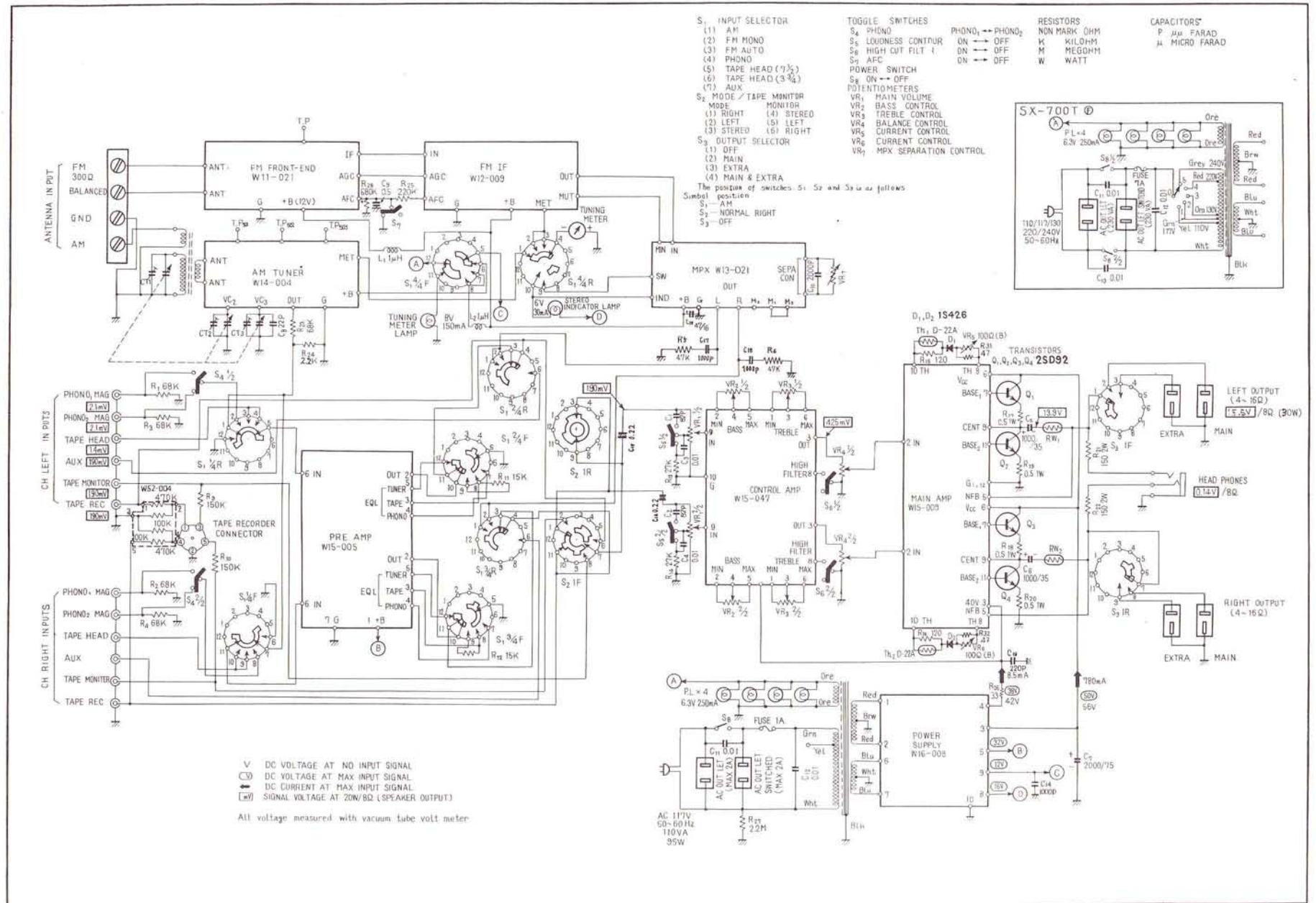


# COIL UNIT W18-009

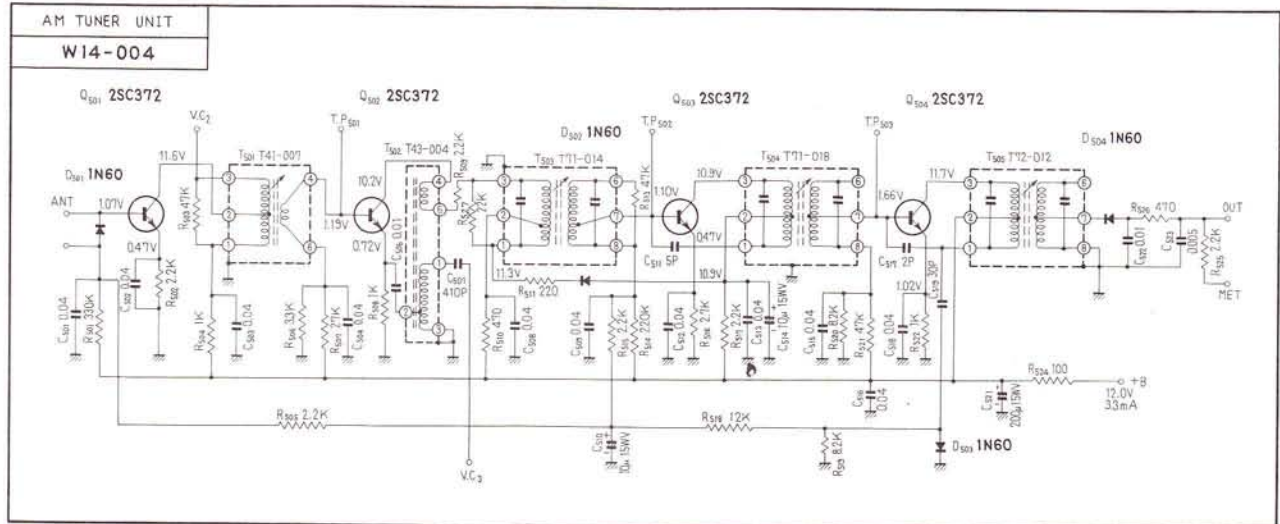




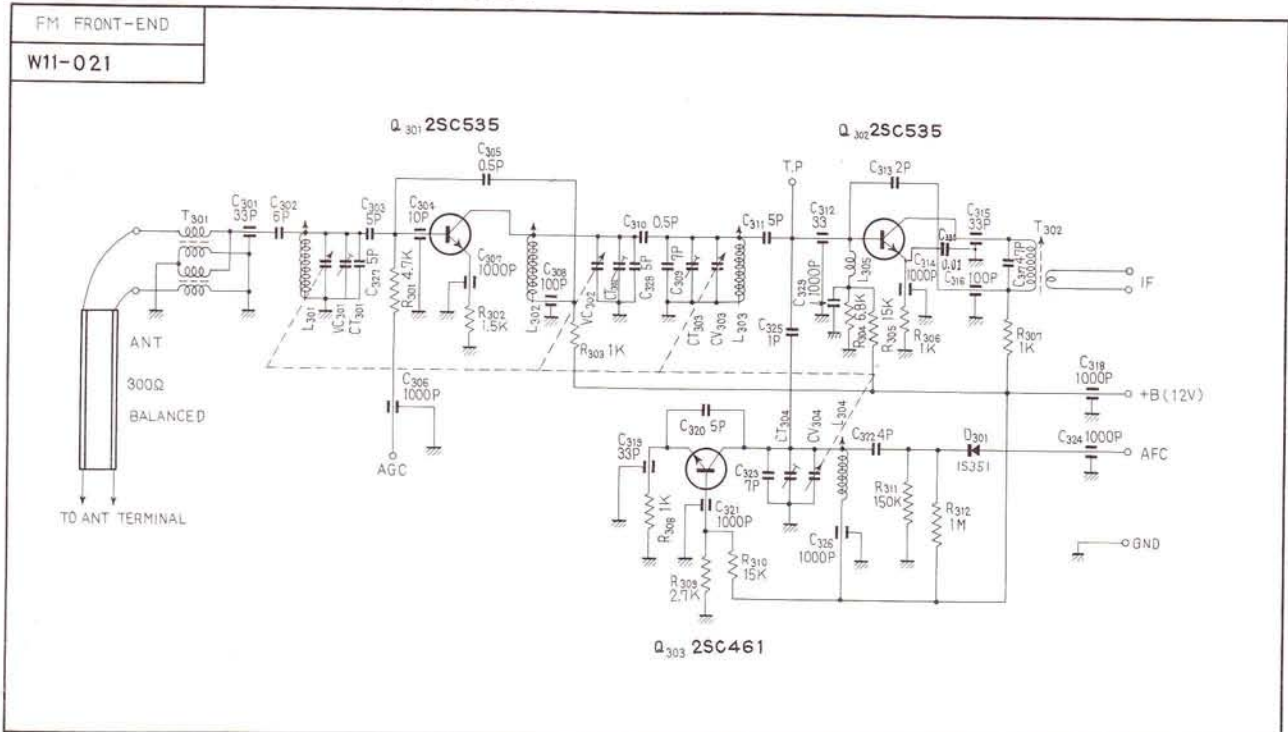
# Model SX-700T, SX-700<sup>®</sup>



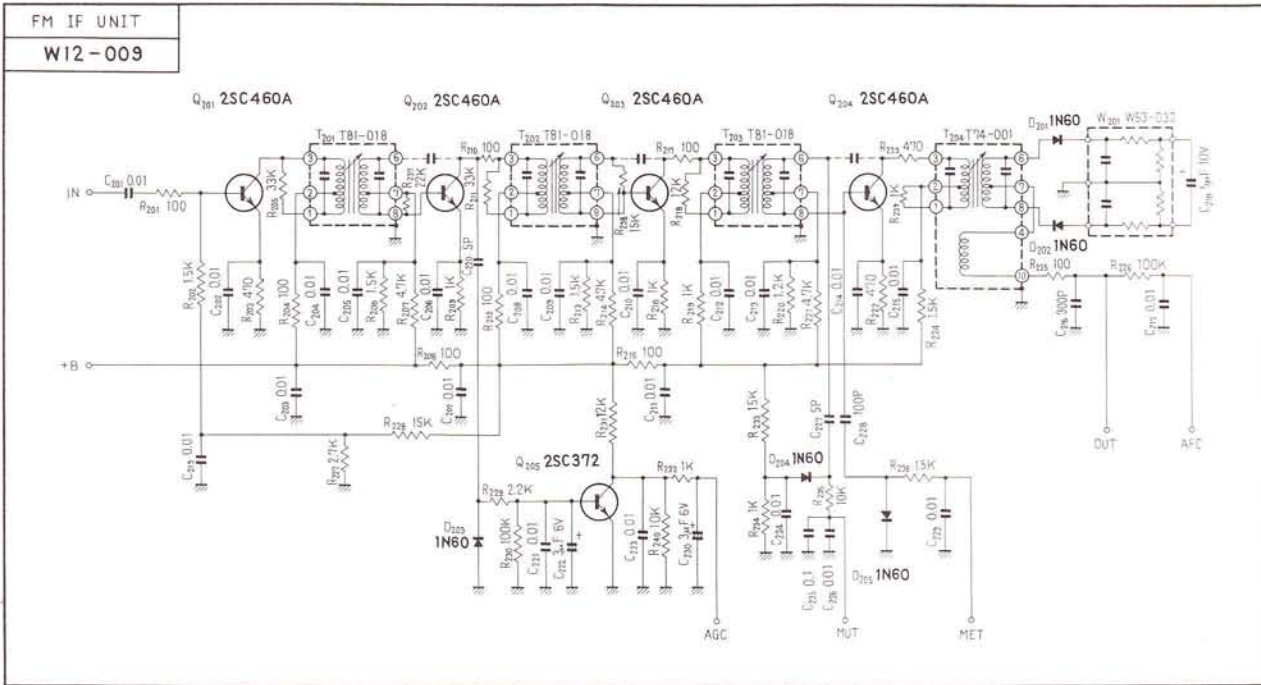
# AM TUNER UNIT W14-004



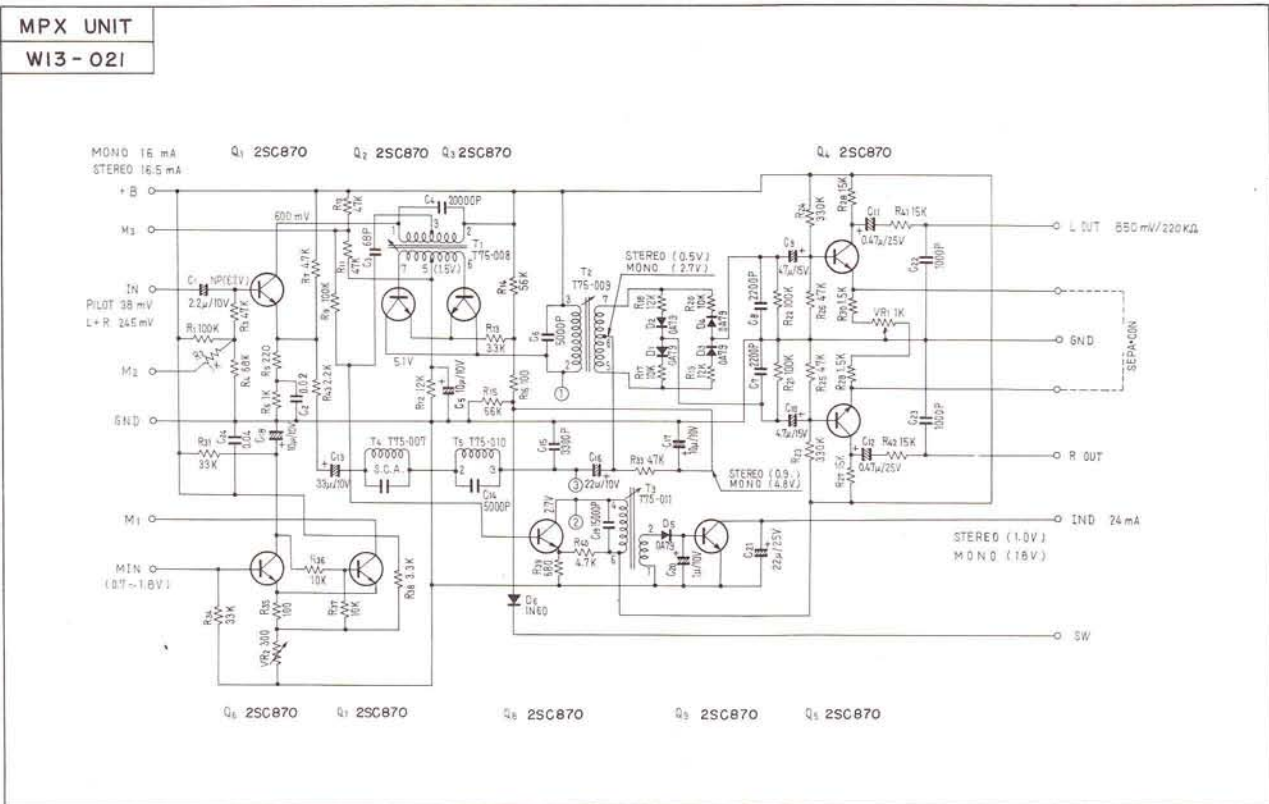
# FM FRONTEND W11-021



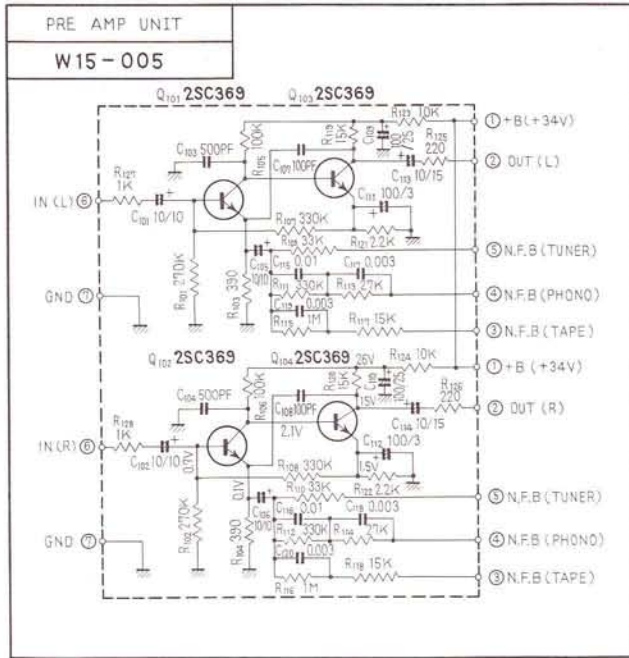
# FM IF UNIT W12-009



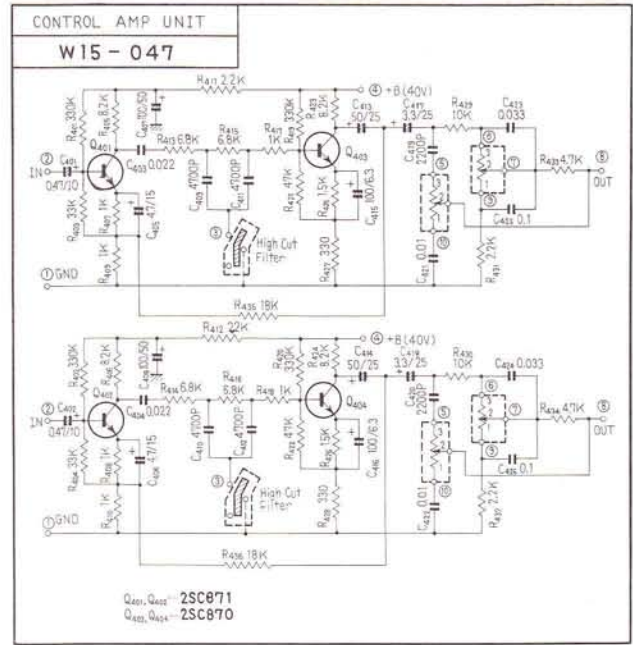
# MPX UNIT W13-021



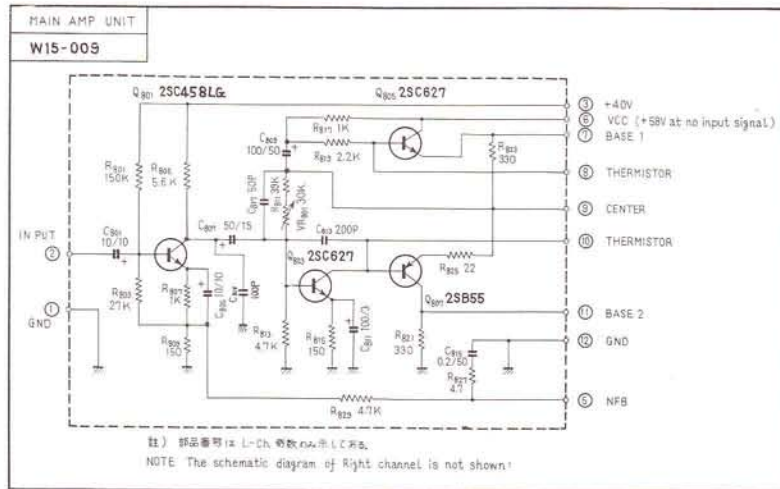
# PRE AMP UNIT W15-005



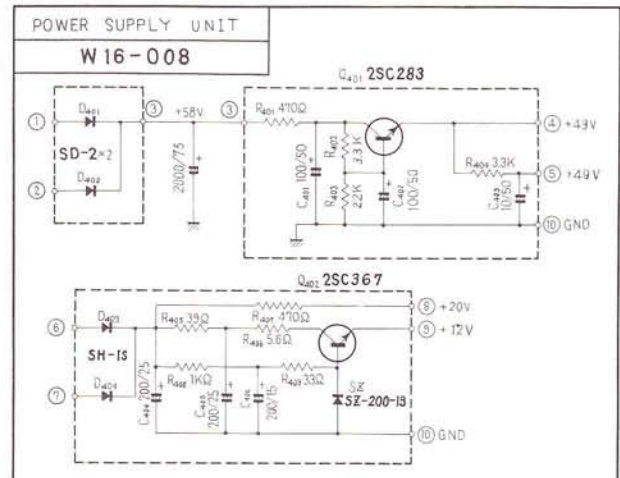
# CONTROL AMP UNIT W15-047



# MAIN AMP UNIT W15-009



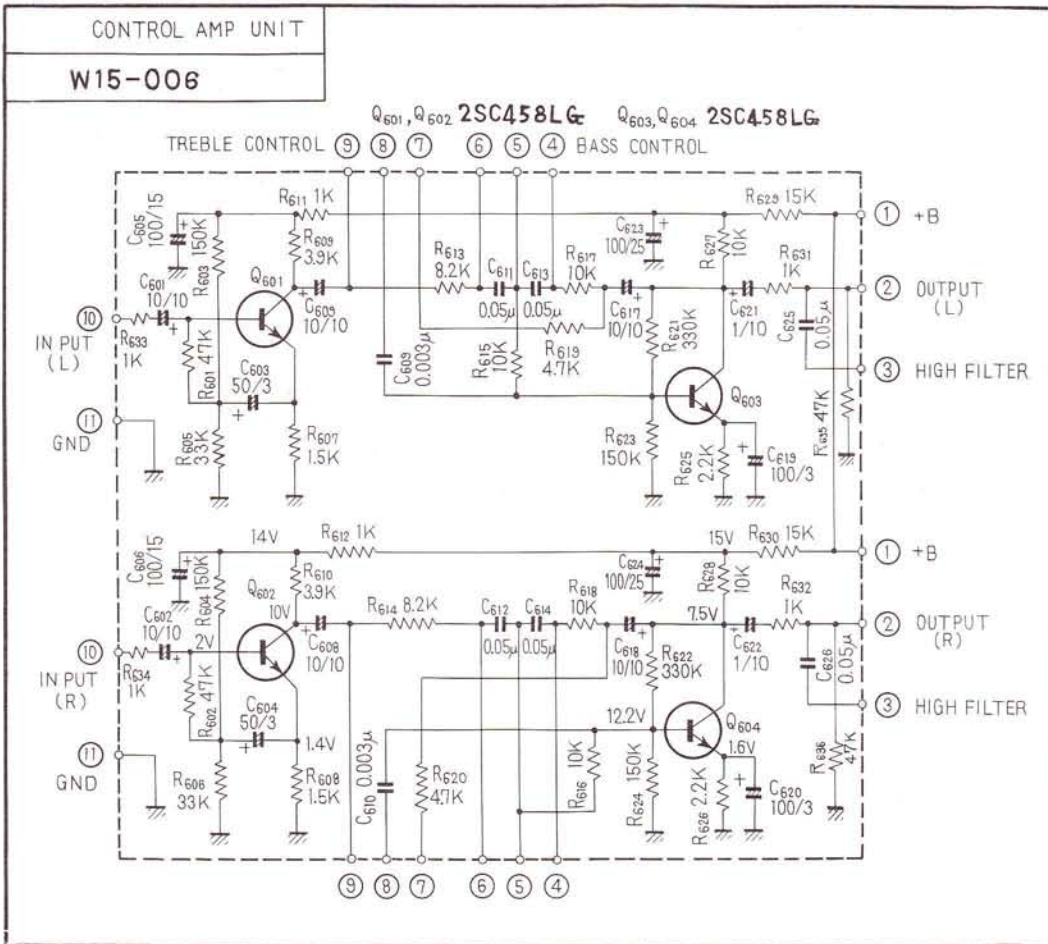
# POWER SUPPLY UNIT W16-008



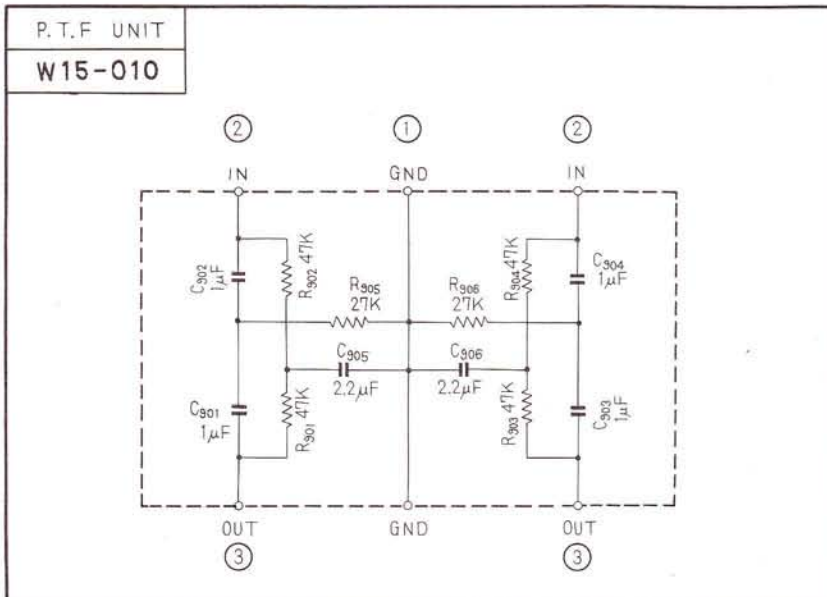
**NOTE:**

If your set is provided with the CONTROL AMP UNIT and the FILTER UNIT separately, refer to the following circuit diagrams.

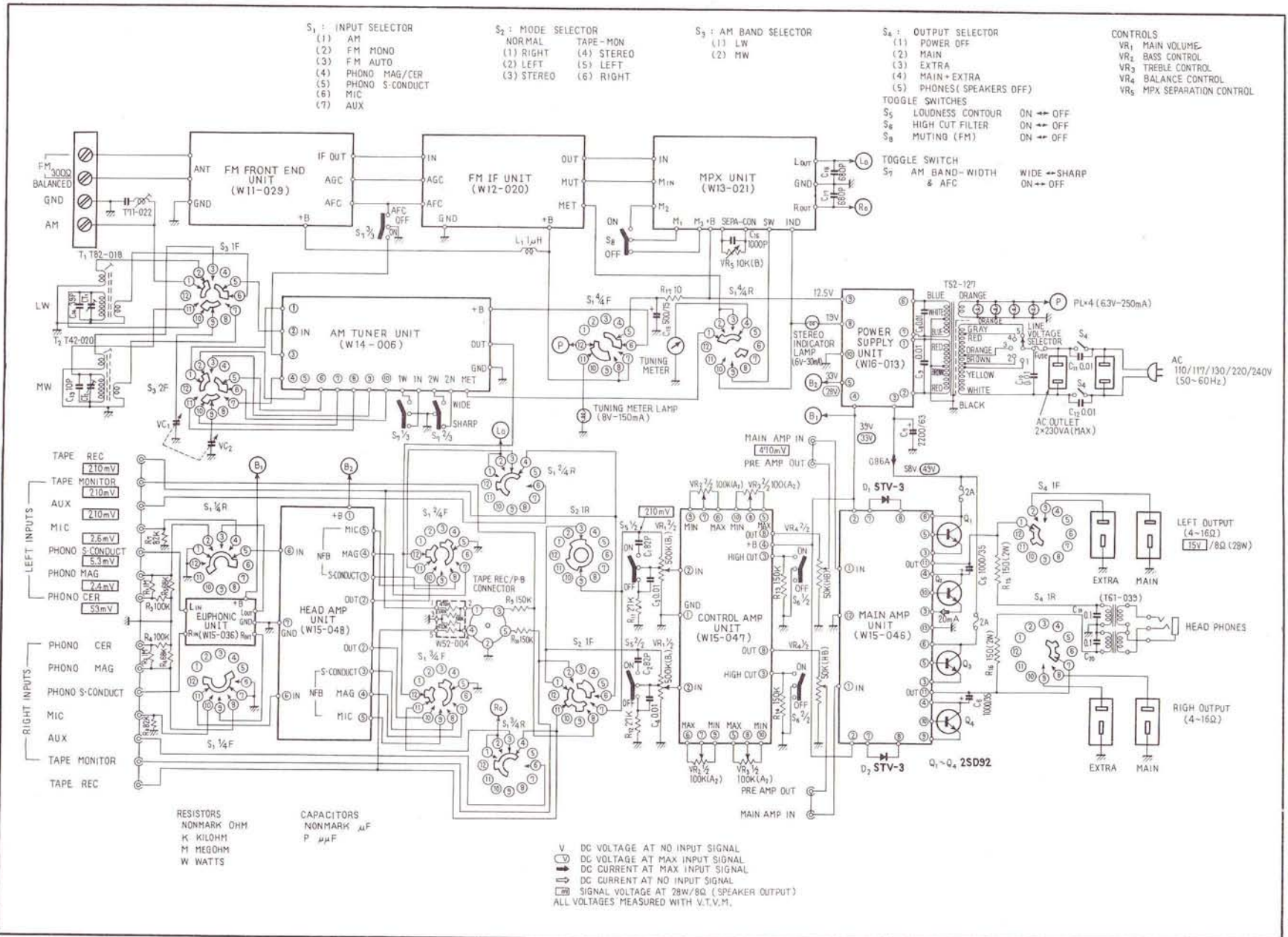
**CONTROL AMP UNIT W15-006**



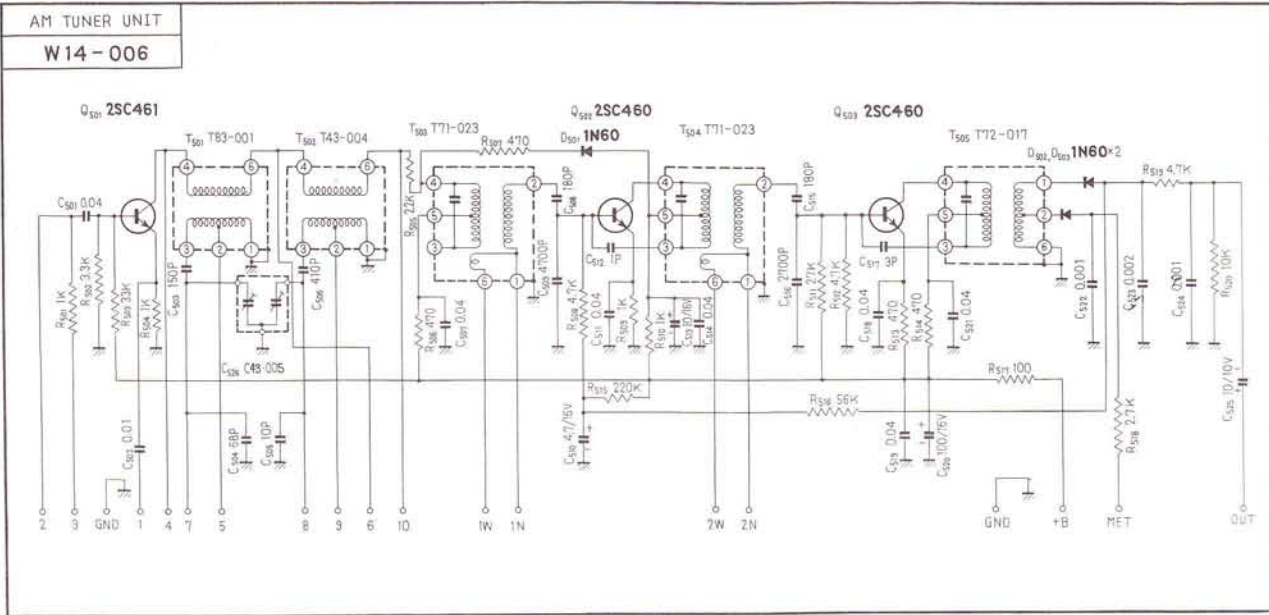
**P.T.F. UNIT W15-010**



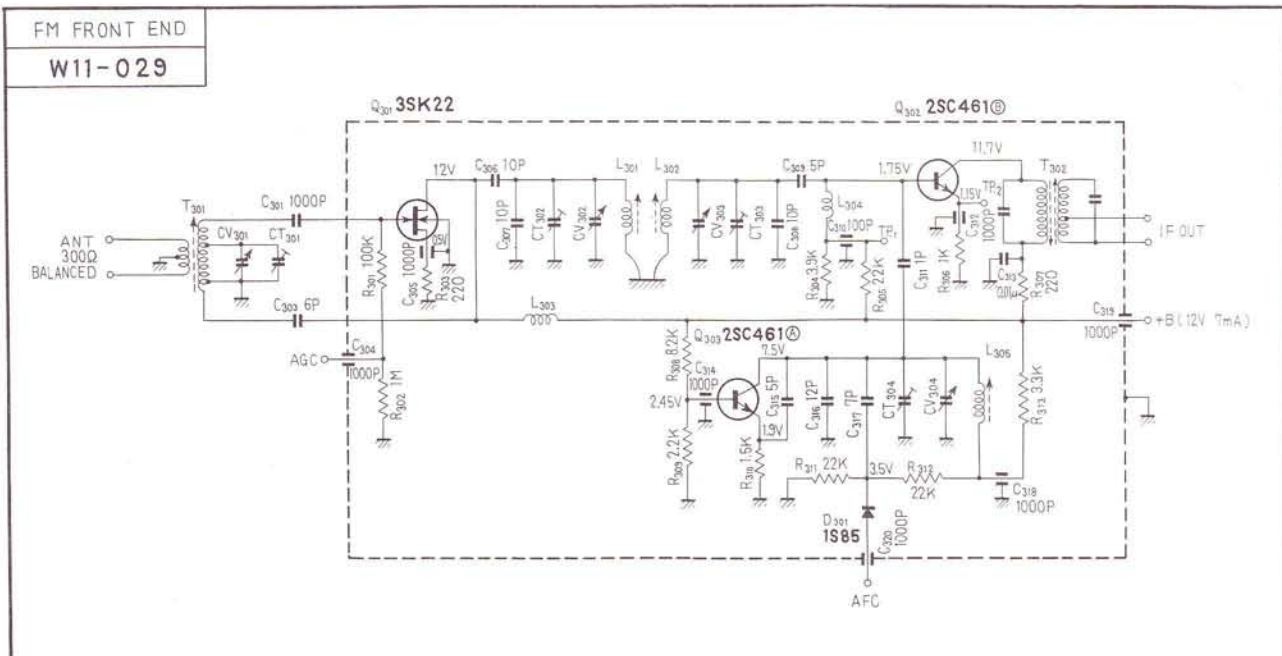
# Model LX-800T



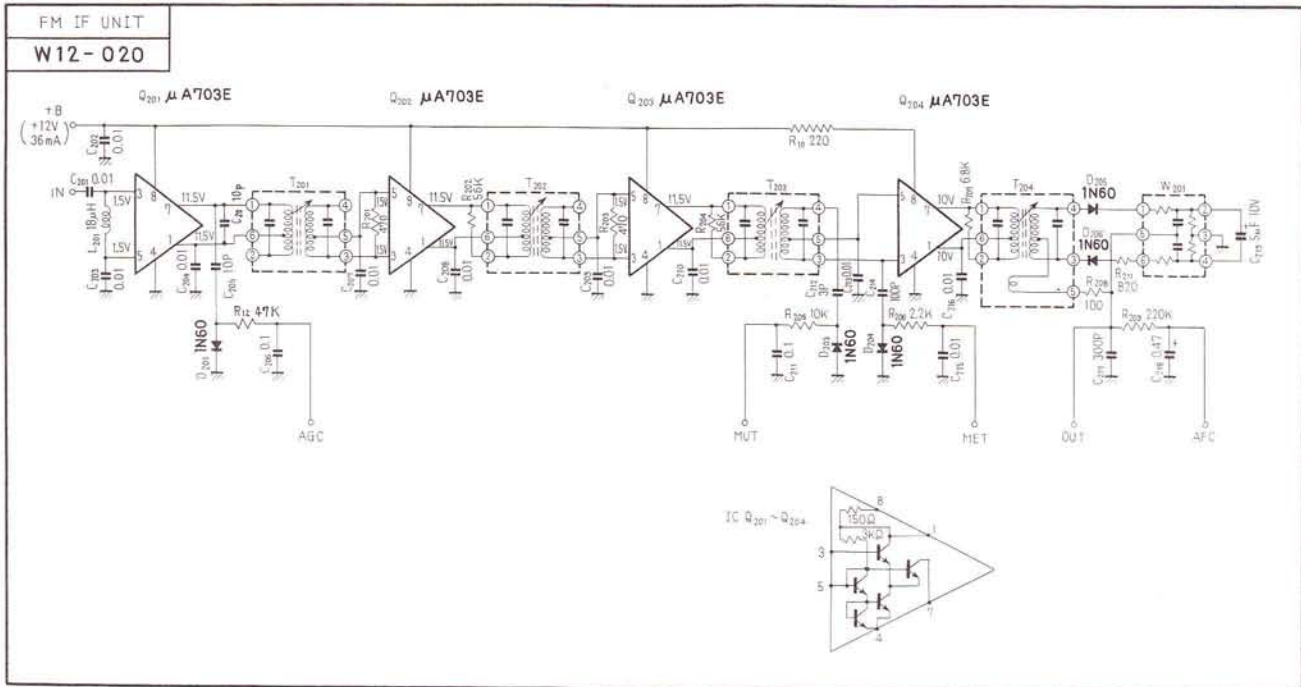
# AM TUNER UNIT W14-006



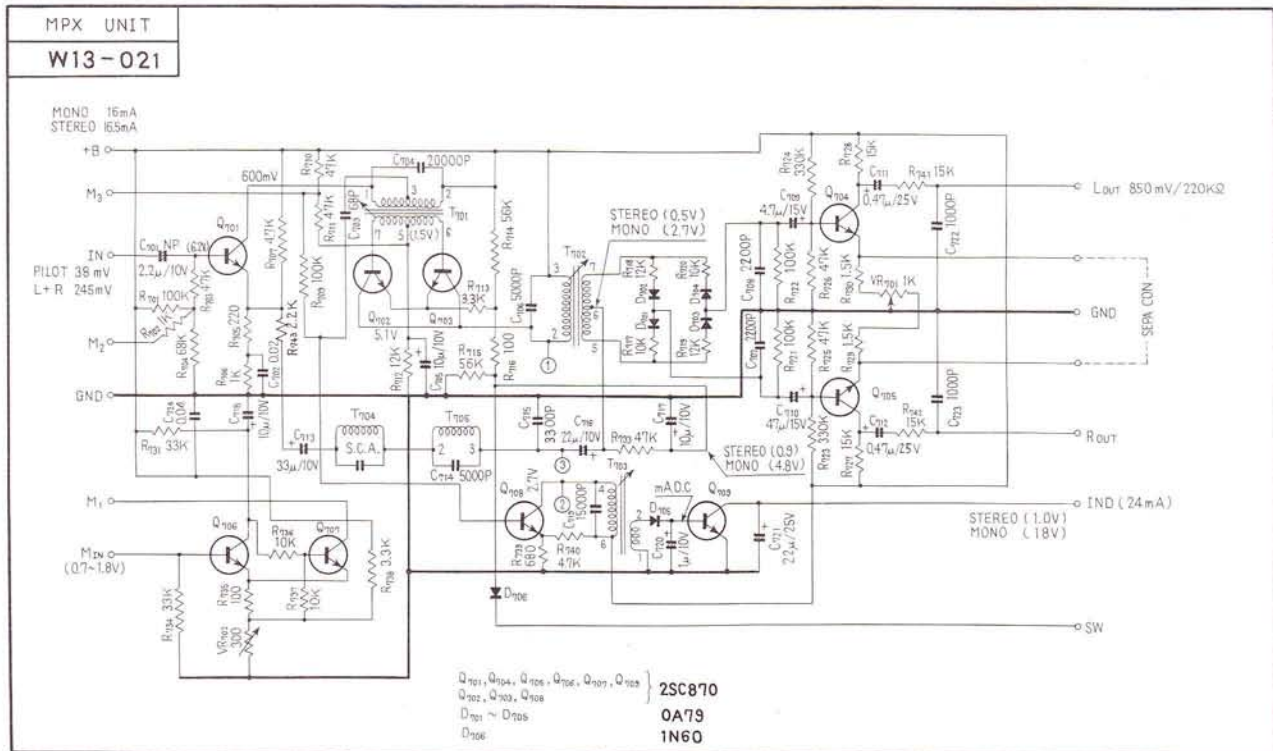
# FM FRONTEND W11-029



# FM IF UNIT W12-020

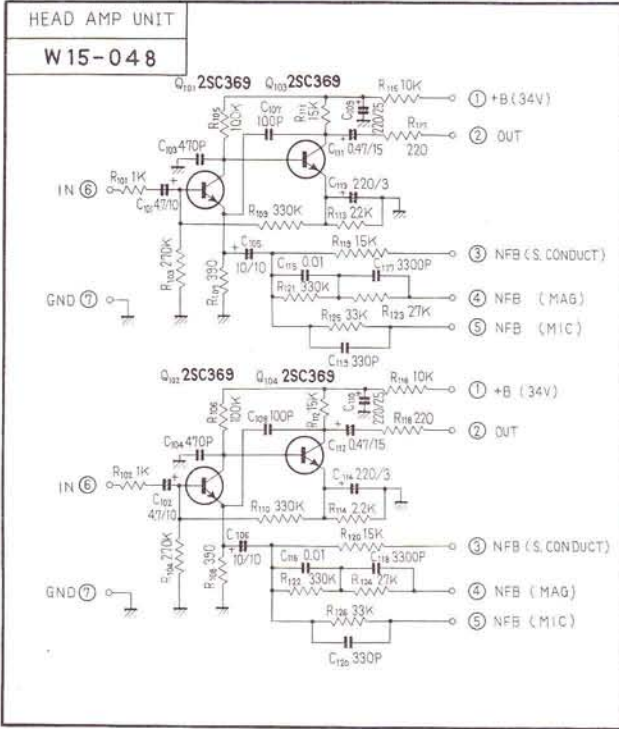


# MPX UNIT W13-021

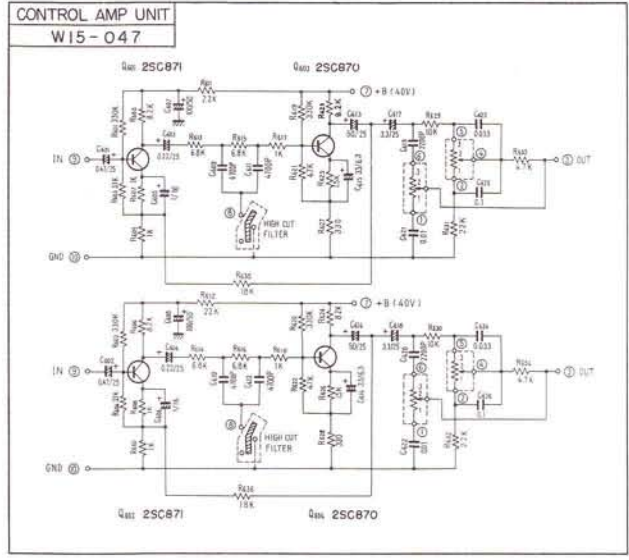




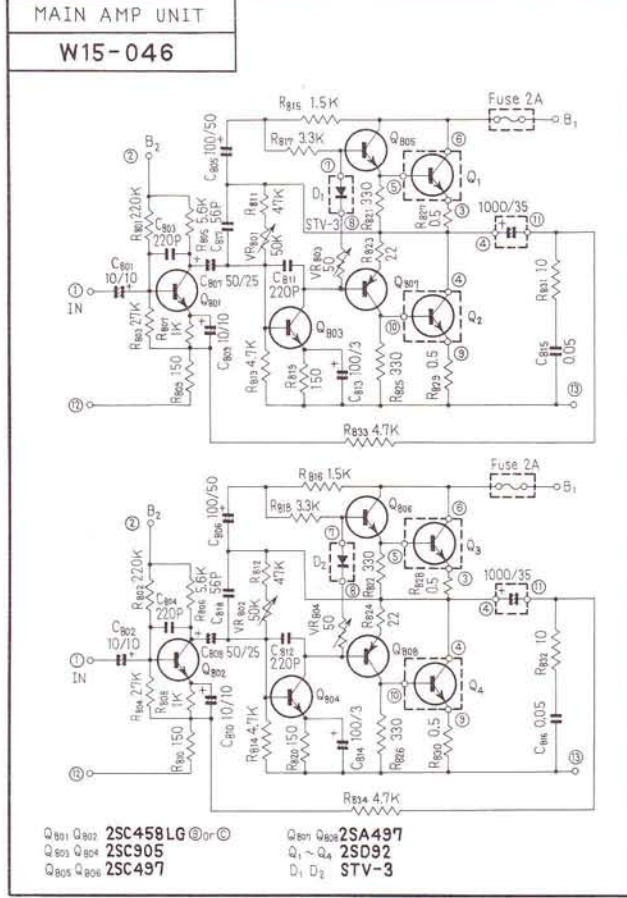
# HEAD AMP UNIT W15-048



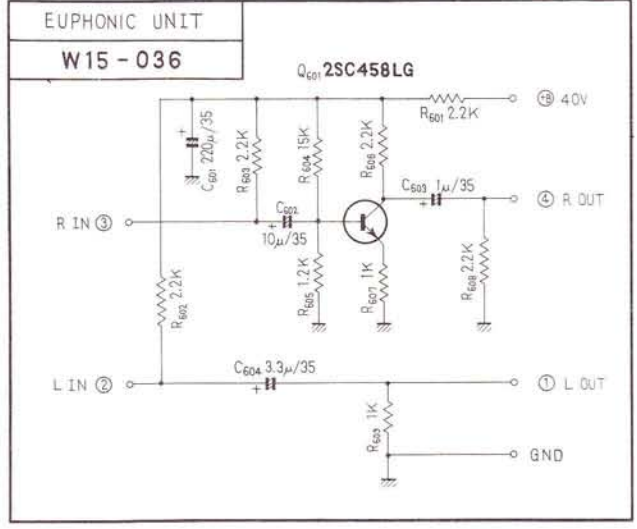
# CONTROL AMP UNIT W15-047



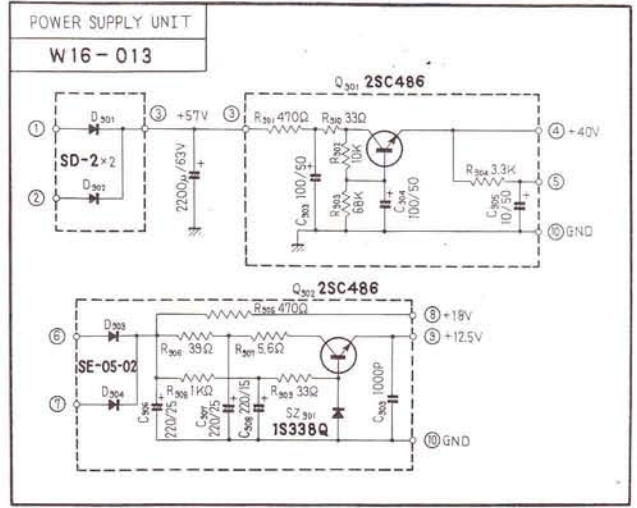
# MAIN AMP UNIT W15-046



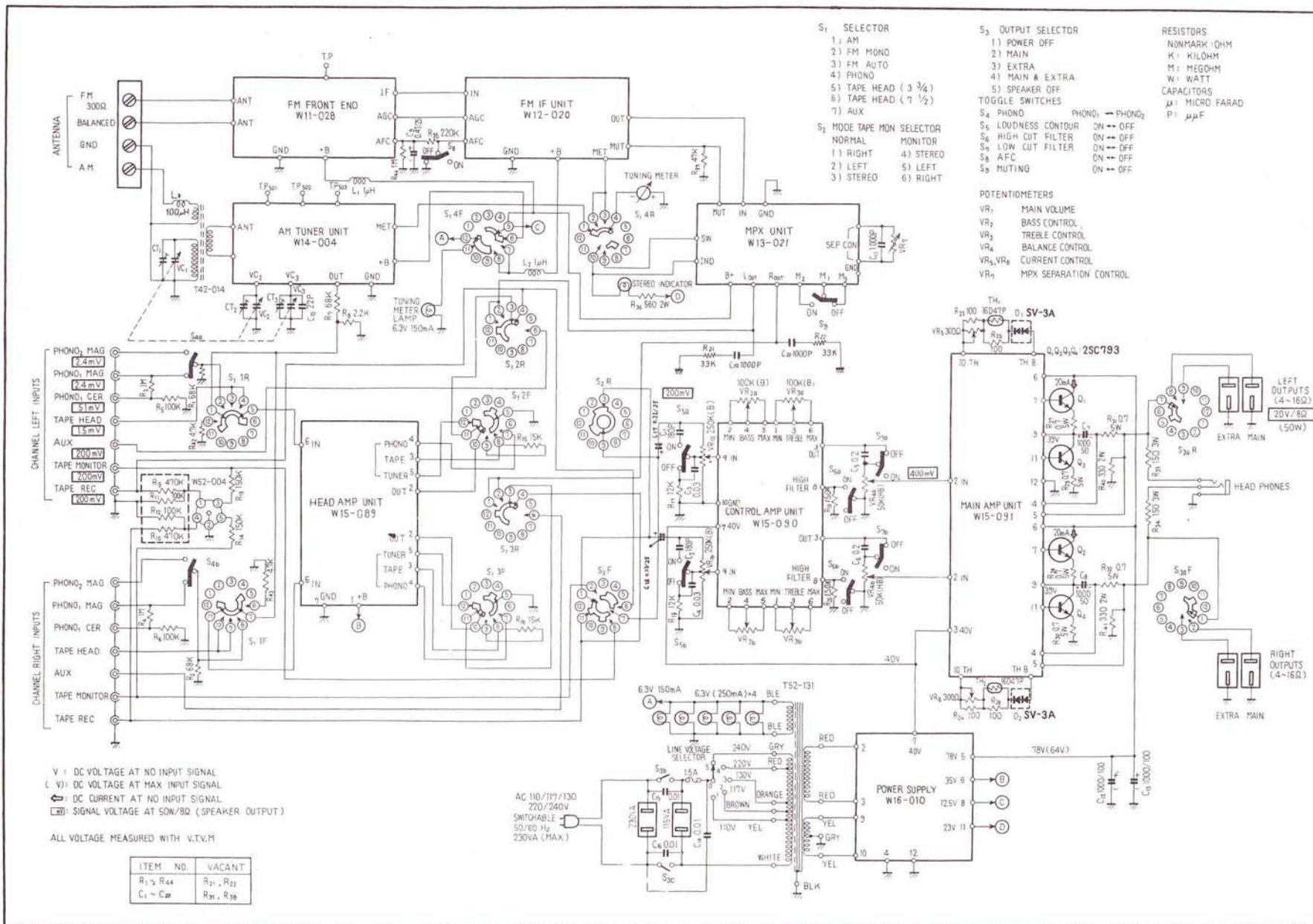
# EUPHONIC UNIT W15-036



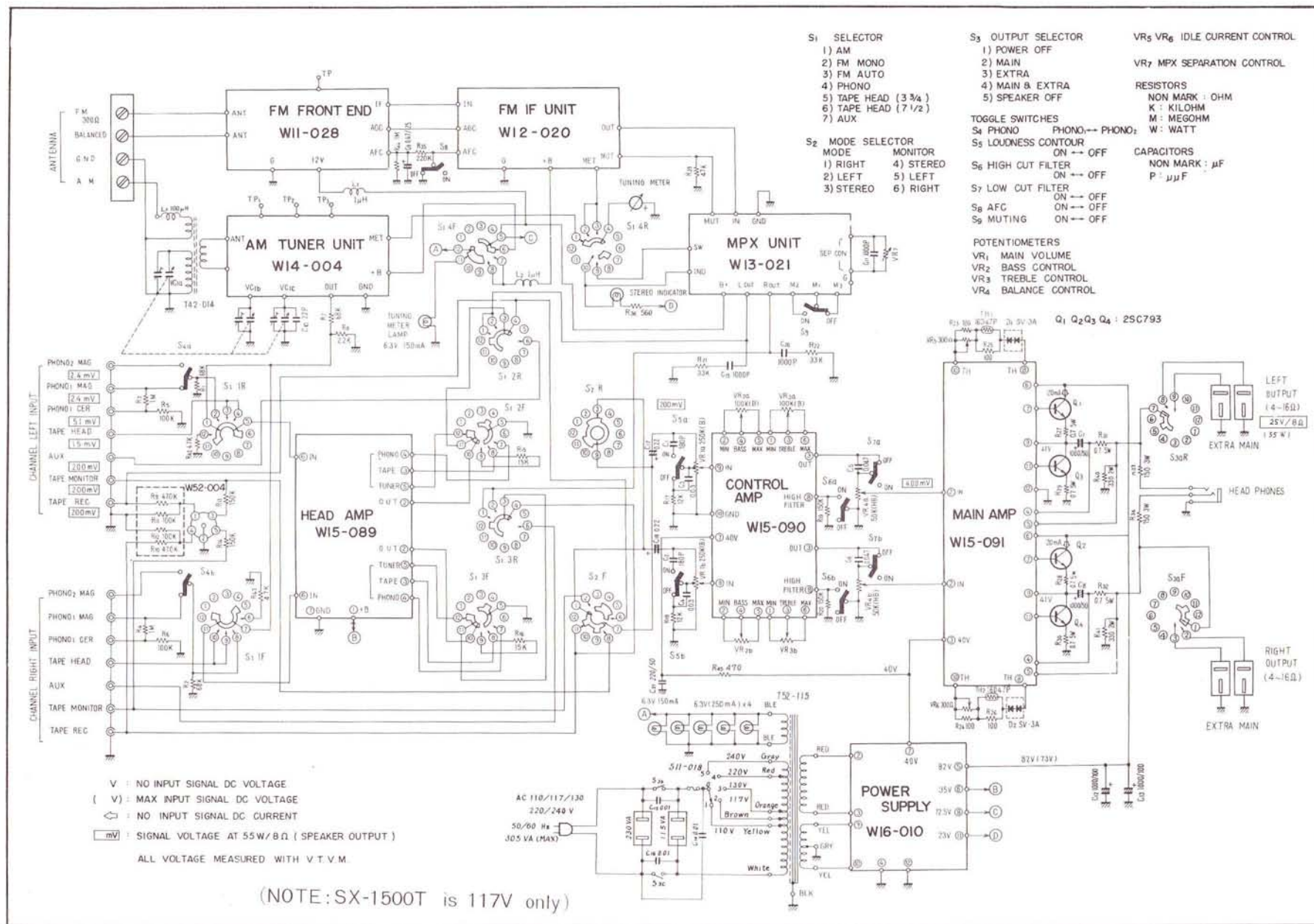
# POWER SUPPLY UNIT W16-013



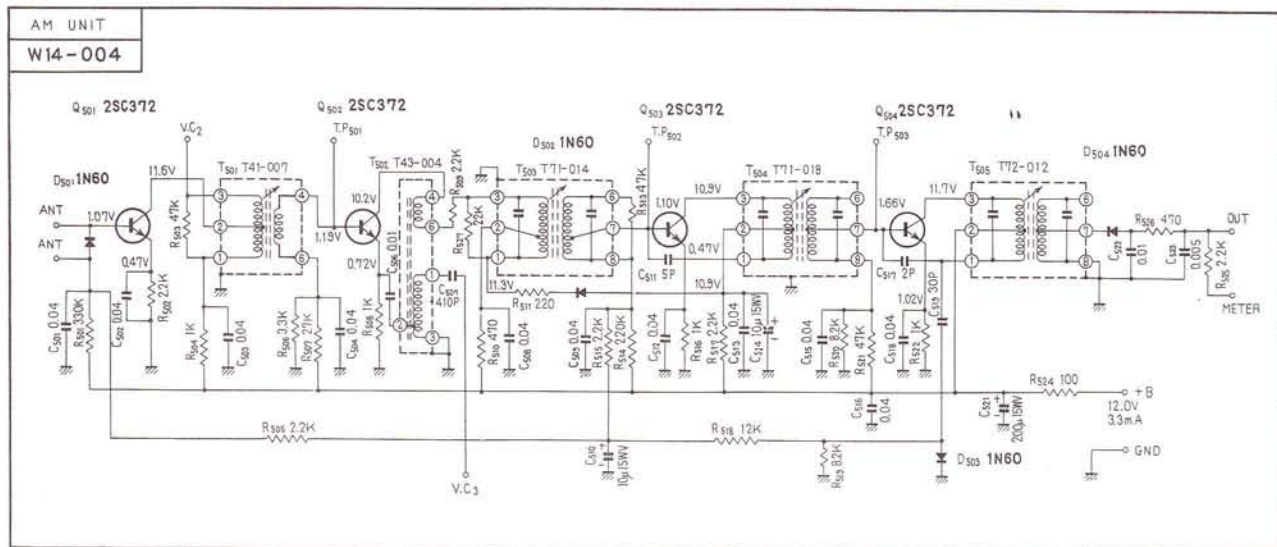
# Model SX-1000TD $\text{\textcircled{F}}$ , SX-1000TW / FW



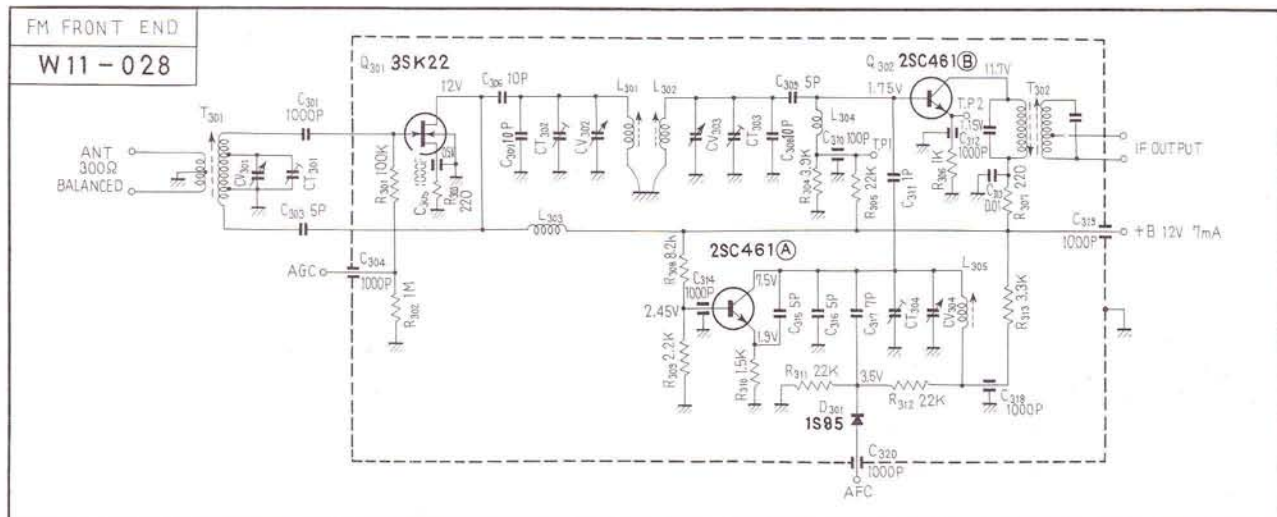
# Model SX-1500T<sup>®</sup>, SX-1500T



# AM TUNER UNIT W14-004

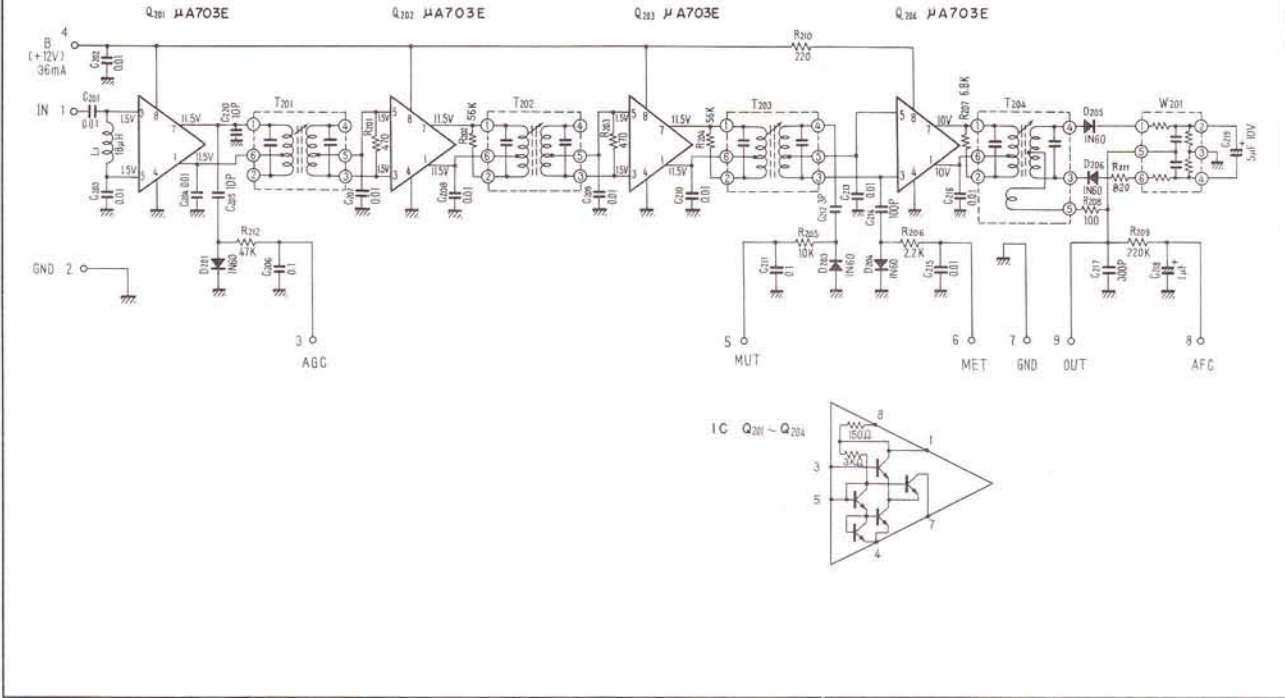


# FM FRONTEND W11-028



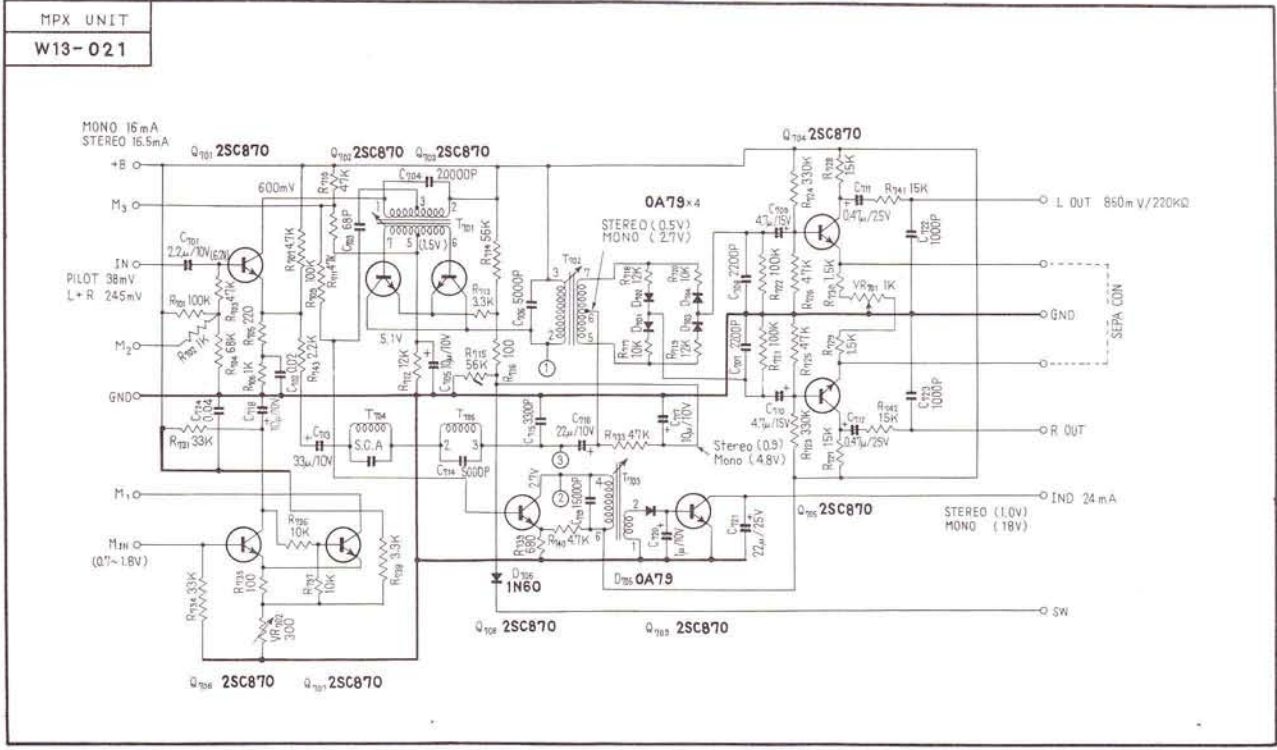
# FM IF UNIT W12-020

FM IF UNIT  
W12-020

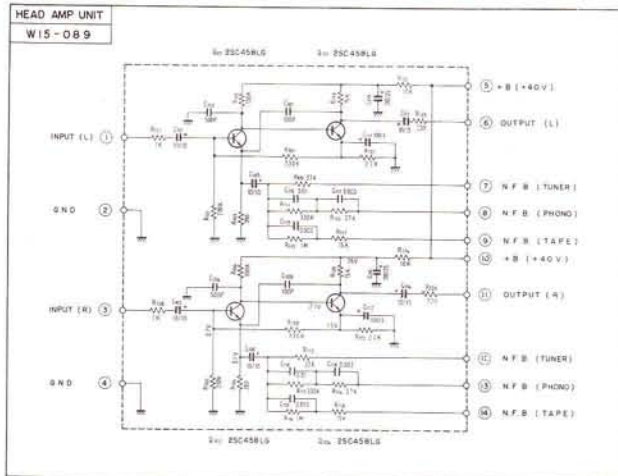


# MPX UNIT W13-021

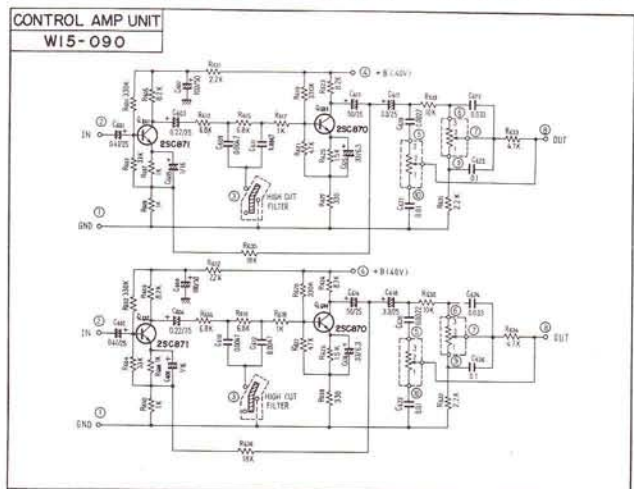
MPX UNIT  
W13-021



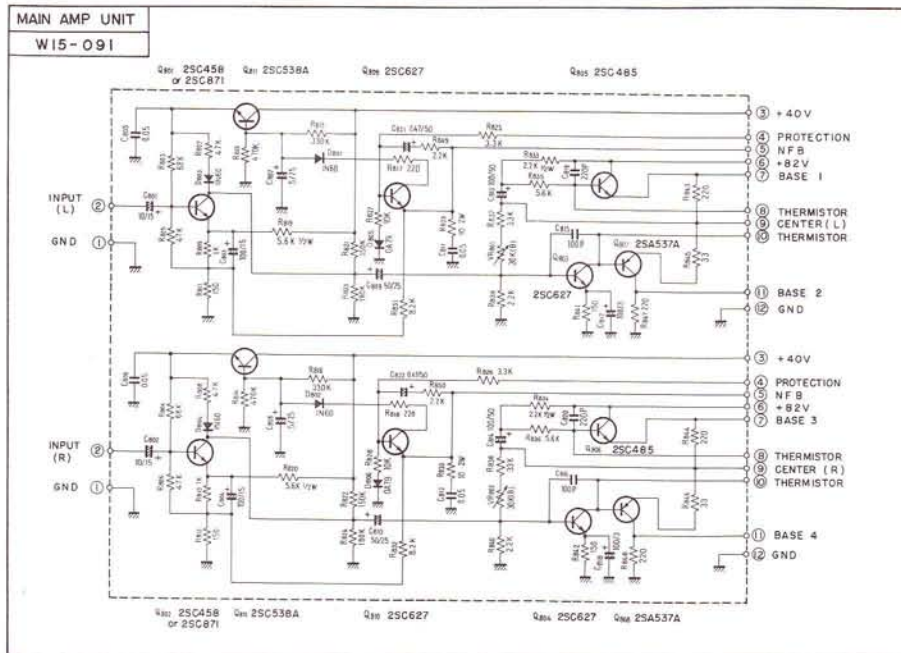
# HEAD AMP UNIT W15-089



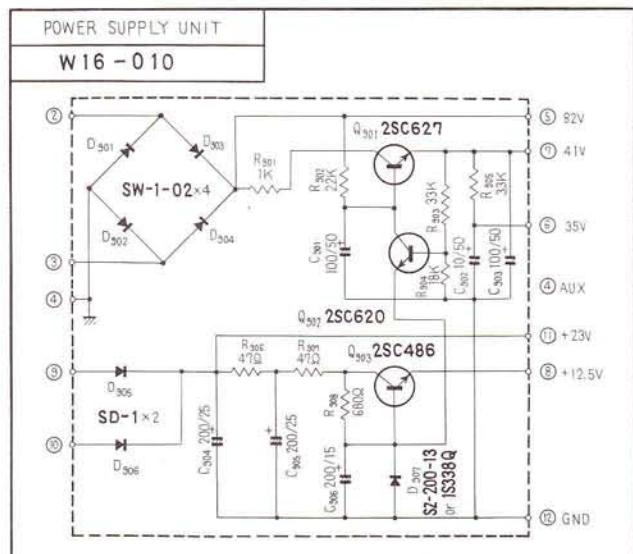
# CONTROL AMP UNIT W15-090



# MAIN AMP UNIT W15-091



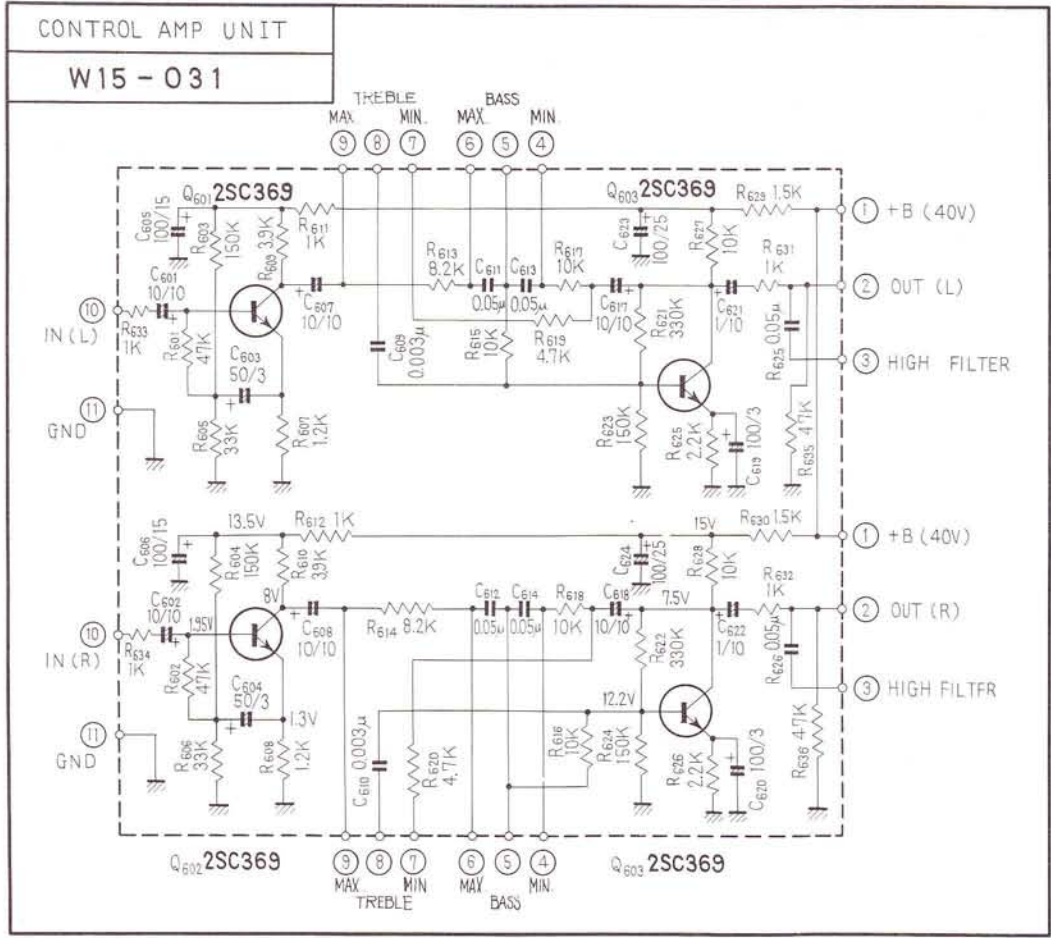
# POWER SUPPLY UNIT W16-010



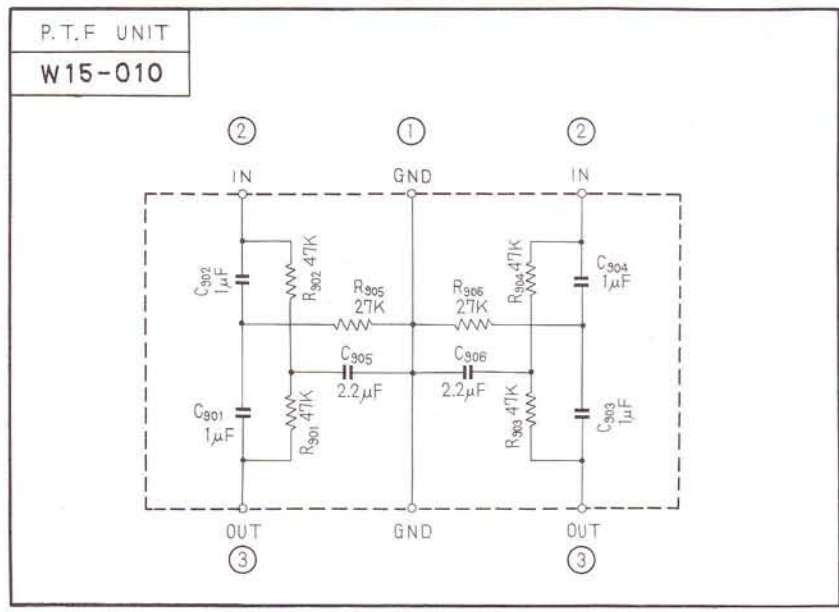
**NOTE:**

If your set is provided with the CONTROL AMP UNIT and the FILTER UNIT separately, refer to the following circuit diagrams.

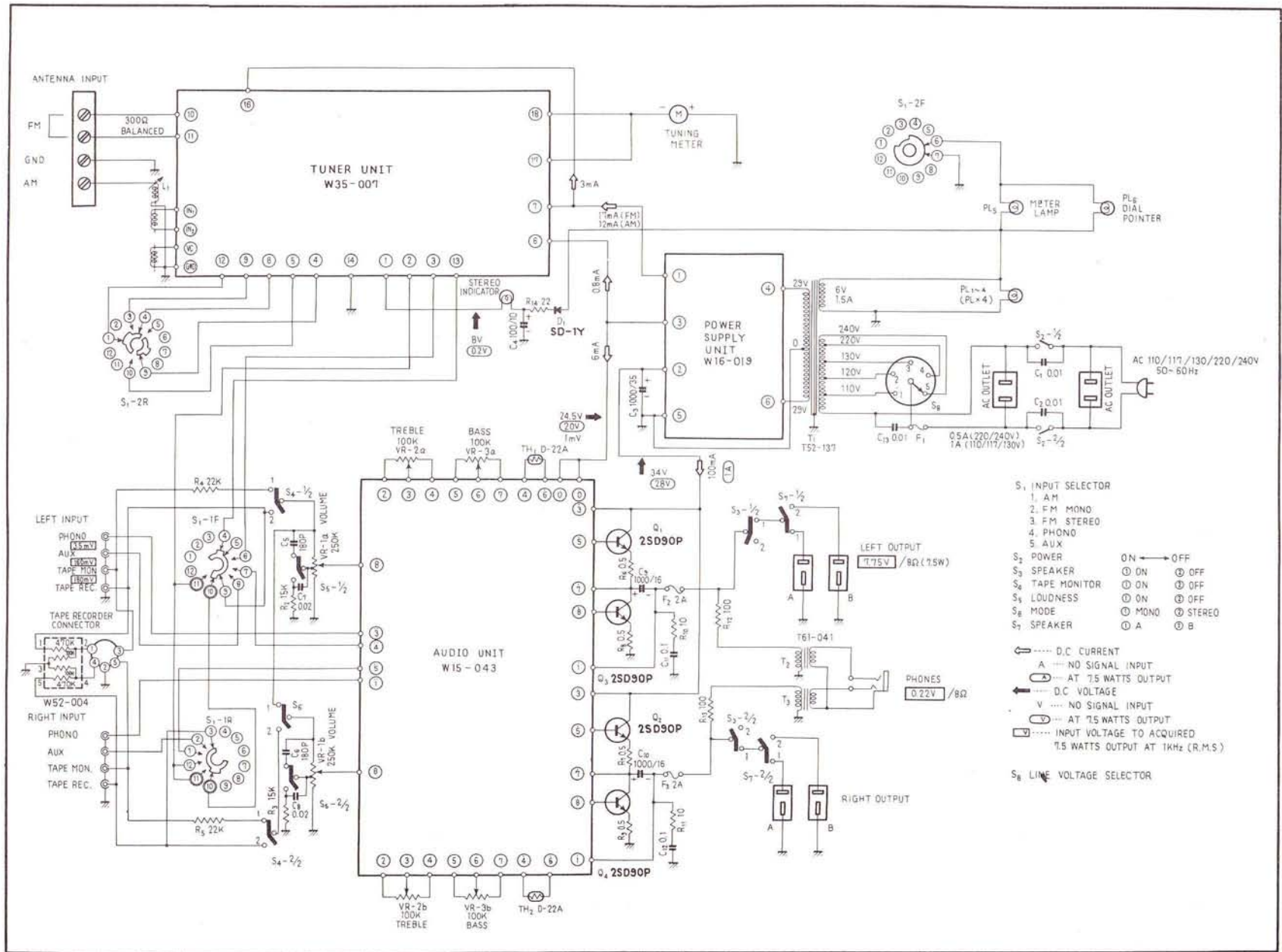
**CONTROL AMP UNIT W15-031**



**FILTER UNIT W15-010**

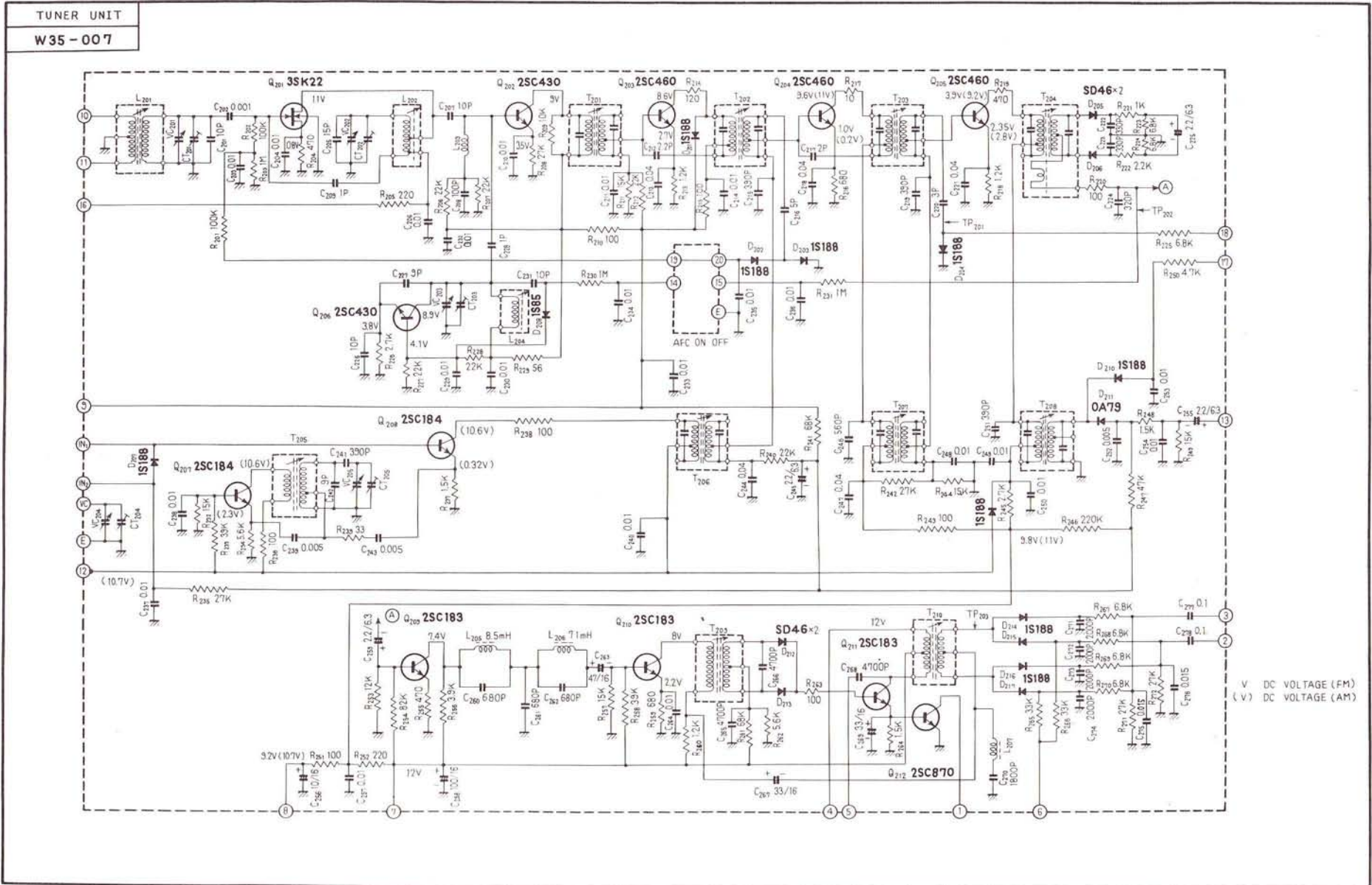


# Model SX-440 / F

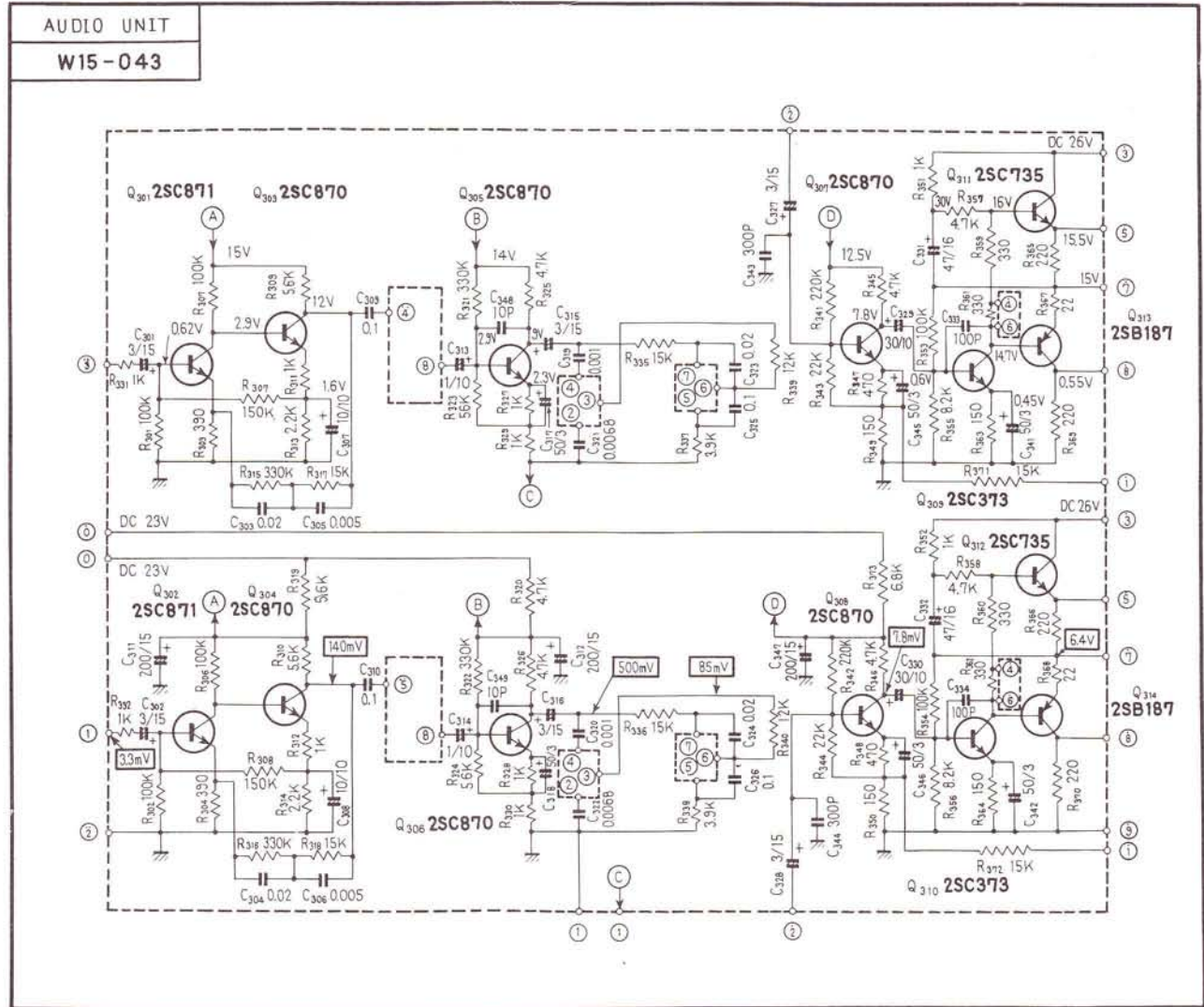




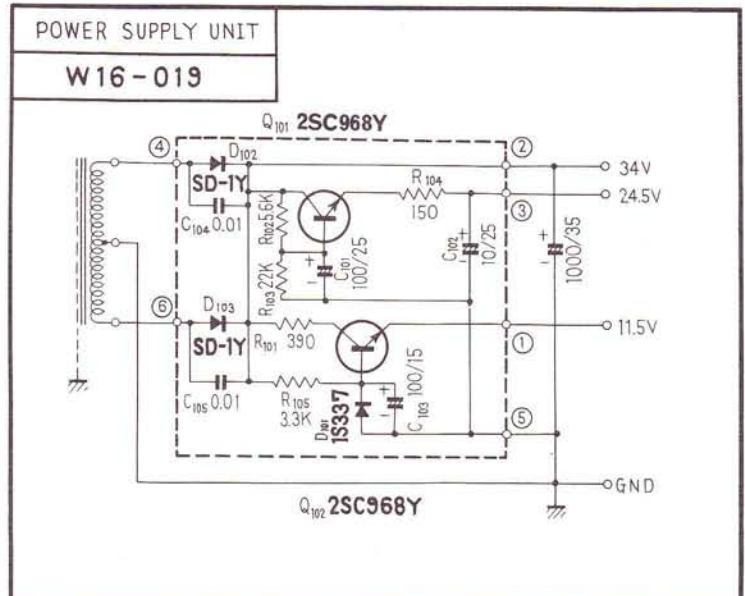
# TUNER UNIT W35-007



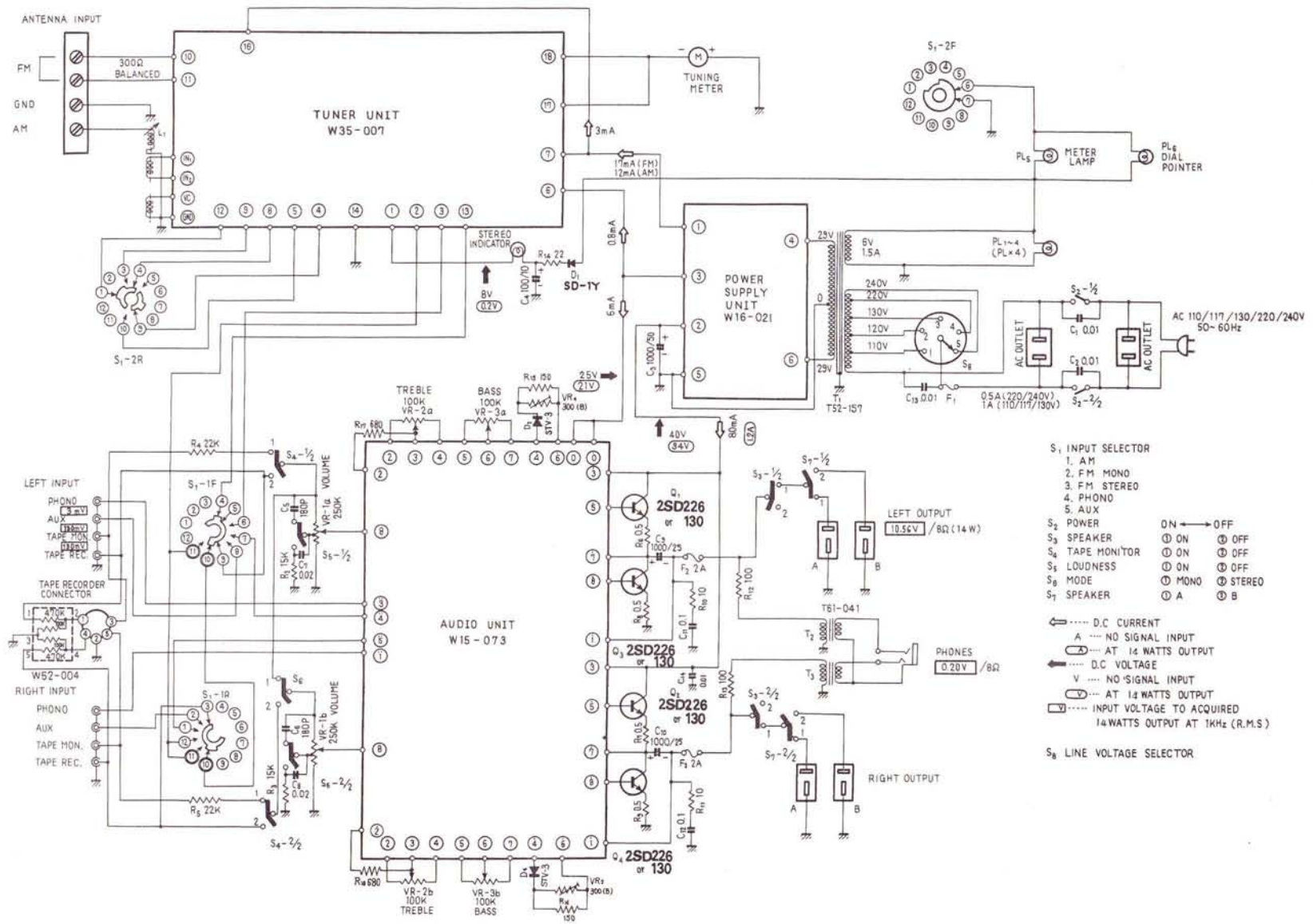
# AUDIO UNIT W15-043



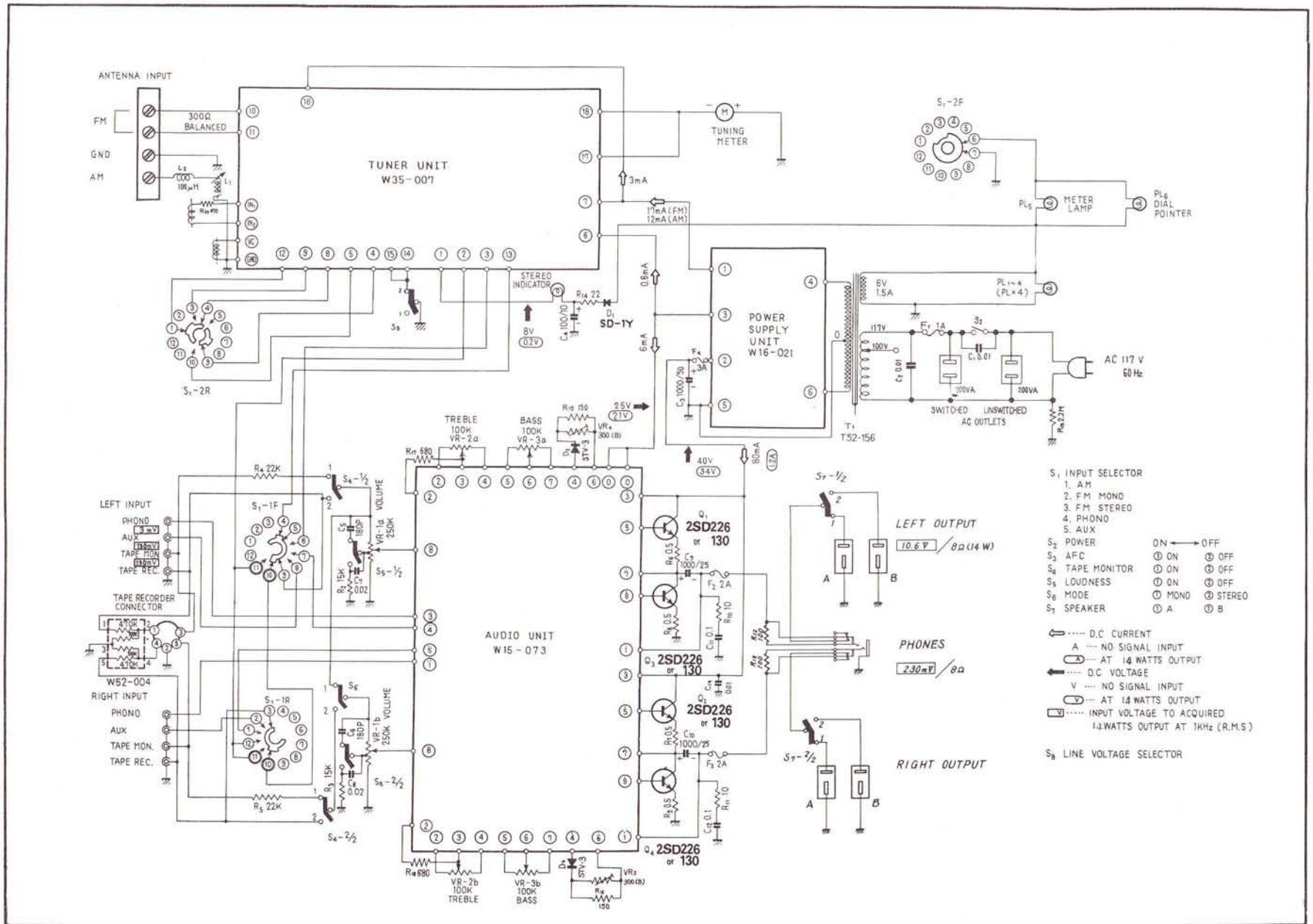
# POWER SUPPLY UNIT W16-019



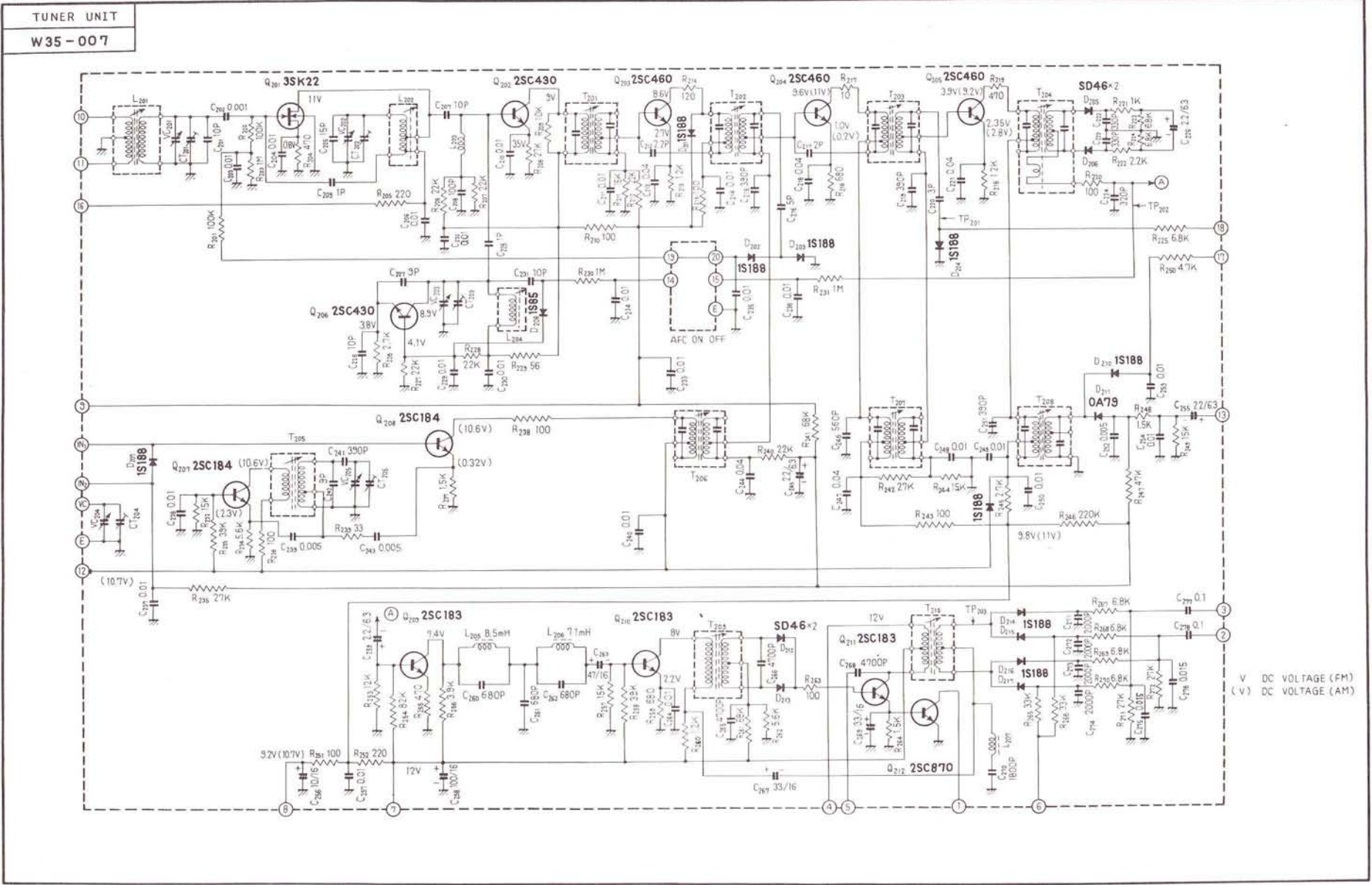
# Model KX-440 / FWV



# Model SX-440 / KC



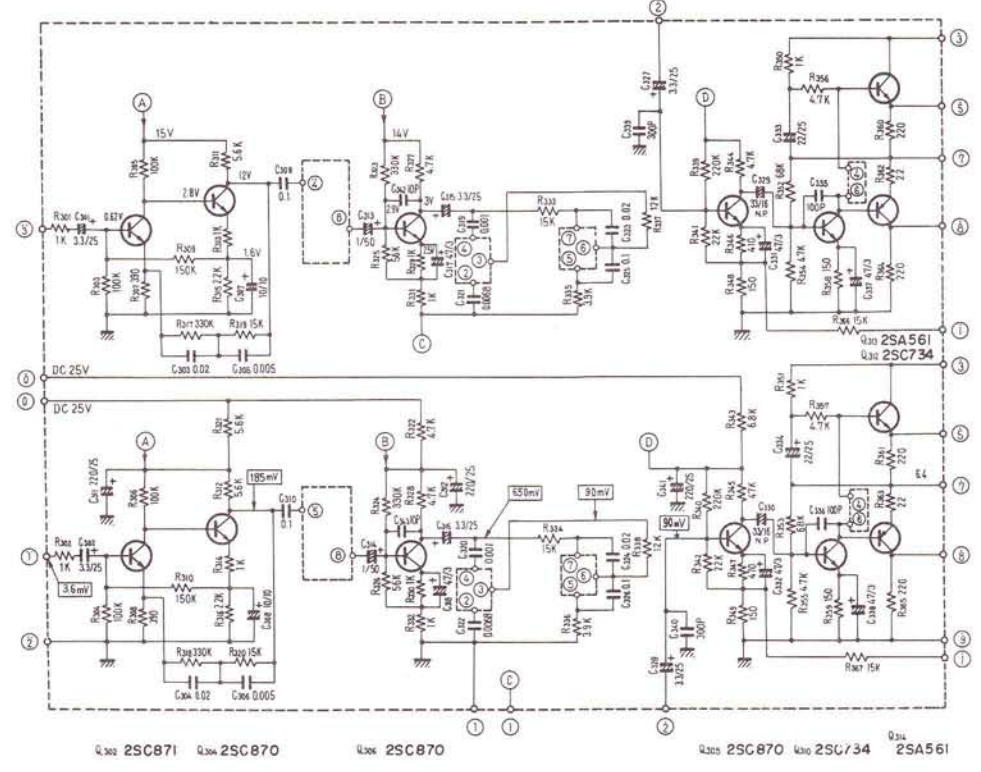
# TUNER UNIT W35-007



# AUDIO UNIT W15-073

AUDIO UNIT  
W15-073

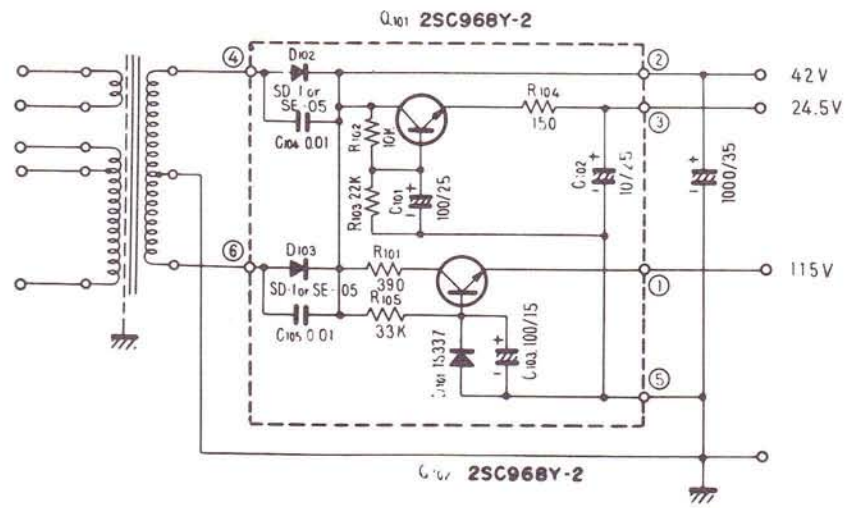
Q101 2SC871 Q102 2SC870 Q103 2SC870 Q104 2SC870 Q105 2SC870 Q106 2SC734 Q107 2SC734



Q101 2SC871 Q102 2SC870 Q103 2SC870 Q104 2SC870 Q105 2SC870 Q106 2SC734 Q107 2SC734 Q108 2SA561 Q109 2SC734

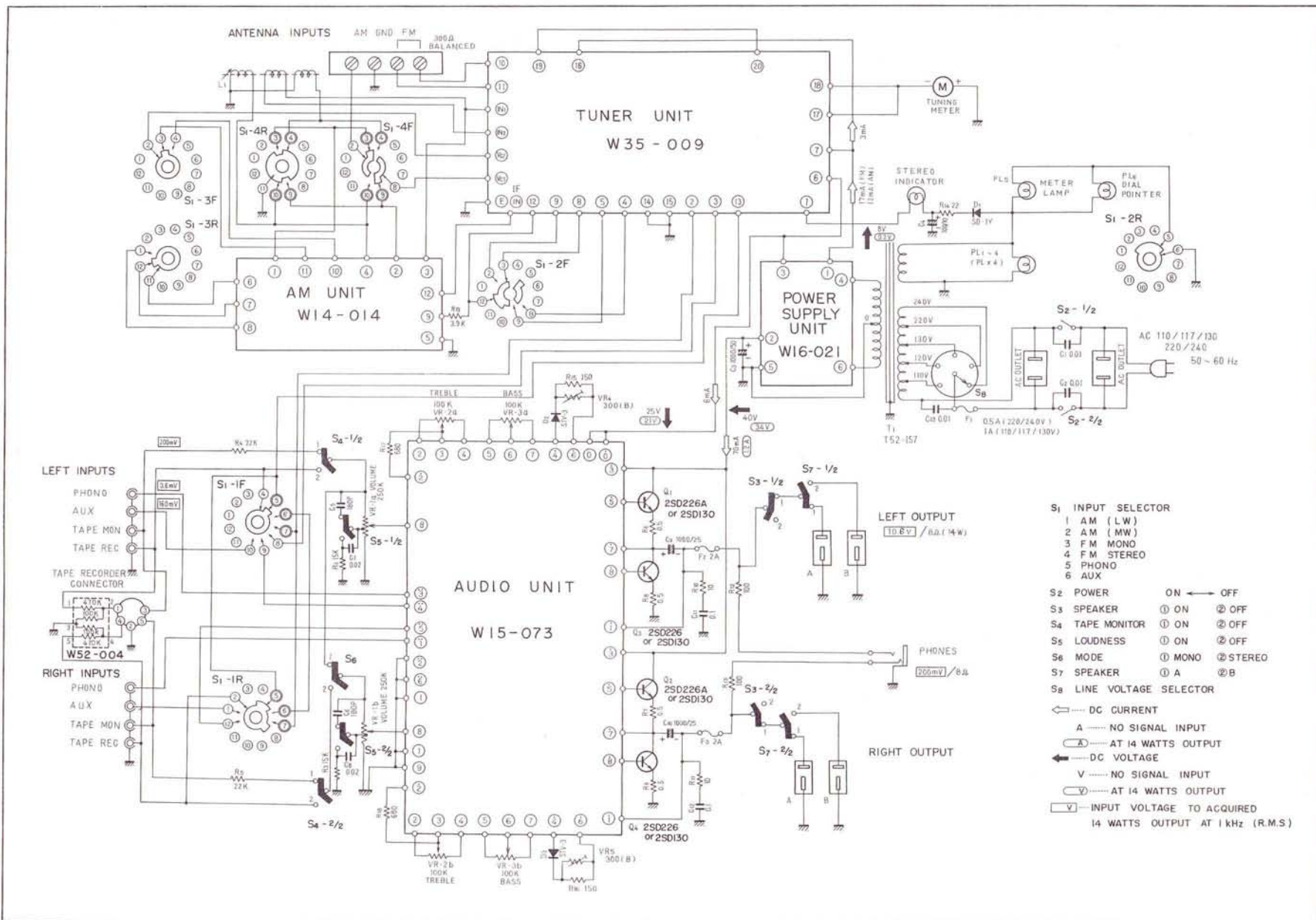
# POWER SUPPLY UNIT W16-021

POWER SUPPLY UNIT  
W16-021



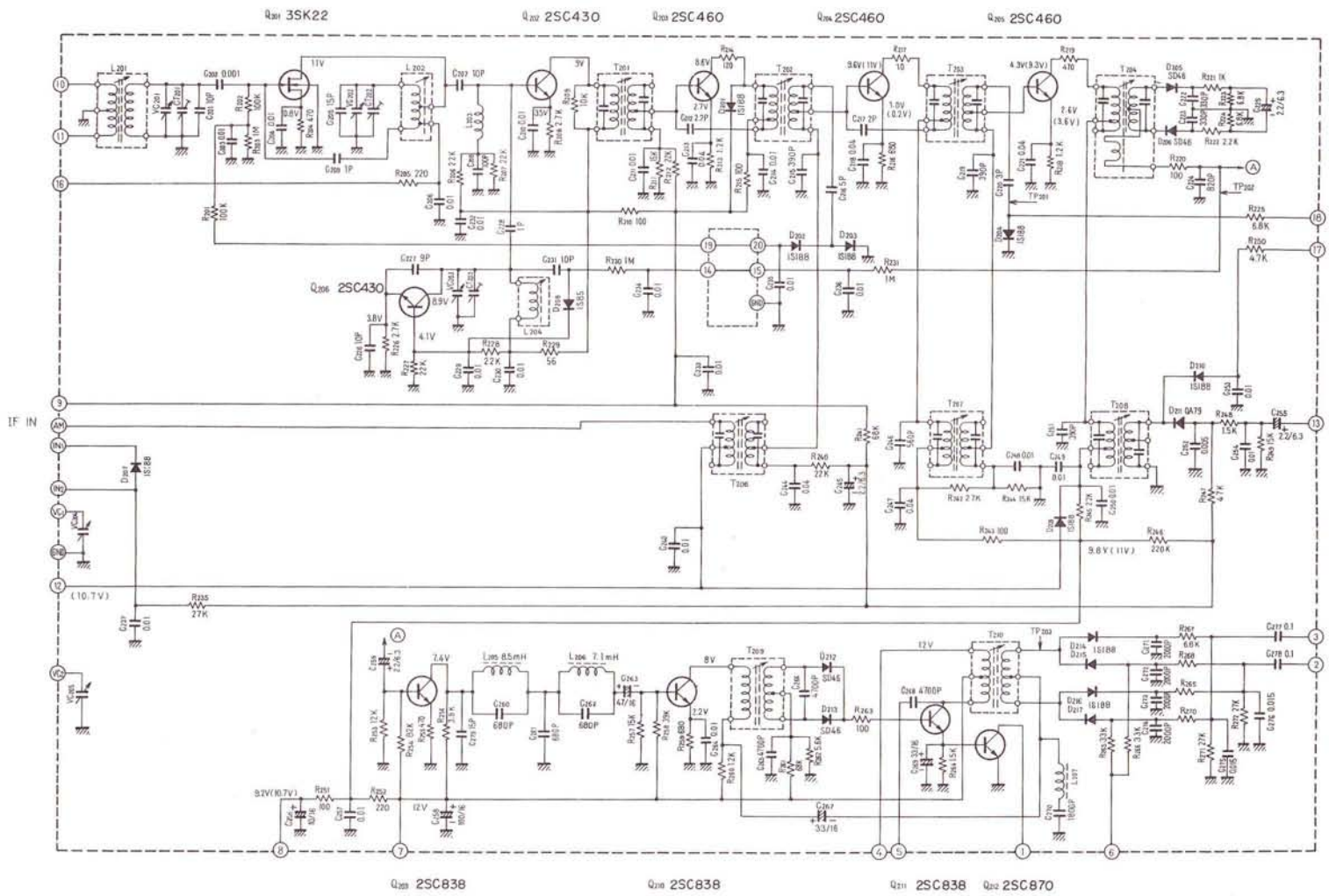
Q101 2SC968Y-2

# Model LX-440 / FW



# TUNER UNIT W35-009

TUNER UNIT  
W35-009

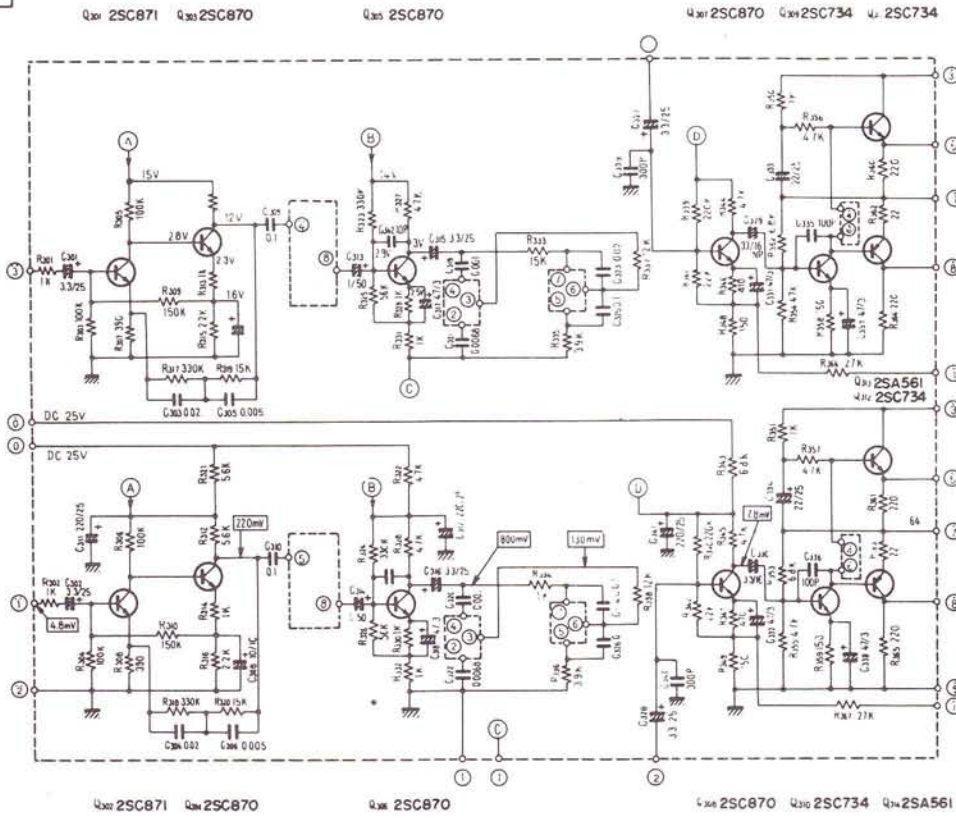


V : DC VOLTAGE ( FM )  
( V ) : DC VOLTAGE ( AM )



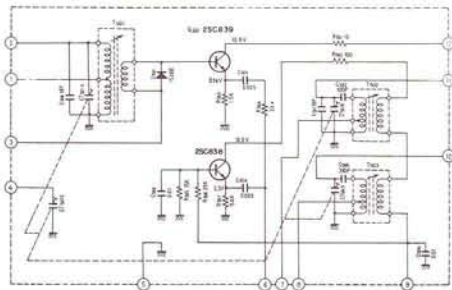
# AUDIO UNIT W15-073

AUDIO UNIT  
W15-073



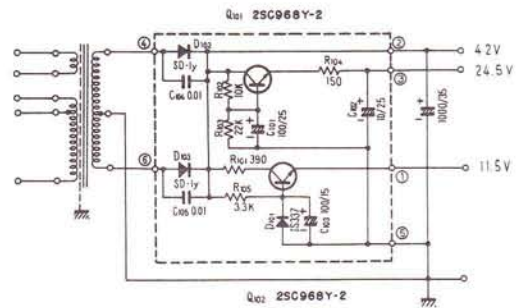
# AM UNIT W14-014

AM UNIT  
W14-014

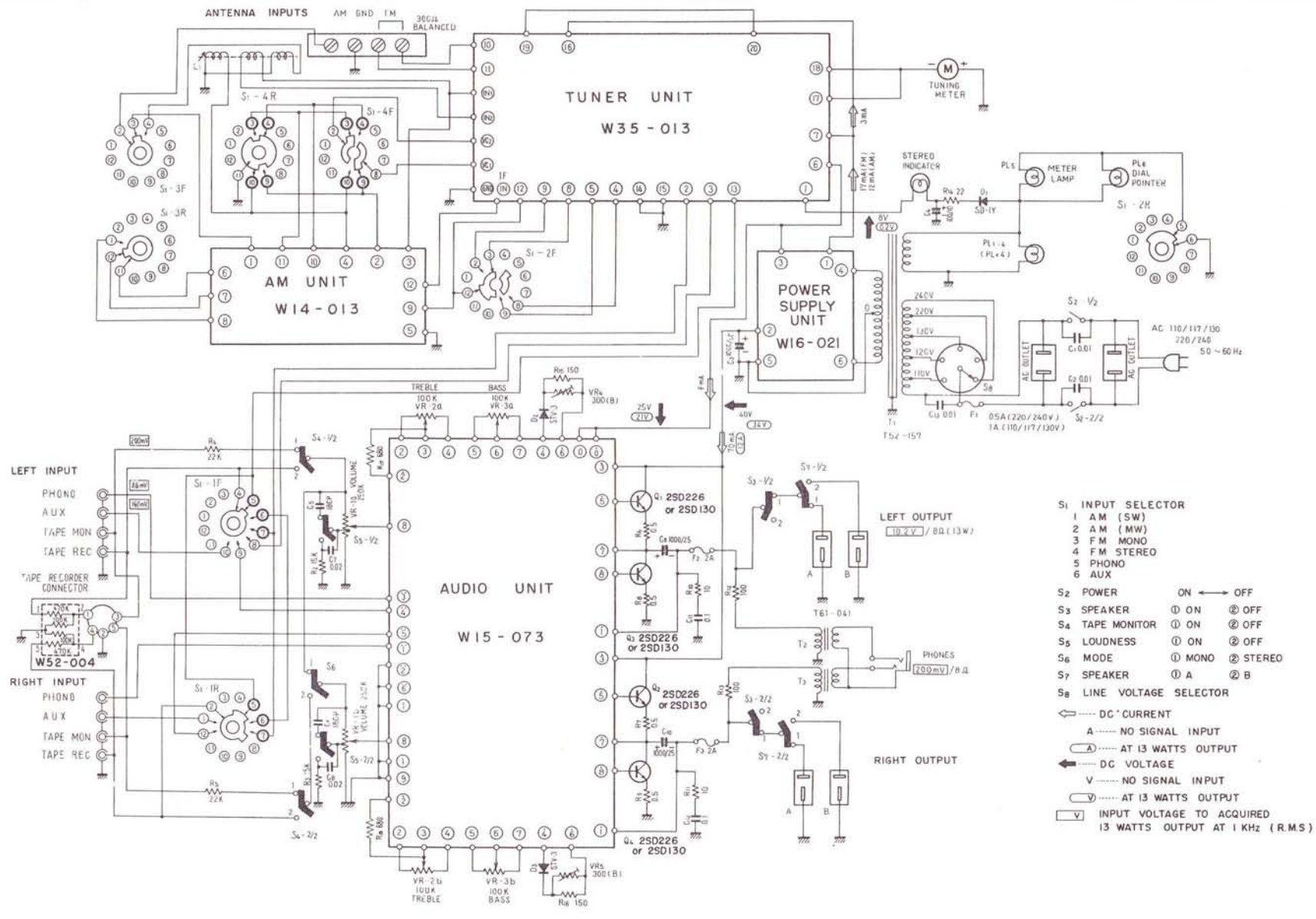


# POWER SUPPLY UNIT W16-021

POWER SUPPLY UNIT  
W16-021

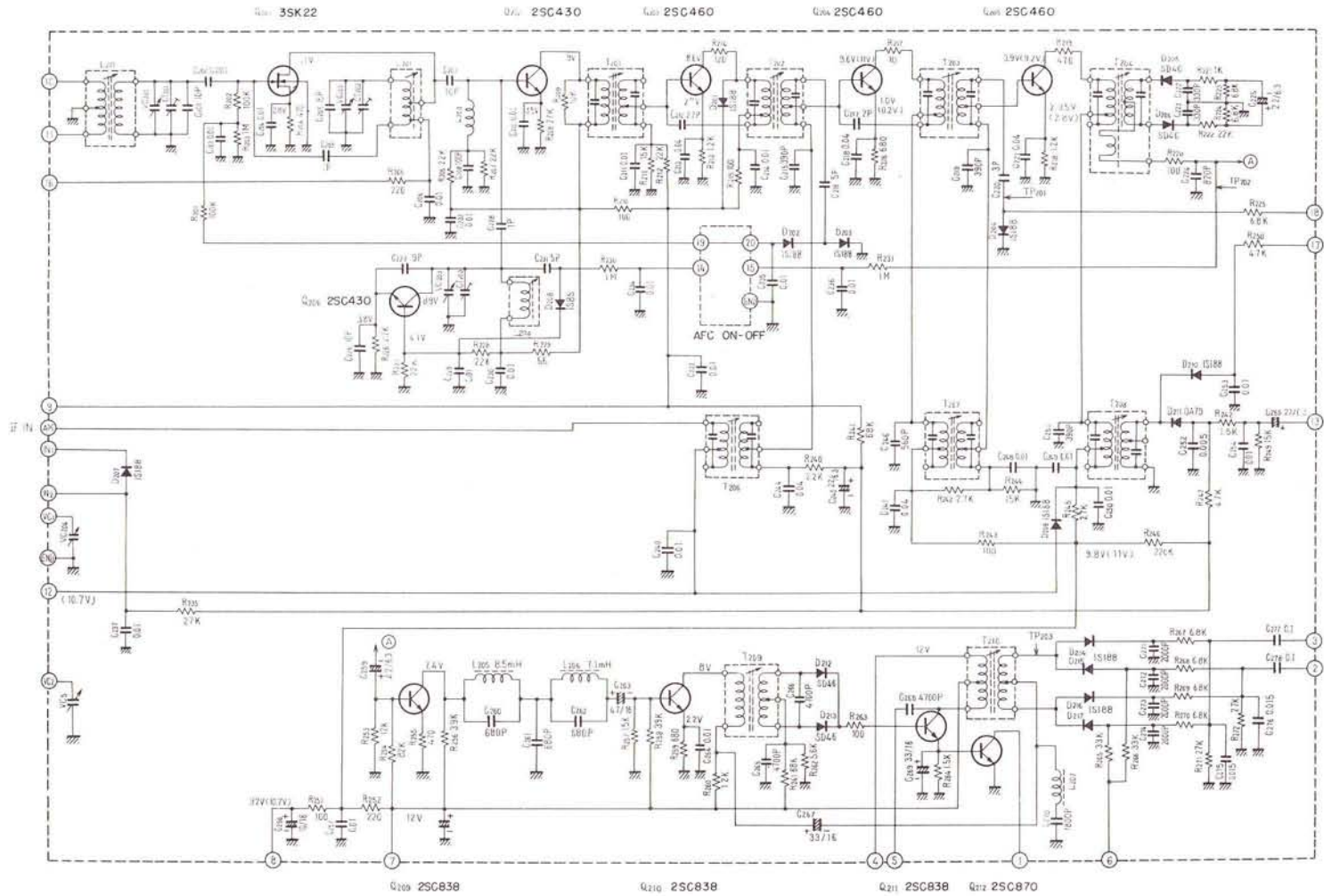


# Model KX-440 / FW



# TUNER UNIT W35-013

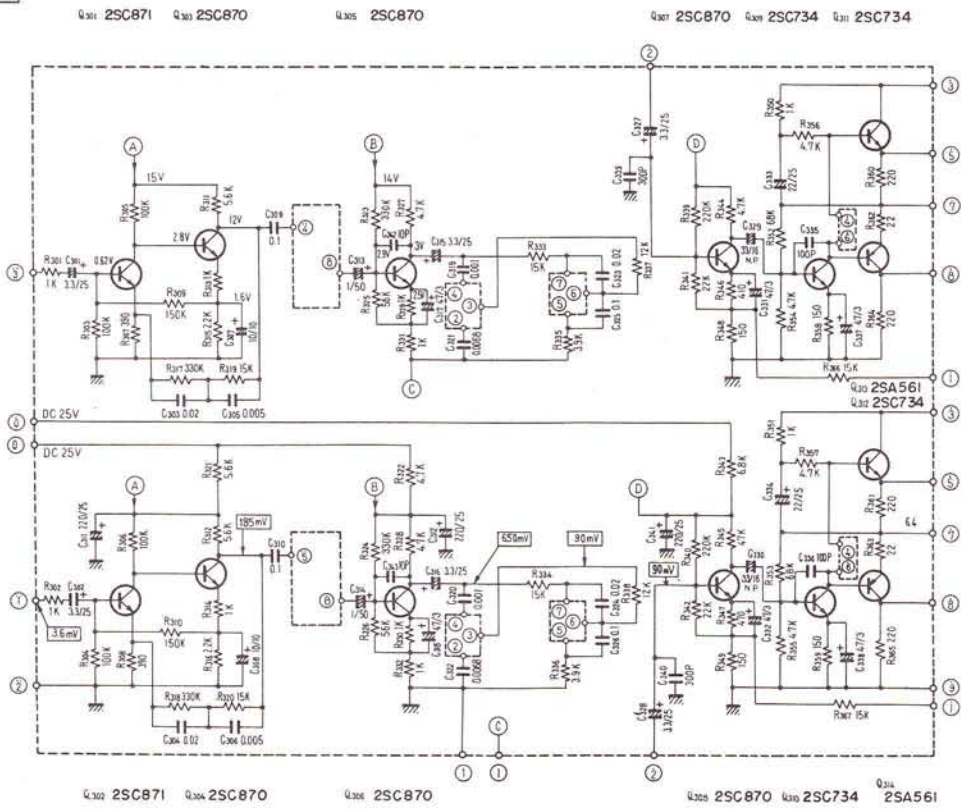
TUNER UNIT  
W35-013



V : DC VOLTAGE ( FM )  
( V ) : DC VOLTAGE ( AM )

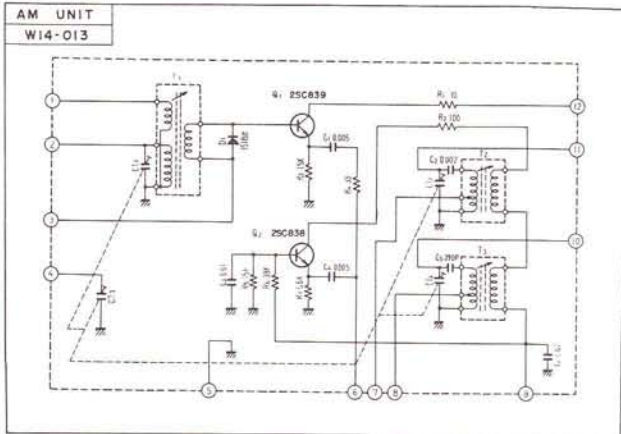
# AUDIO UNIT W15-073

AUDIO UNIT  
W15-073



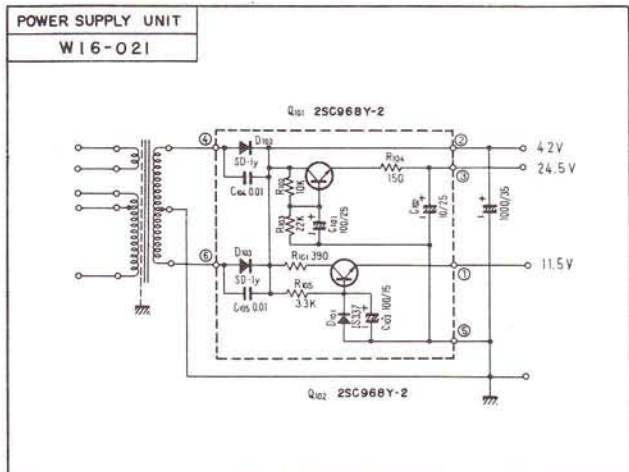
# AM UNIT W14-013

AM UNIT  
W14-013

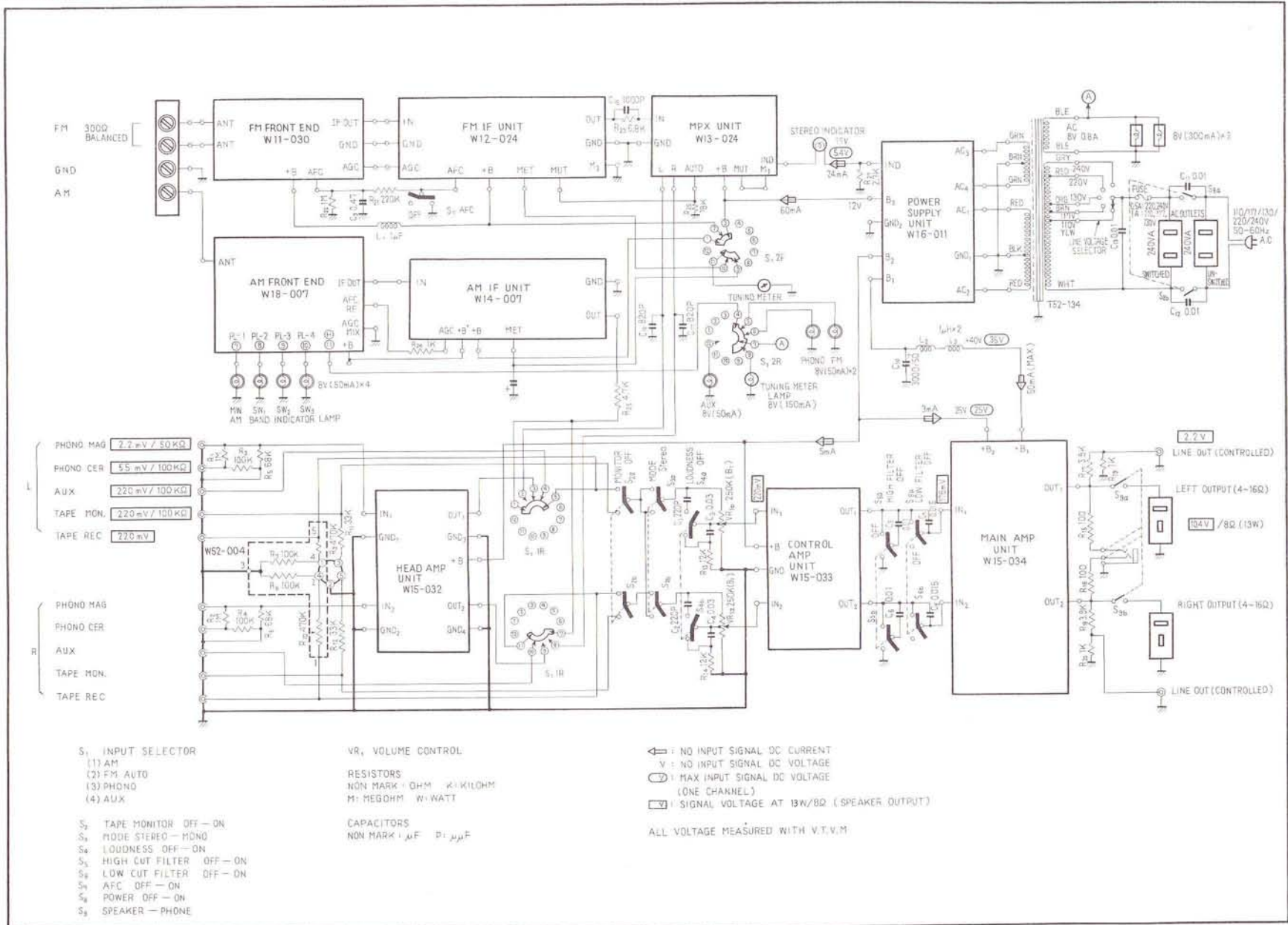


# POWER SUPPLY UNIT W16-021

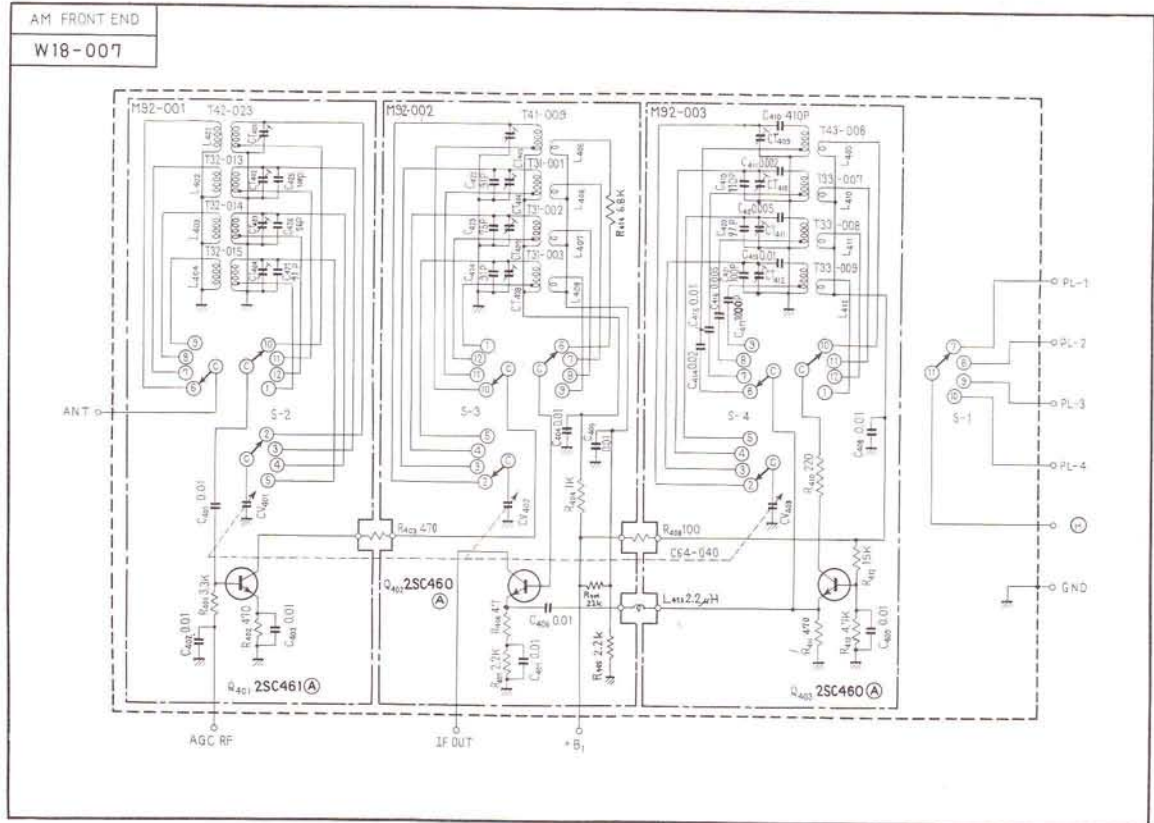
POWER SUPPLY UNIT  
W16-021



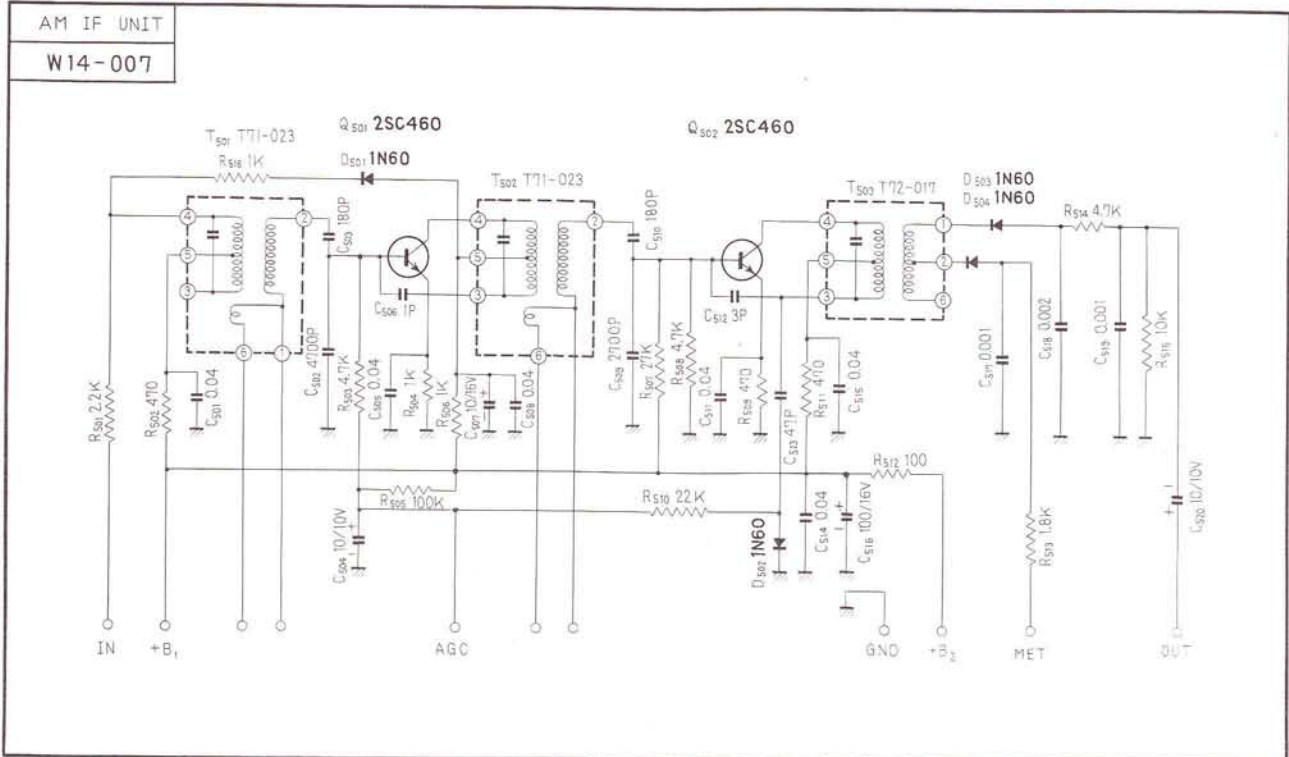
# Model KX-510



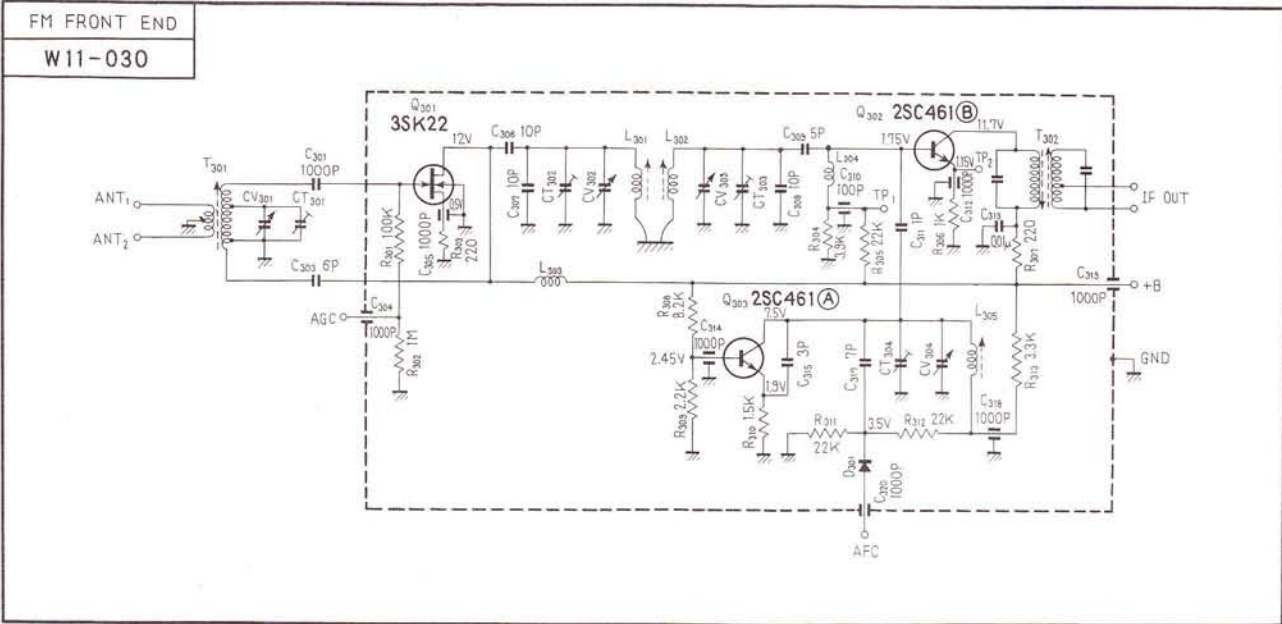
# AM FRONTEND W18-007



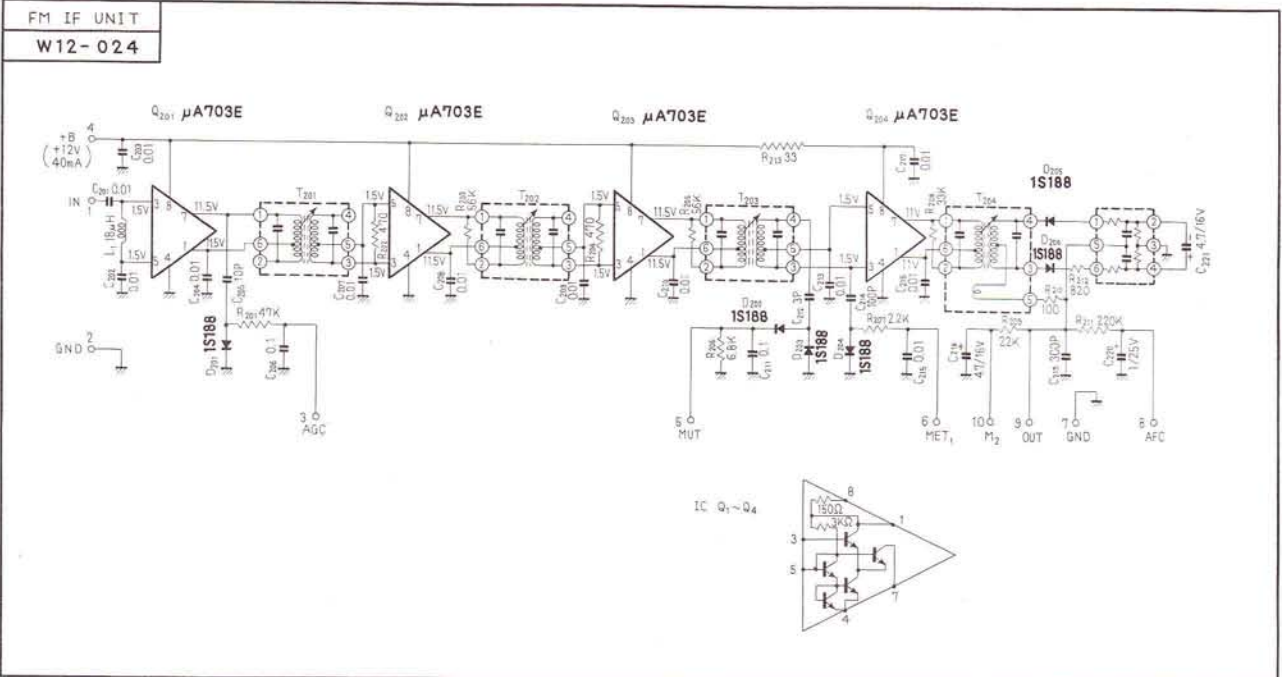
# AM IF UNIT W14-007



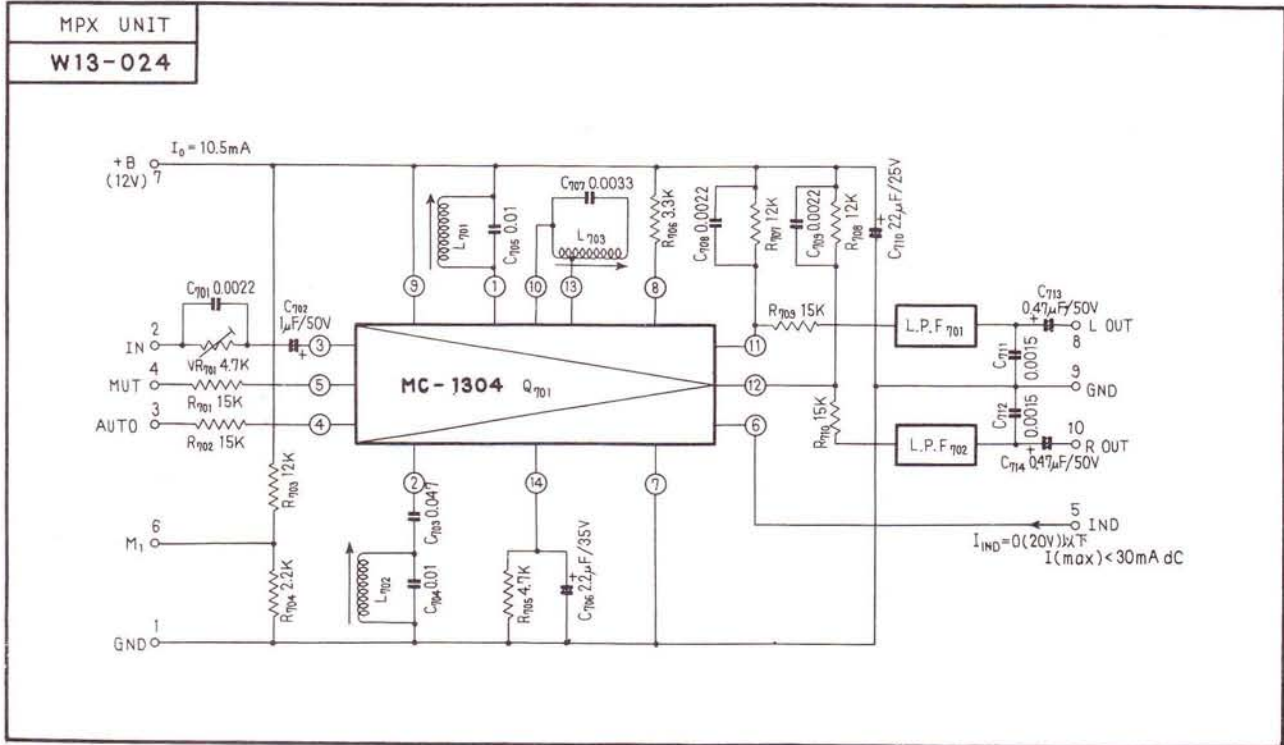
# FM FRONTEND W11-030



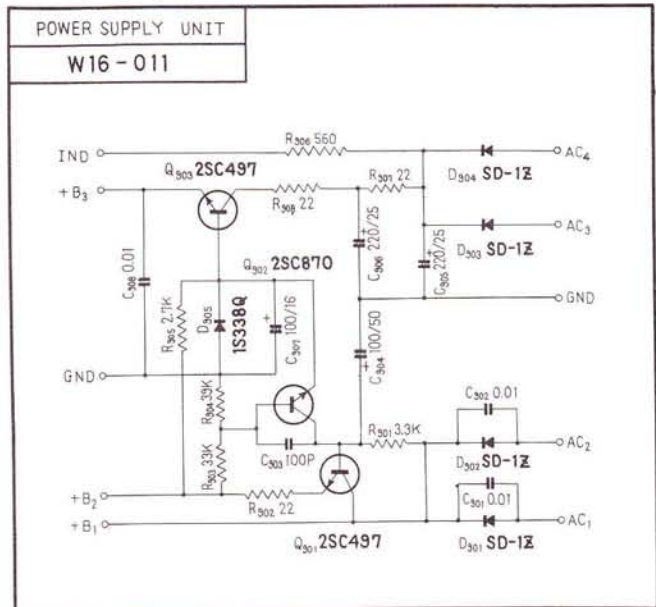
# FM IF UNIT W12-024



# MPX UNIT W13-024

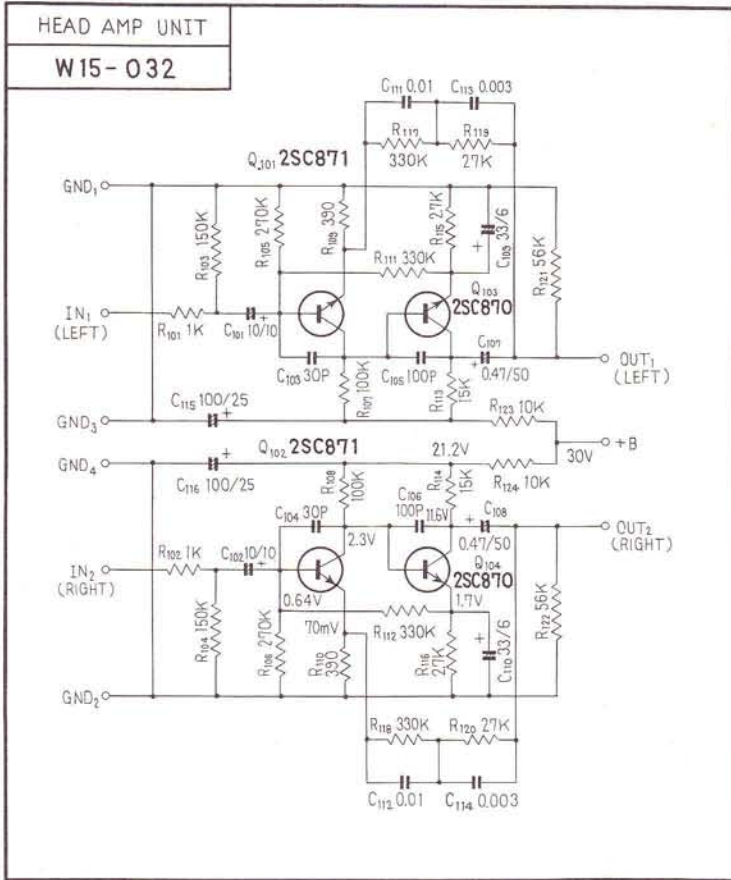


# POWER SUPPLY UNIT W16-011

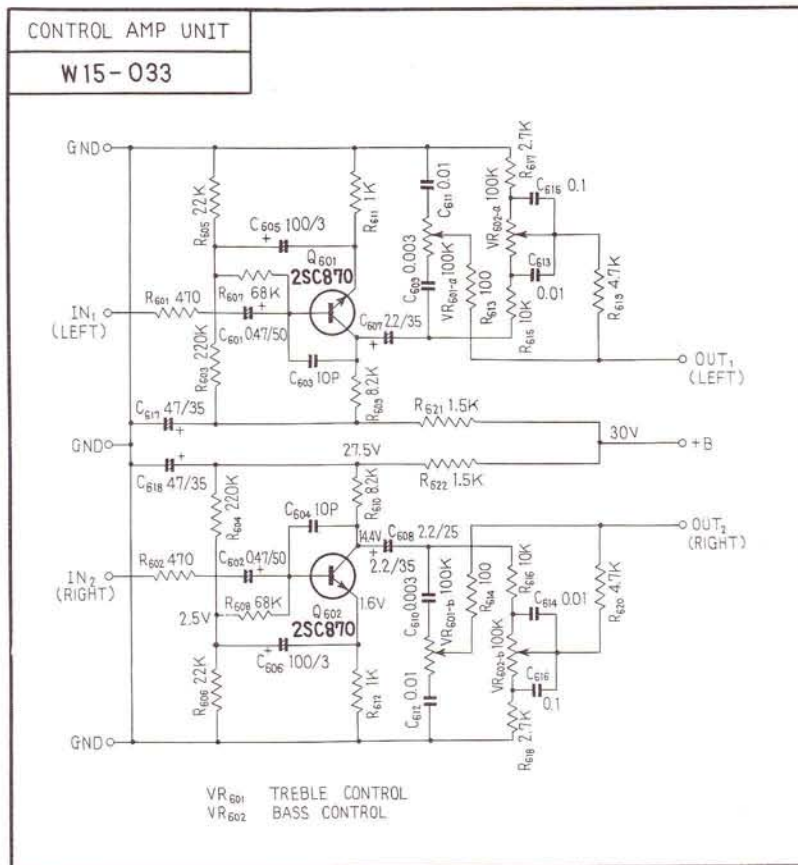




# HEAD AMP UNIT W15-032



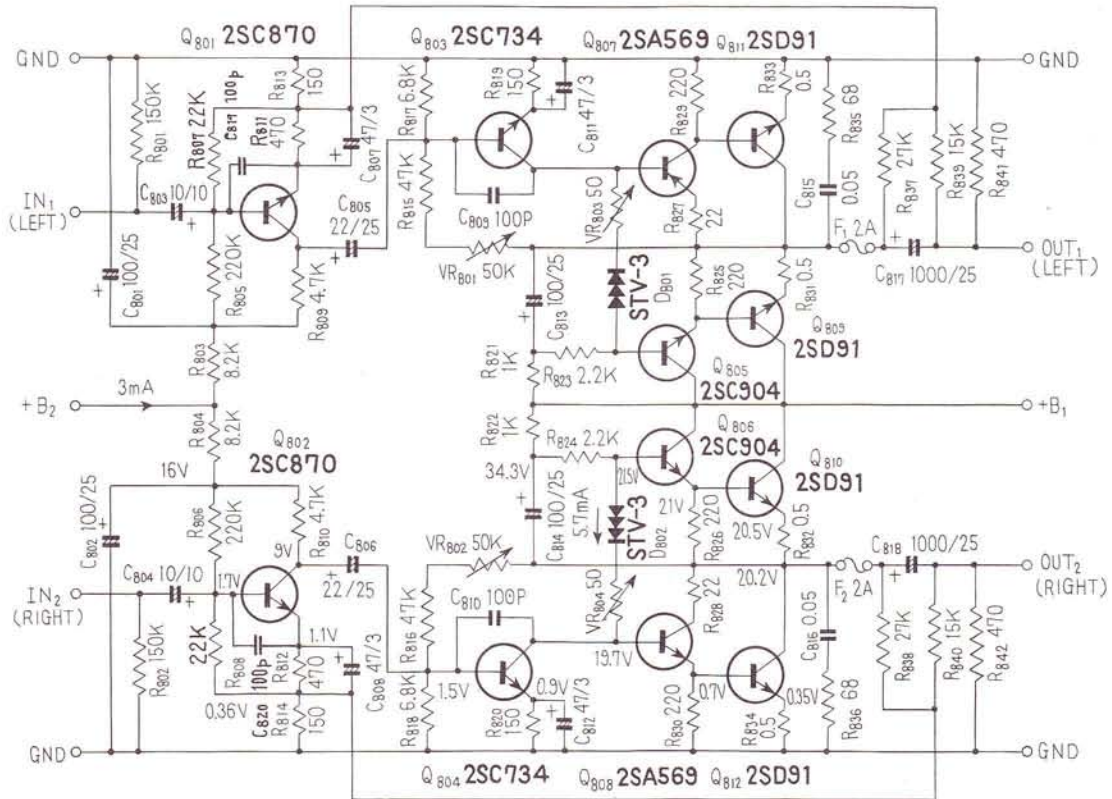
# CONTROL AMP UNIT W15-033



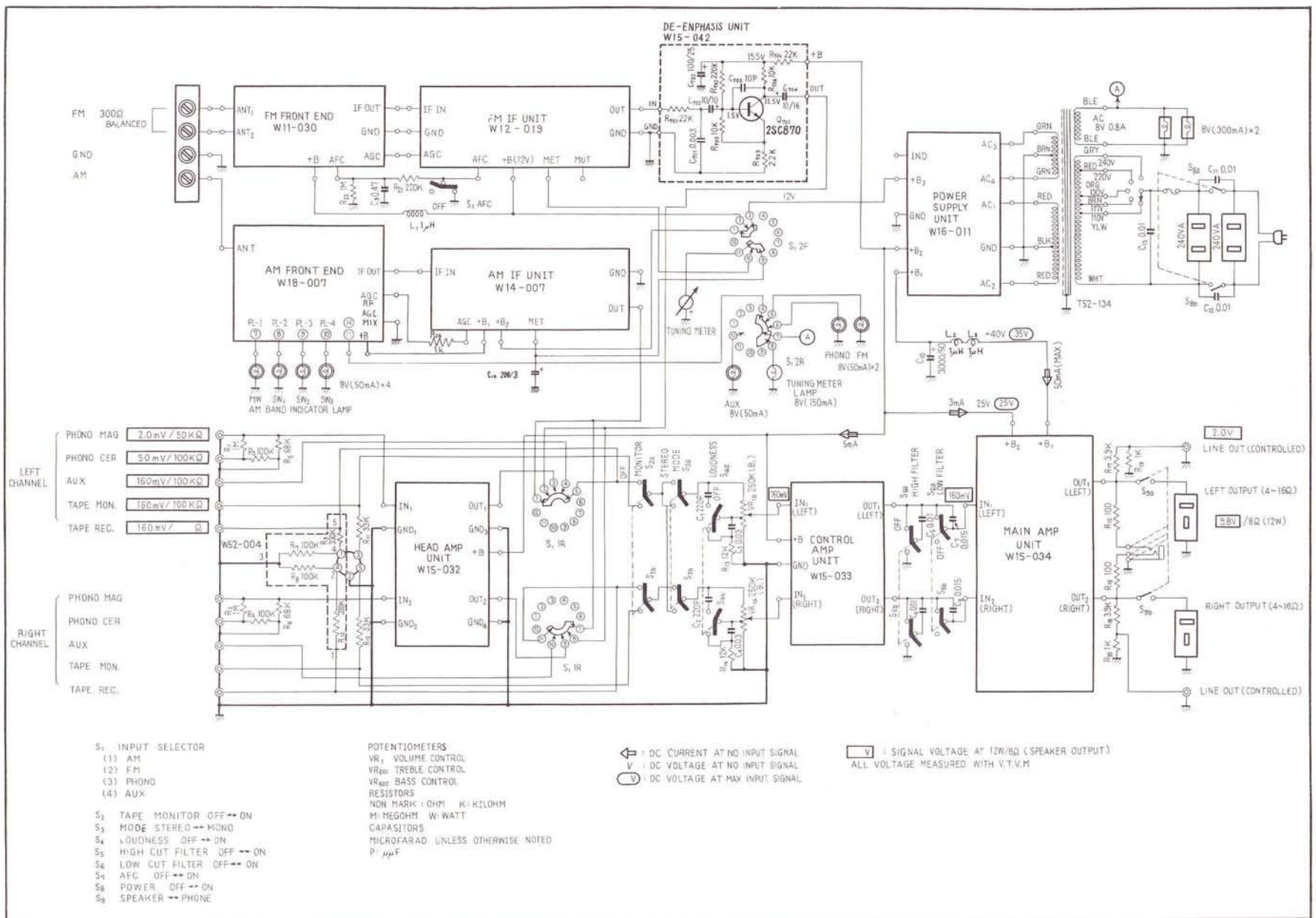
# MAIN AMP UNIT W15-034

MAIN AMP UNIT

W15-034



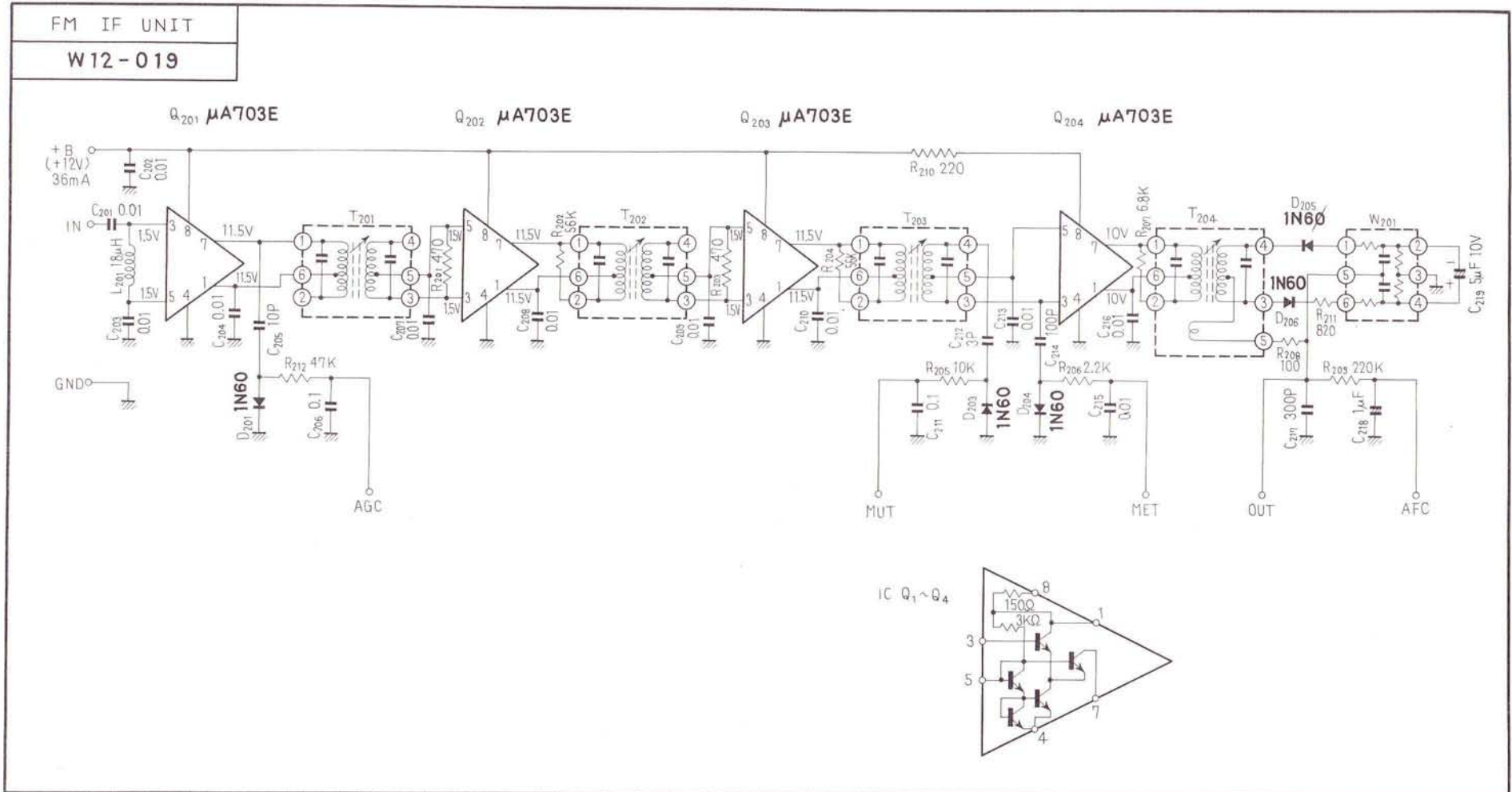
# Model SX-510T



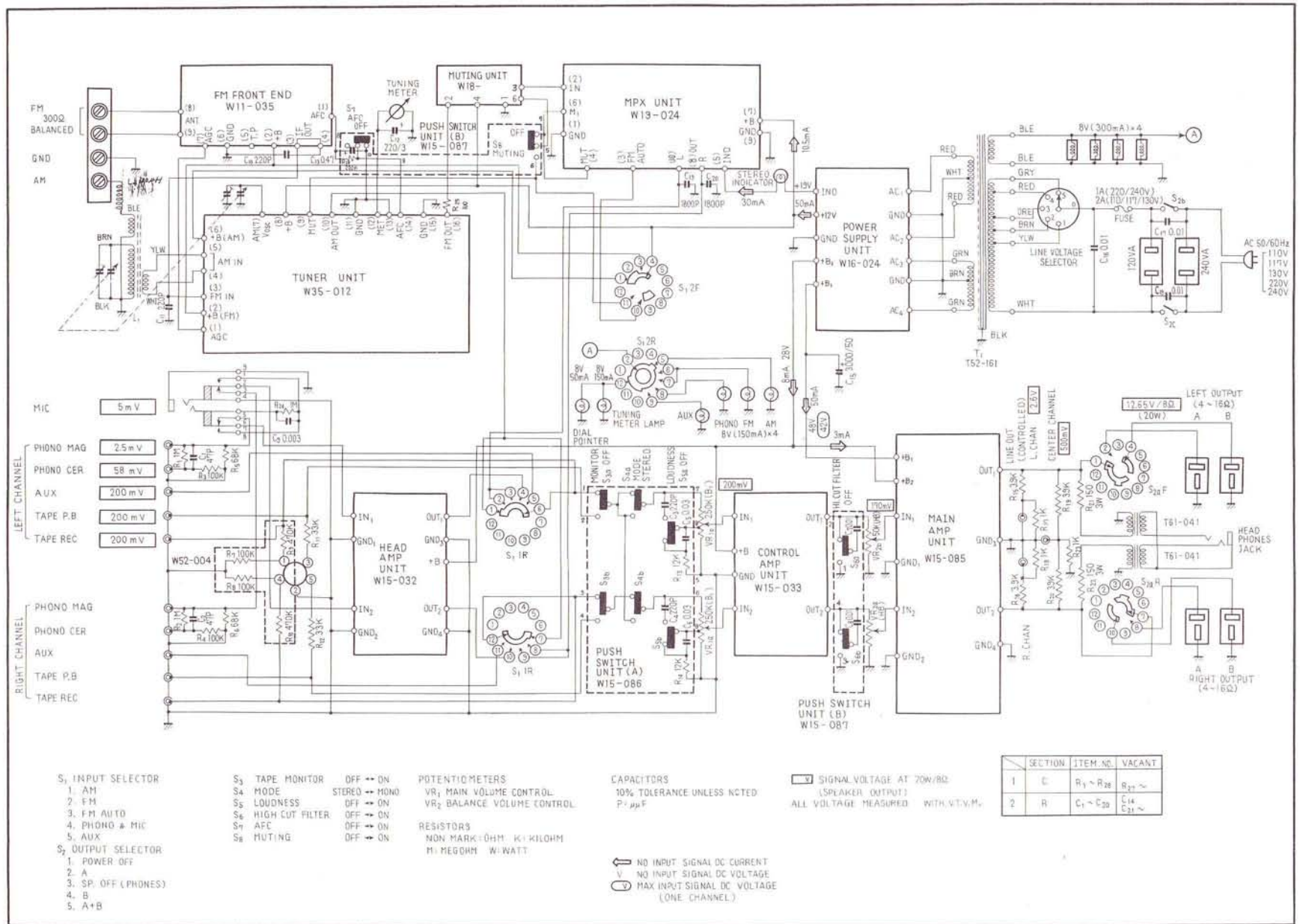
**NOTE:**

When you check the circuit of any other unit than the FM IF UNIT, refer to the circuit diagrams for Model KX-510.

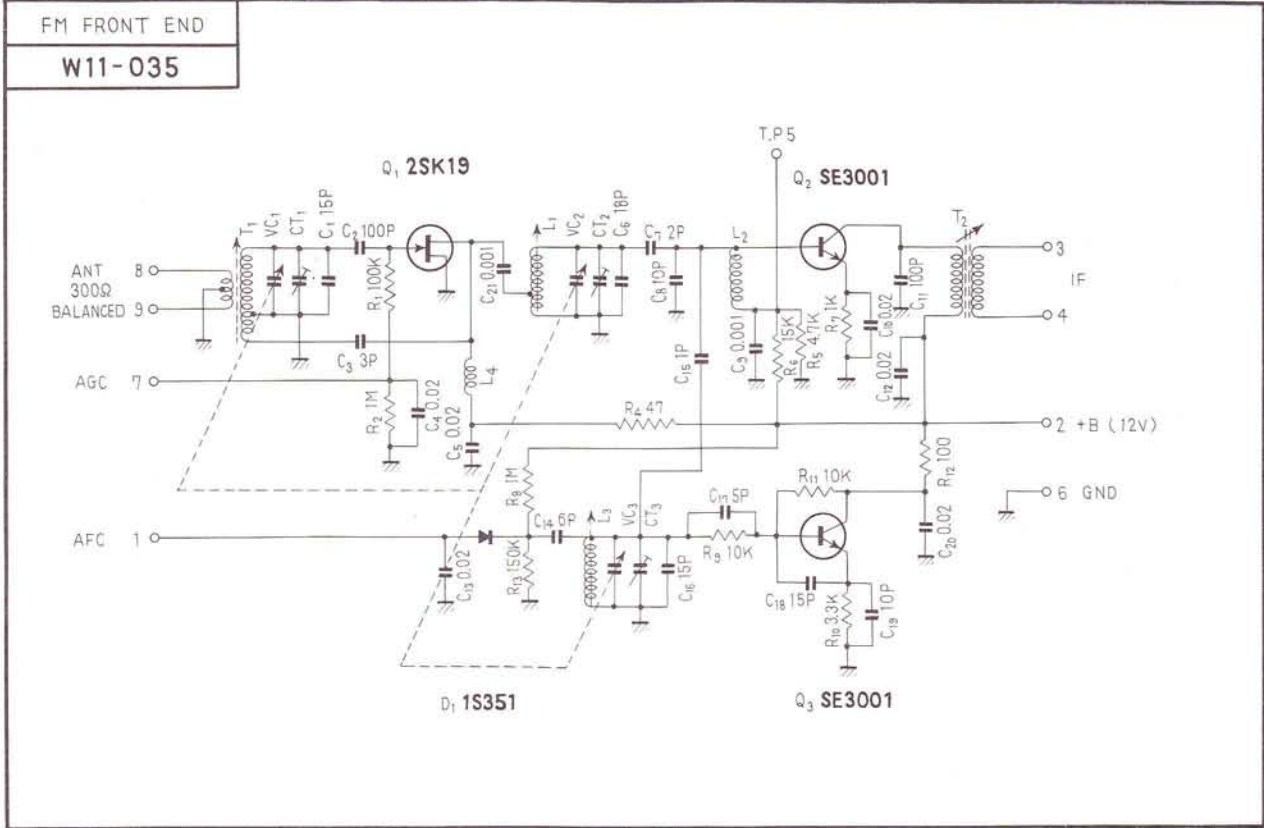
### FM IF UNIT W12-019



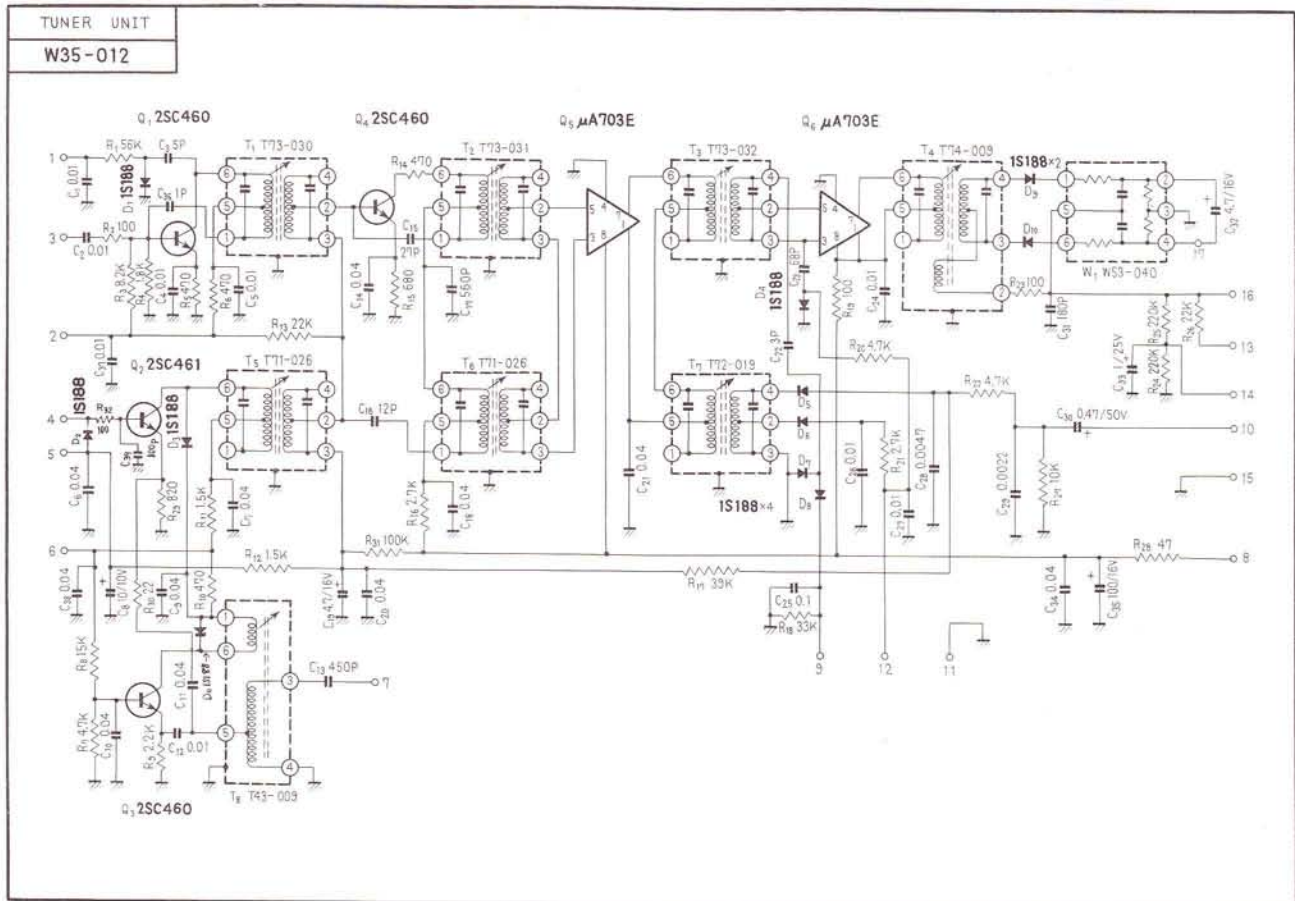
# Model SX-770 / FVW



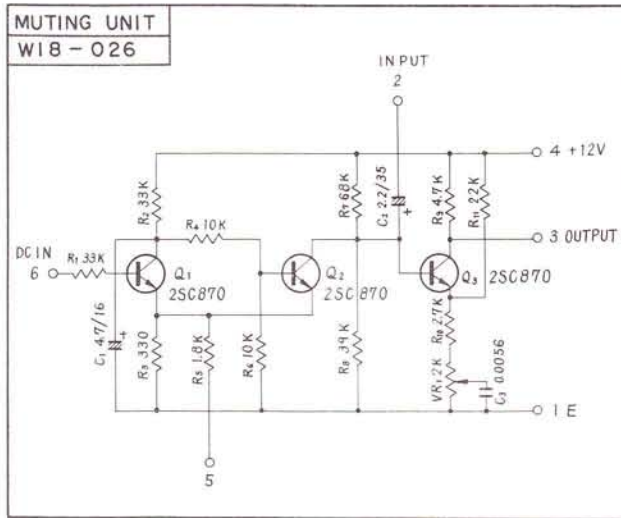
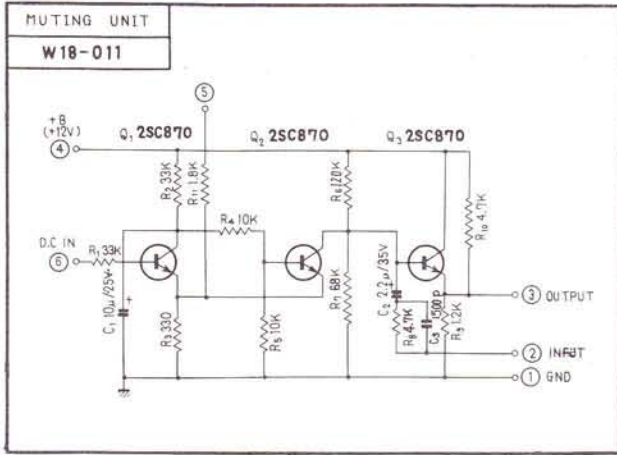
# FM FRONTEND W11-035



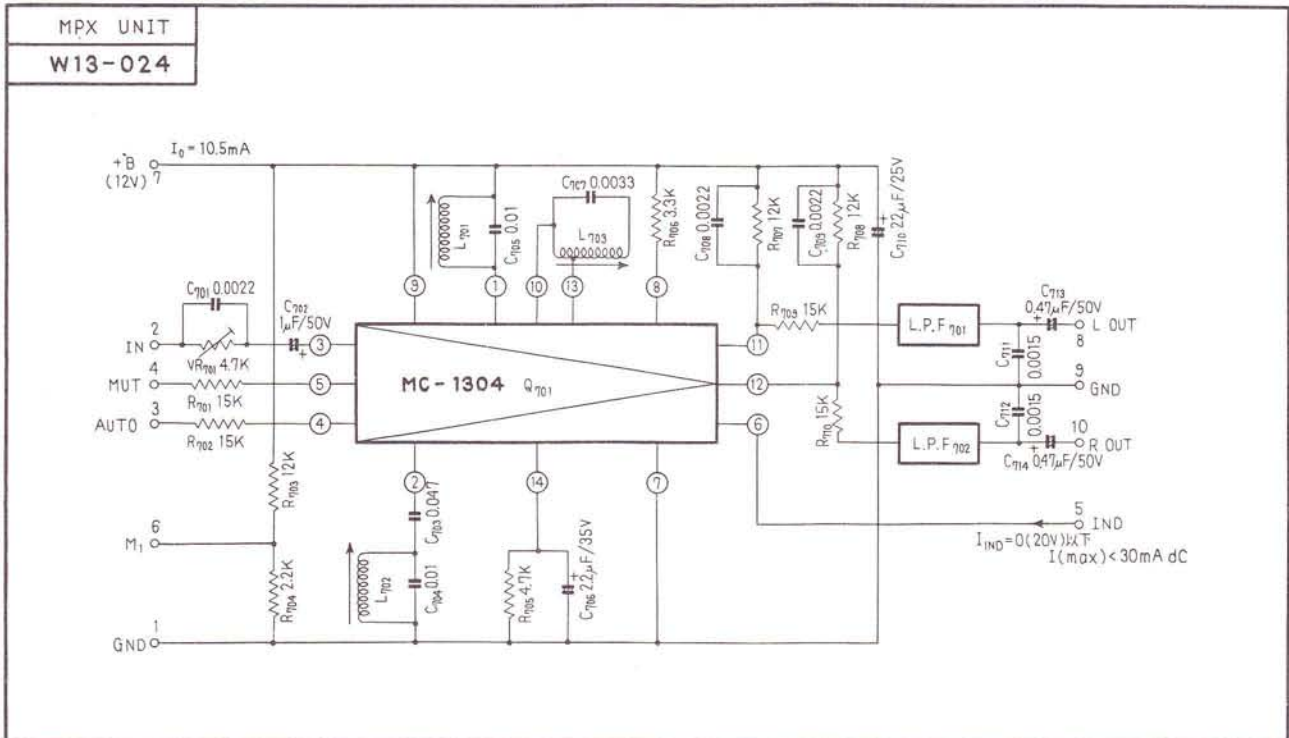
# TUNER UNIT W35-012



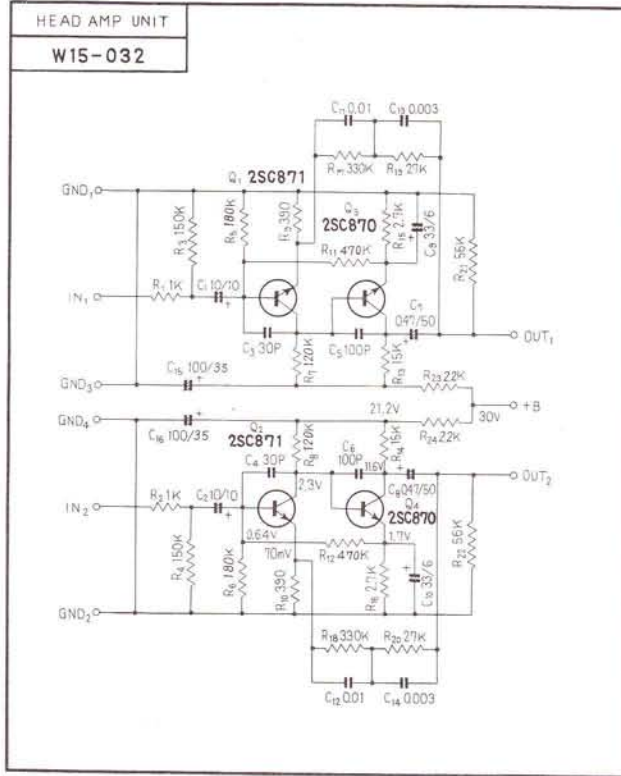
# MUTING UNIT W18-011 OR W18-026



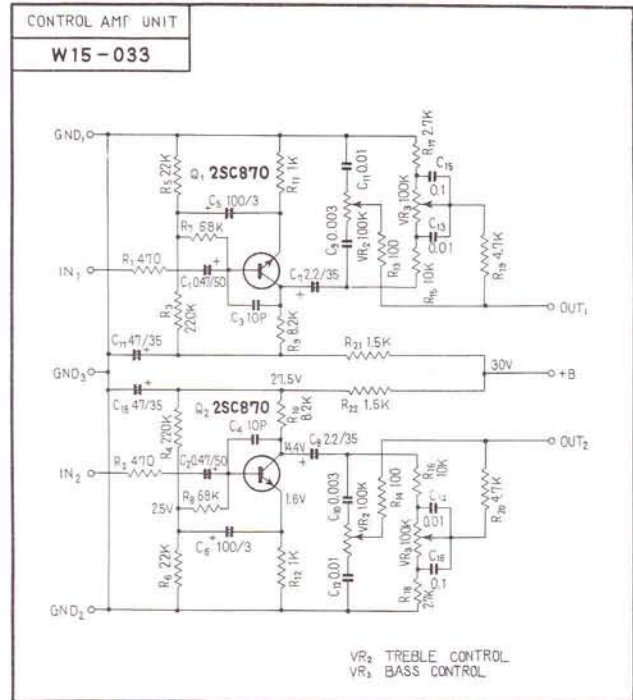
# MPX UNIT W13-024



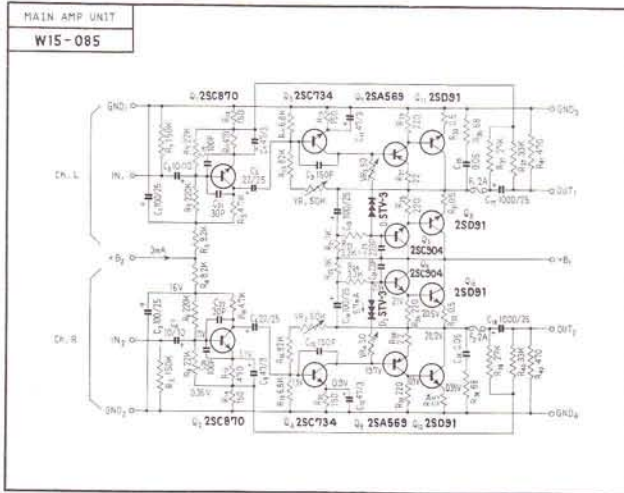
# HEAD AMP UNIT W15-032



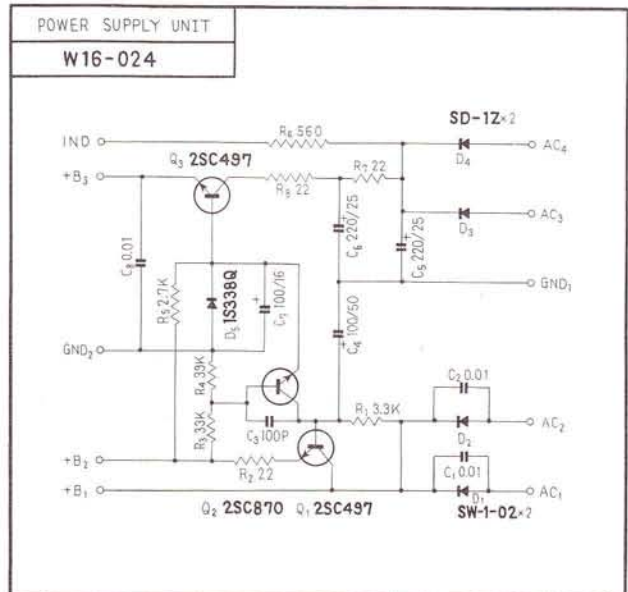
# CONTROL AMP UNIT W15-033



# MAIN AMP UNIT W15-085

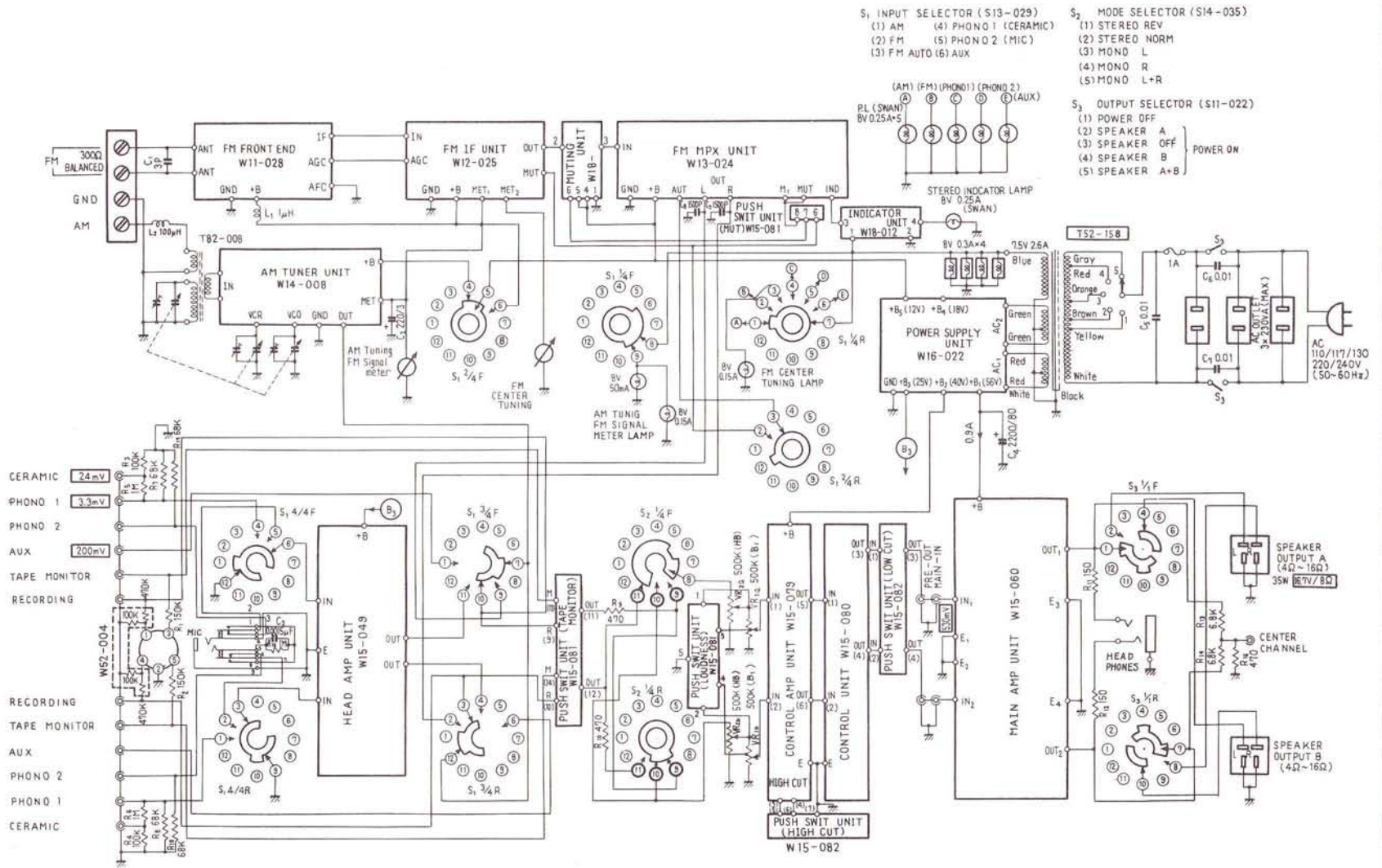


# POWER SUPPLY UNIT W16-024



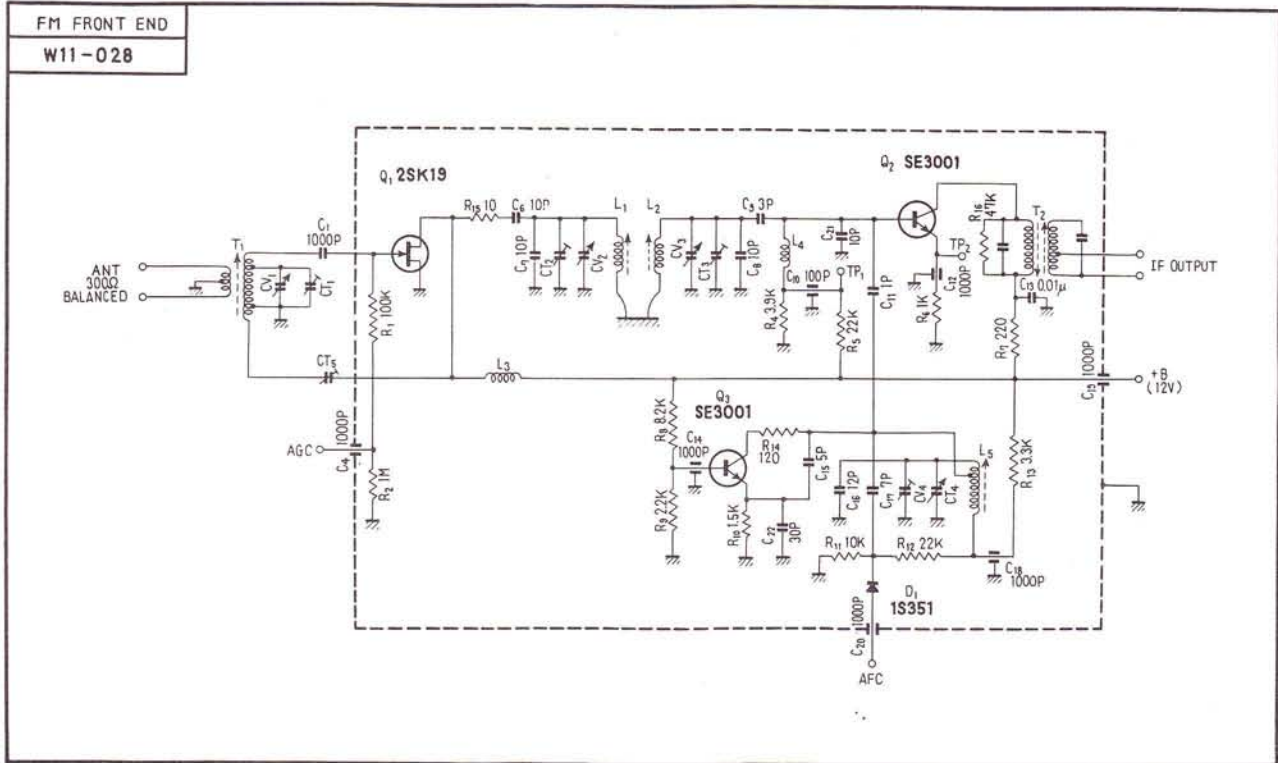


# Model SX-990 / FVW

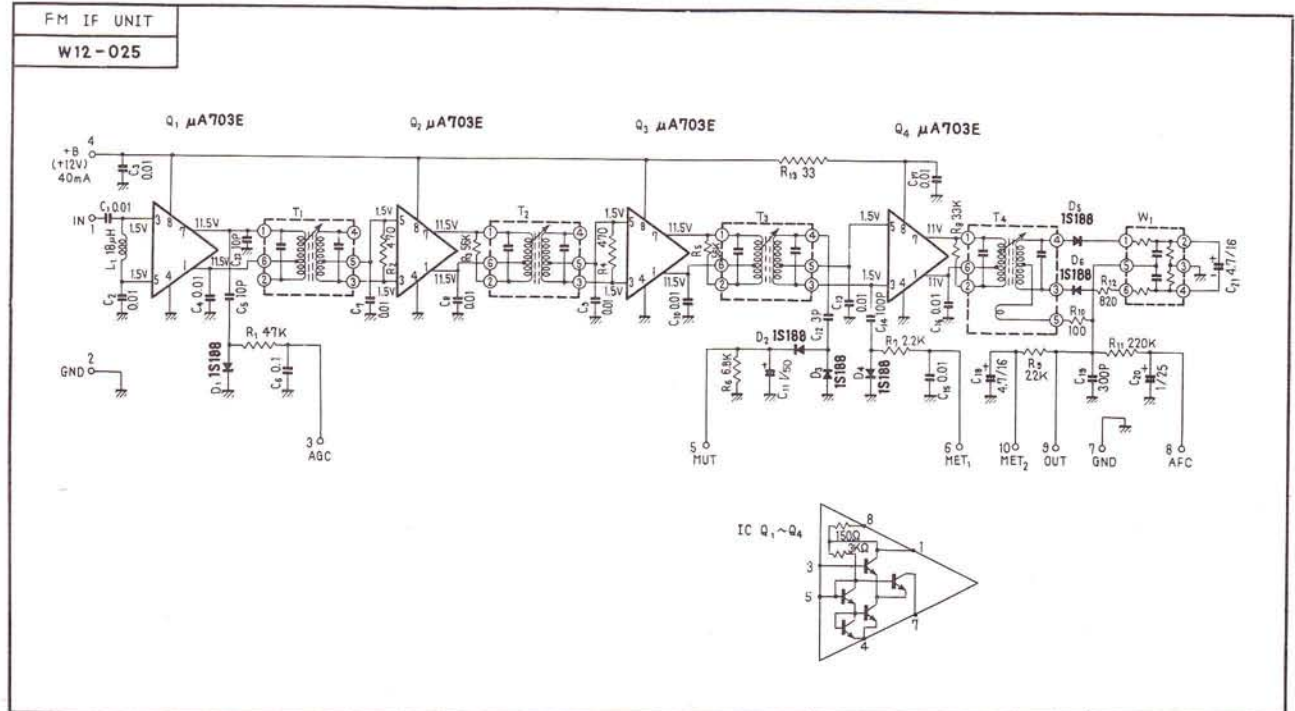


ITEM No	VACANT
R <sub>1</sub> ~ R <sub>16</sub>	
C <sub>1</sub> ~ C <sub>5</sub>	

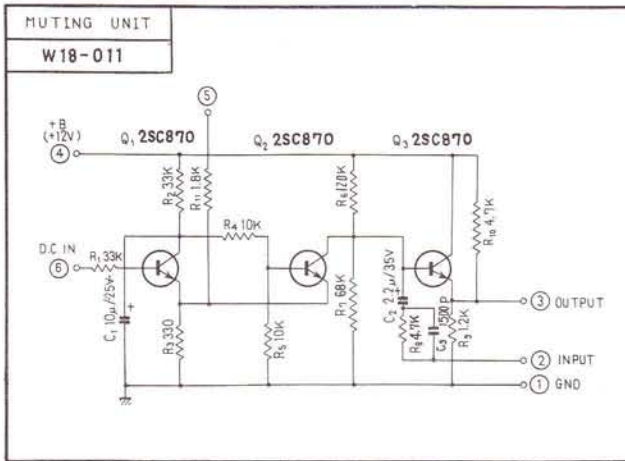
# FM FRONTEND W11-028



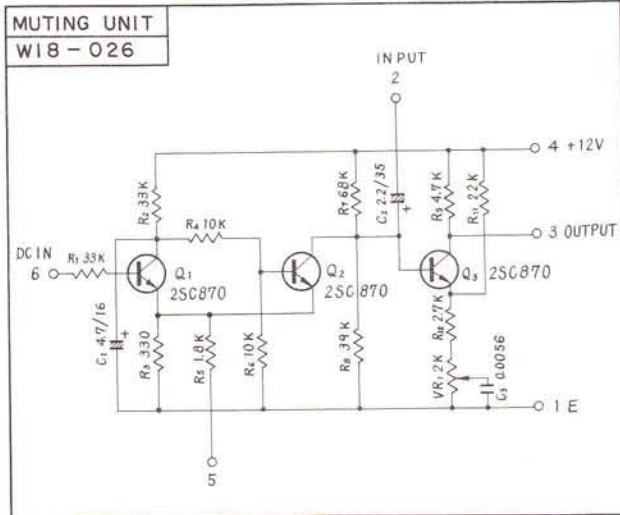
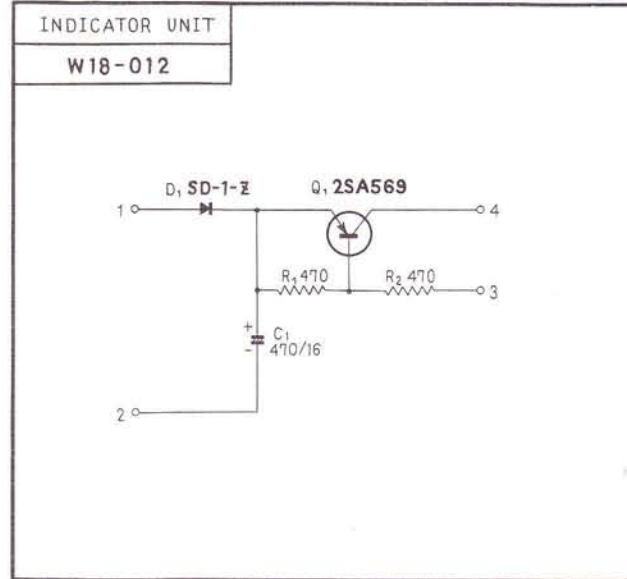
# FM IF UNIT W12-025



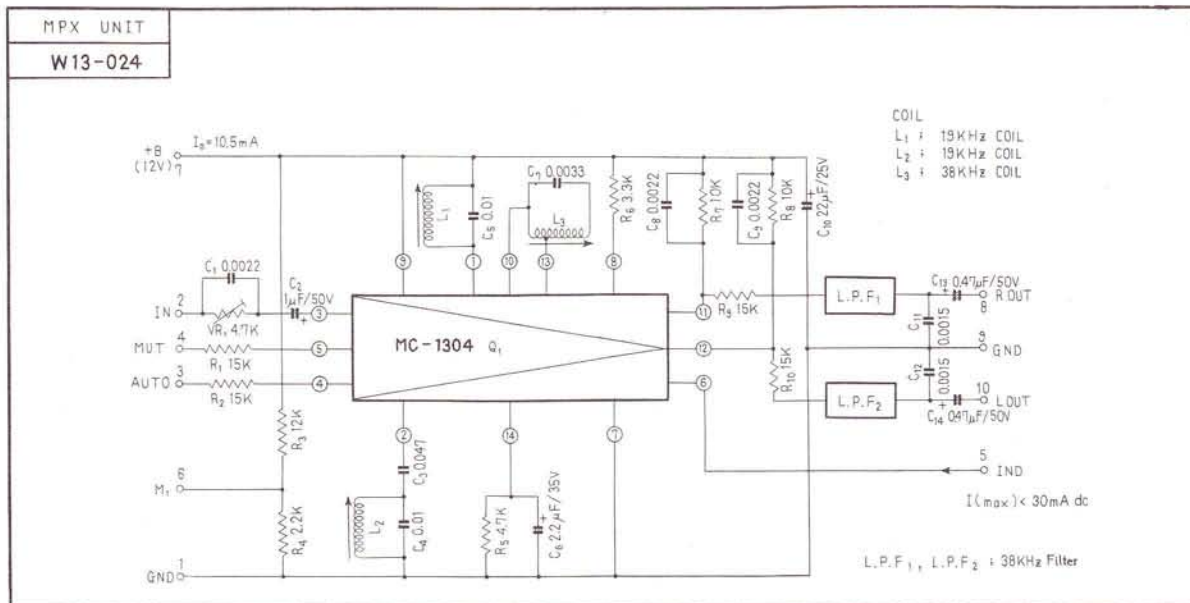
# MUTING UNIT W18-011 OR W18-026



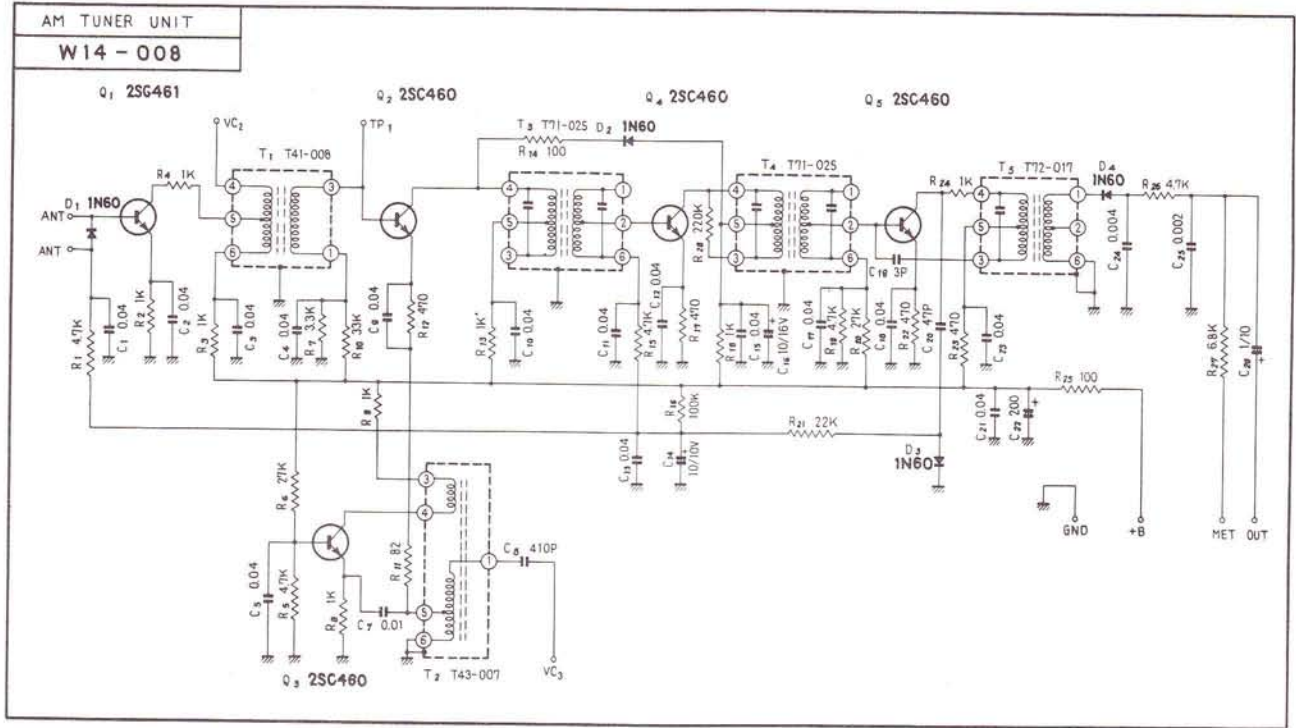
# INDICATOR UNIT W18-012



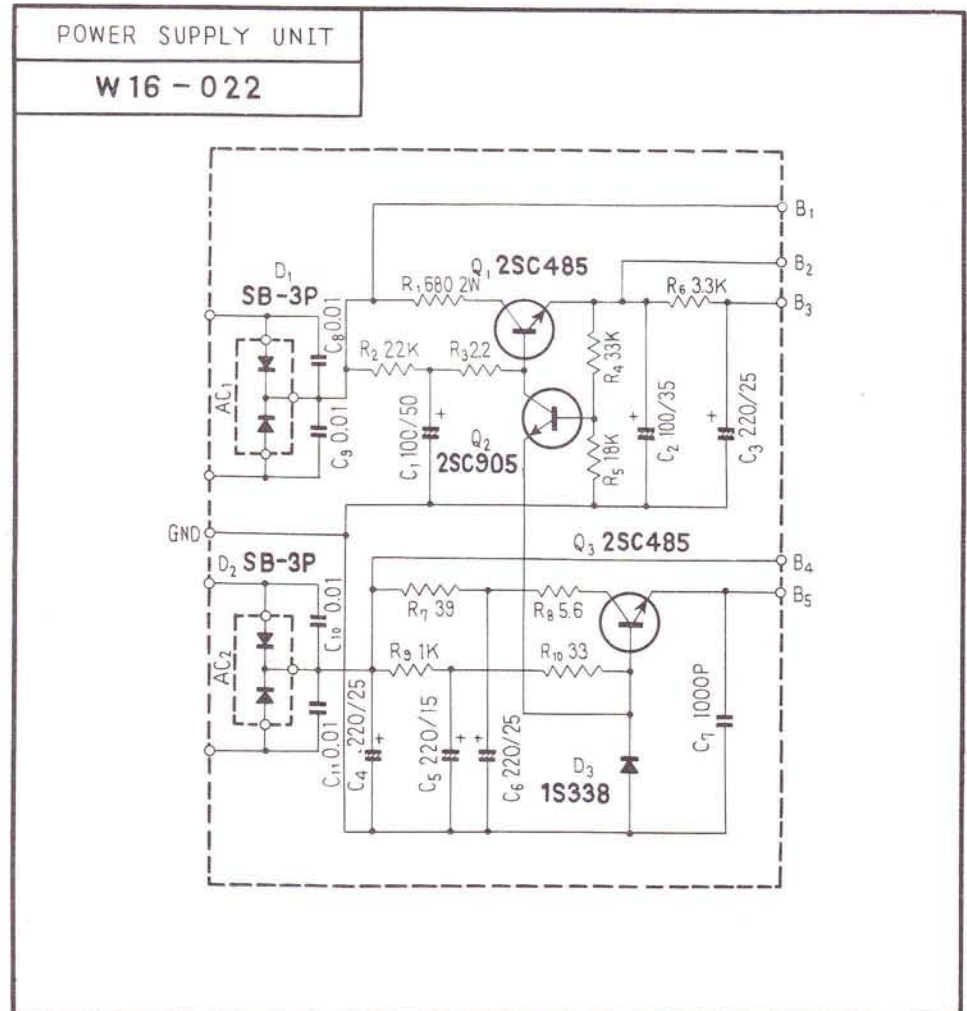
# MPX UNIT W13-024



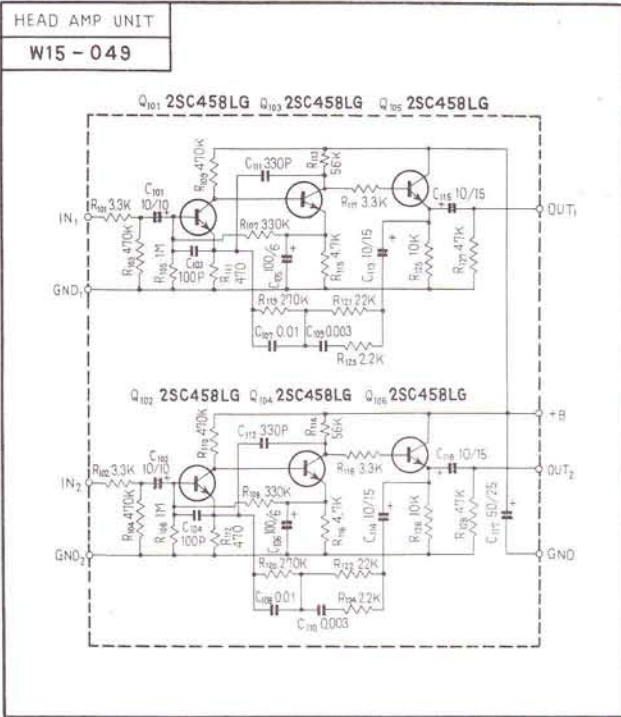
# AM TUNER UNIT W14-008



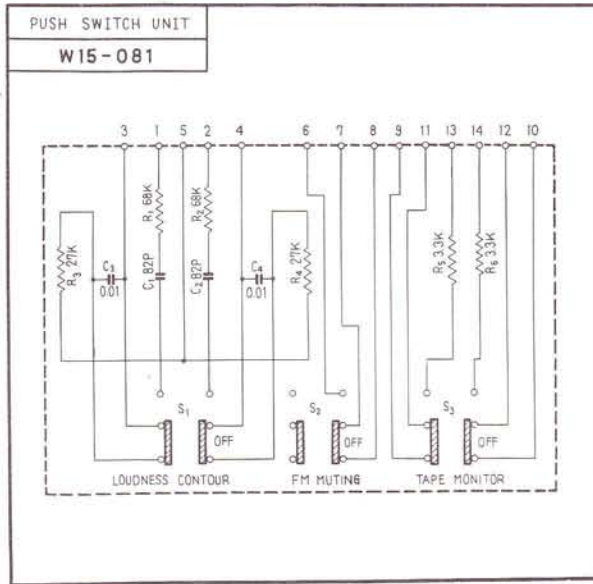
# POWER SUPPLY UNIT W16-022



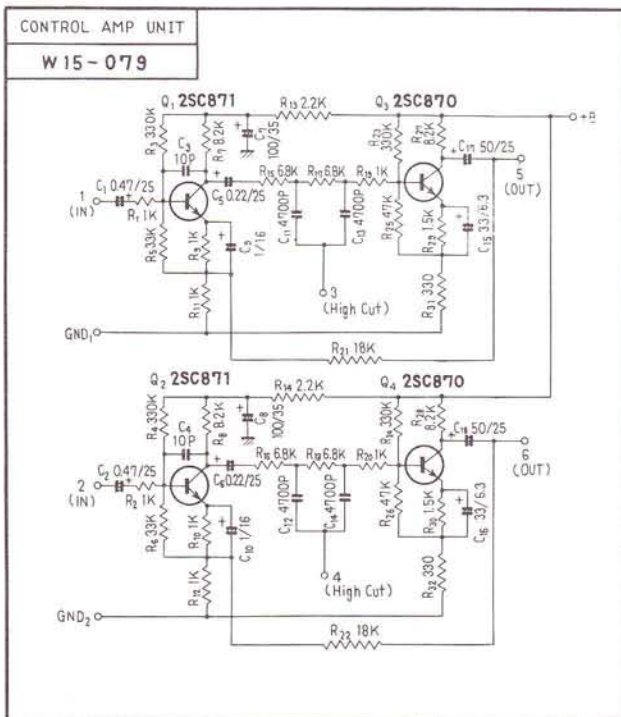
# HEAD AMP UNIT W15-049



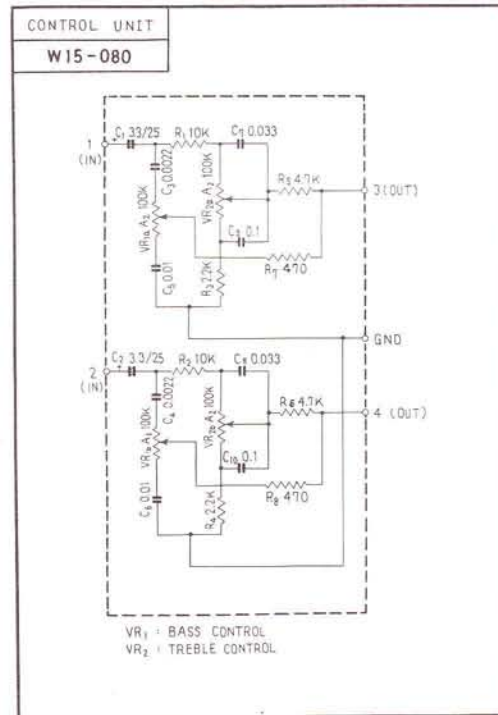
# PUSH SWITCH UNIT W15-081



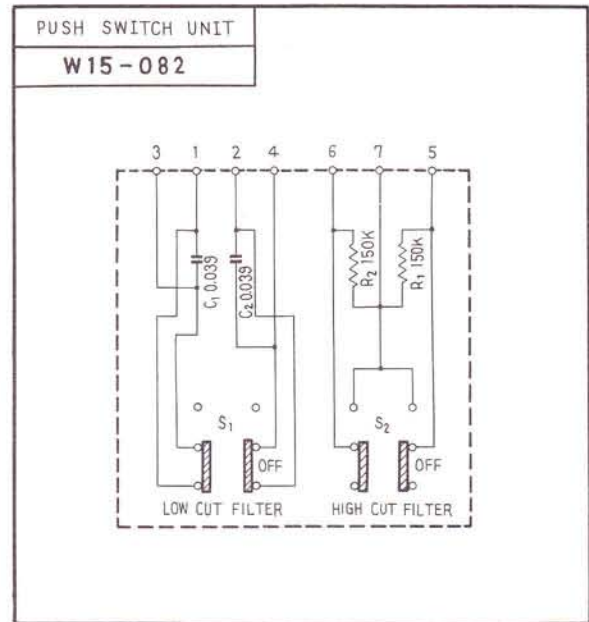
# CONTROL AMP UNIT W15-079



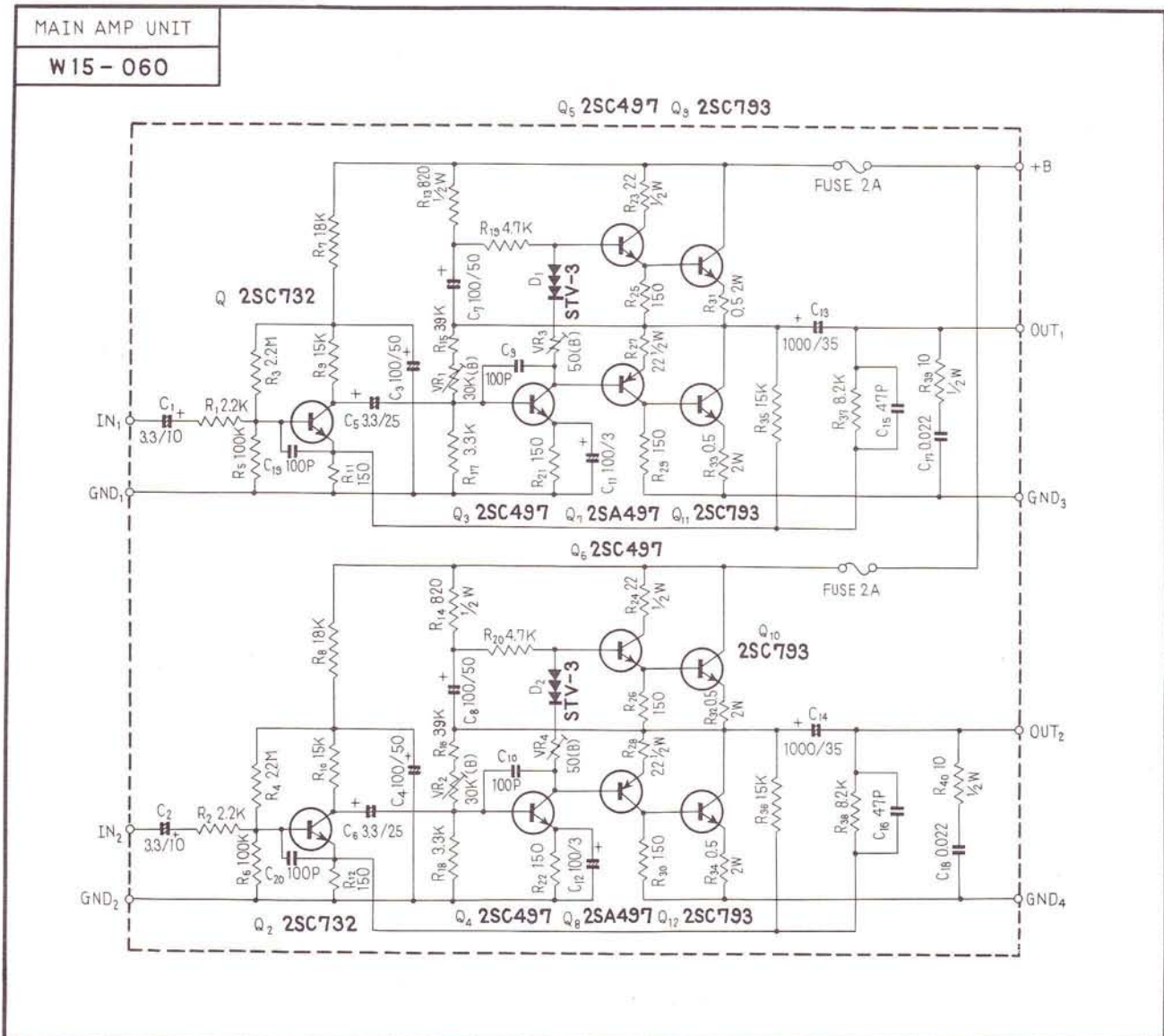
# CONTROL UNIT W15-080



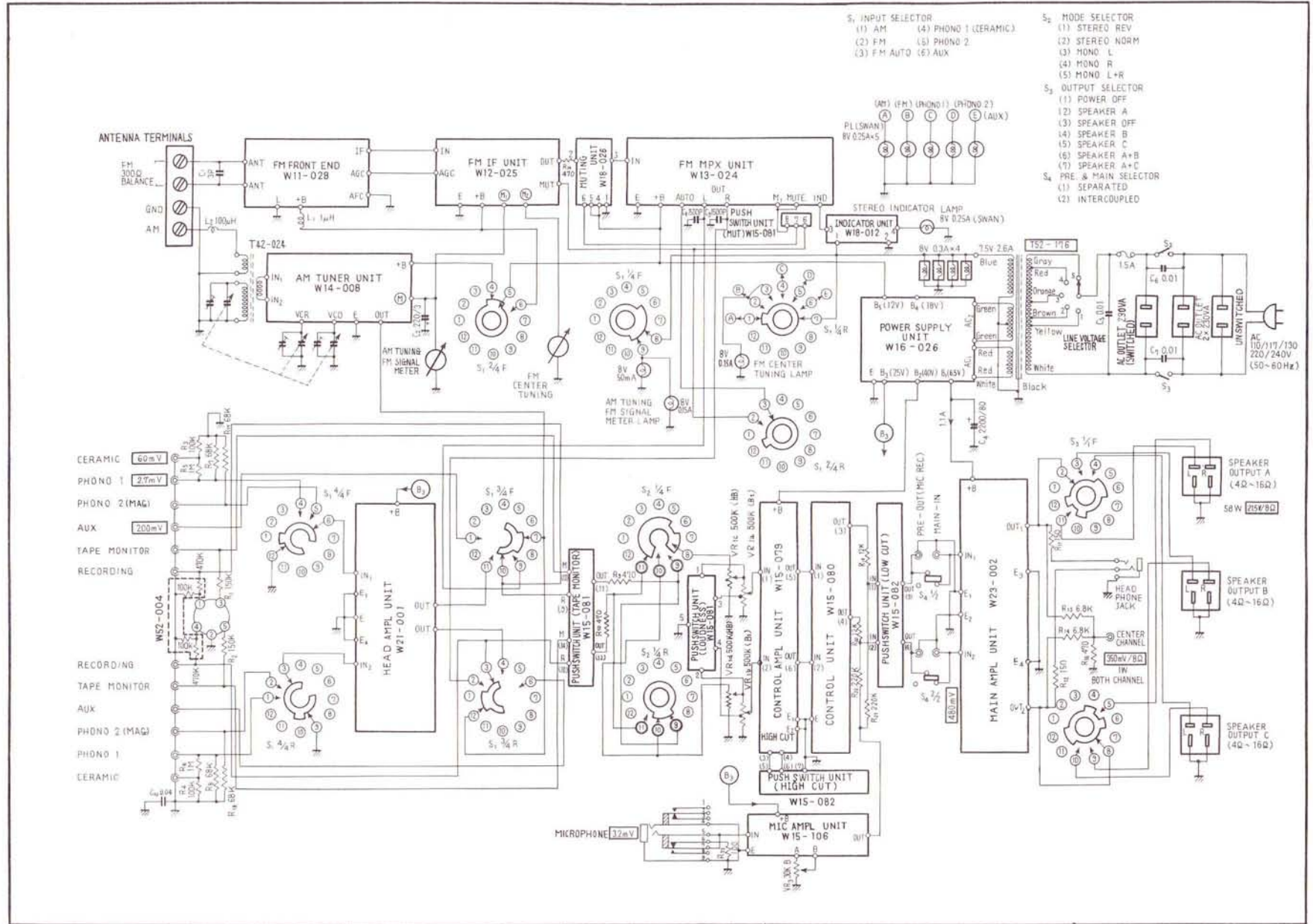
# PUSH SWITCH UNIT W15-082



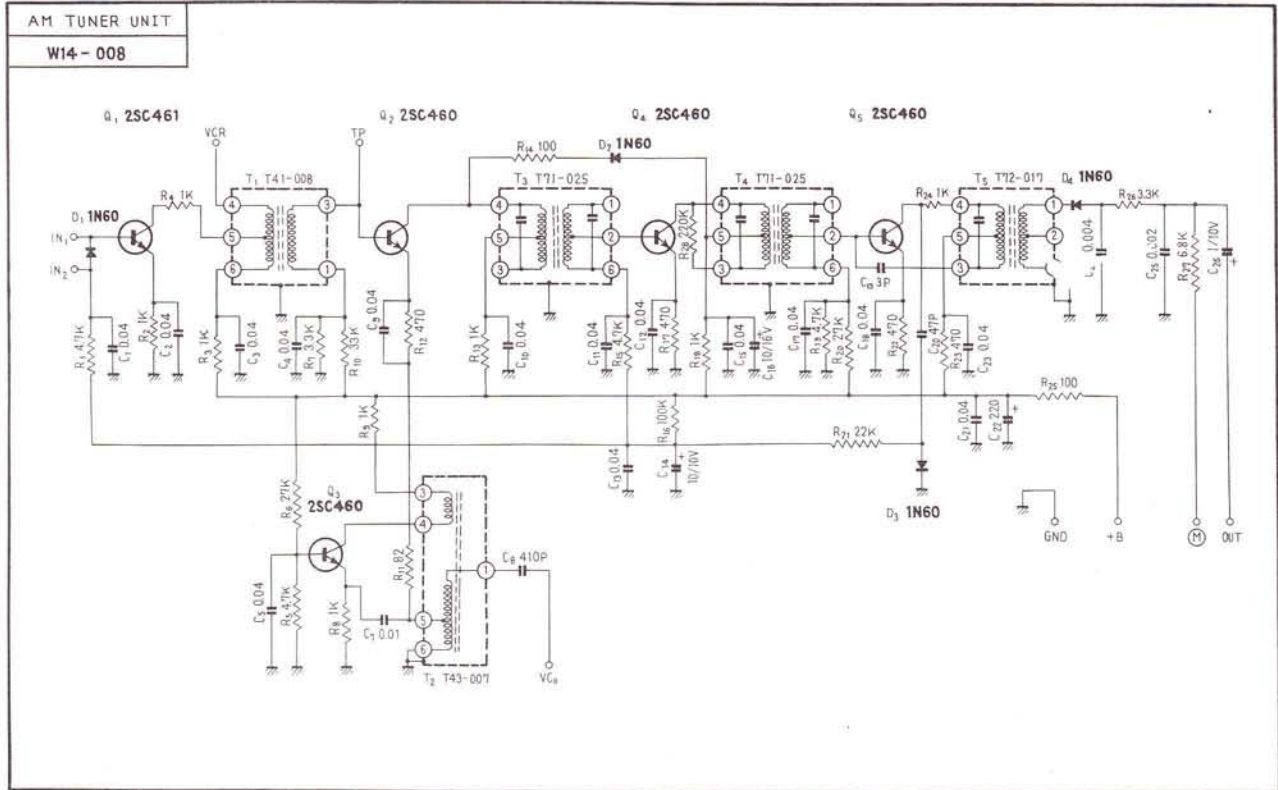
# MAIN AMP UNIT W15-060



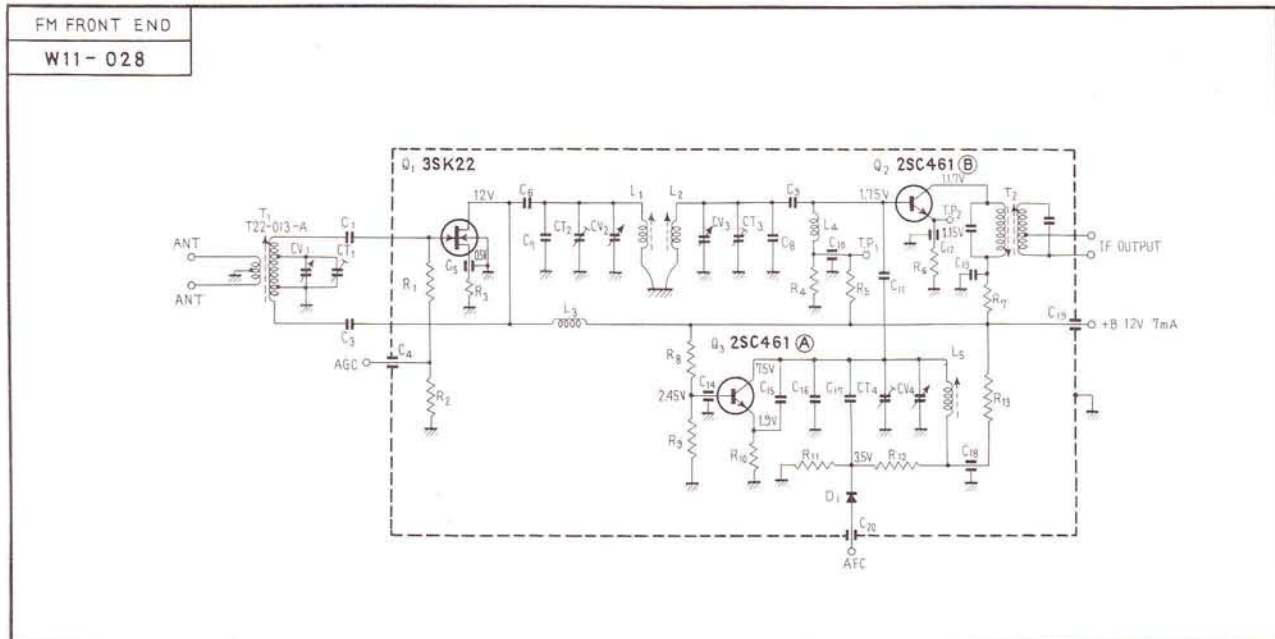
# Model SX-1500TD / FW



# AM TUNER UNIT W14-008

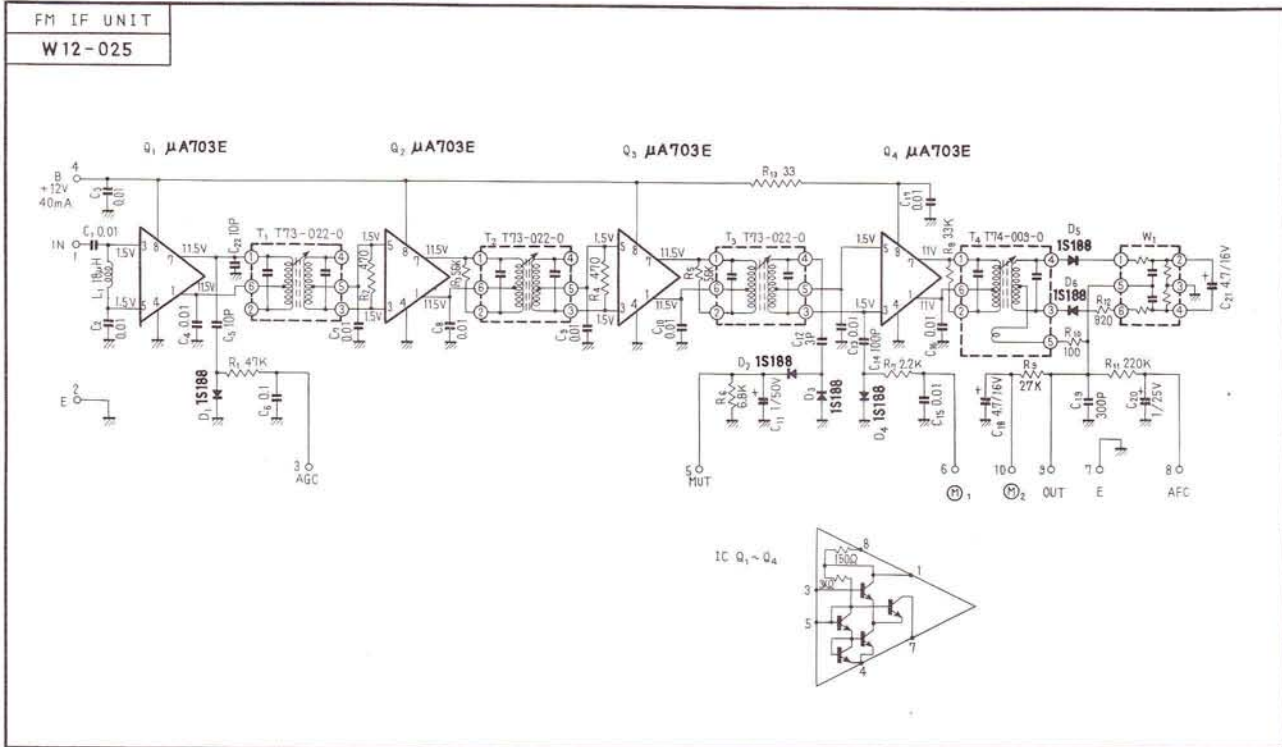


# FM FRONTEND W11-028

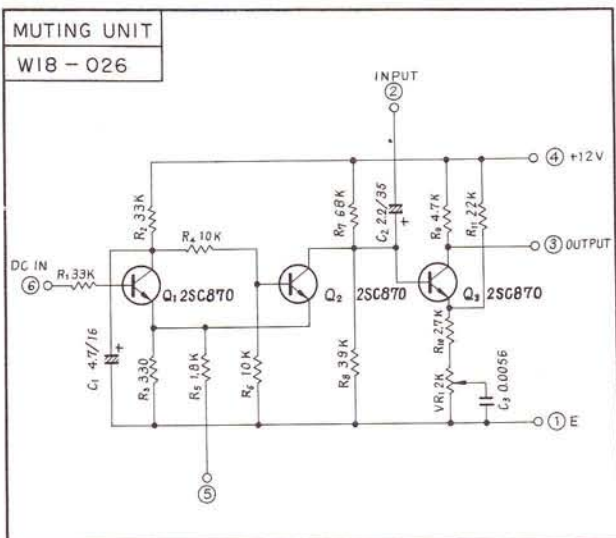




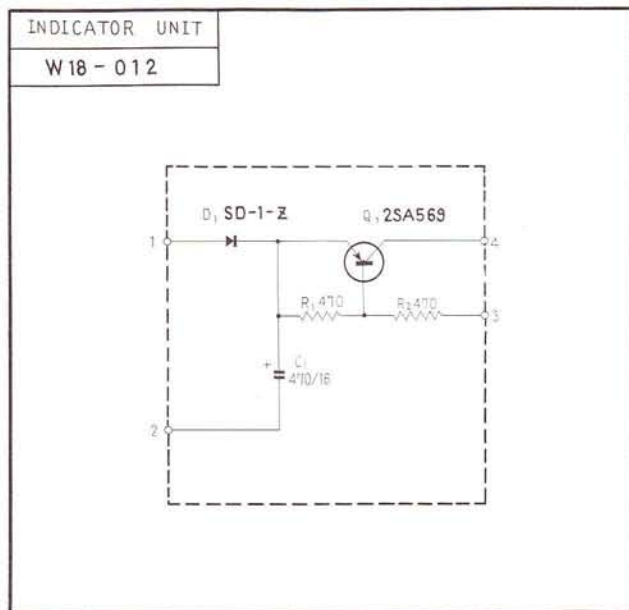
# FM IF UNIT W12-025



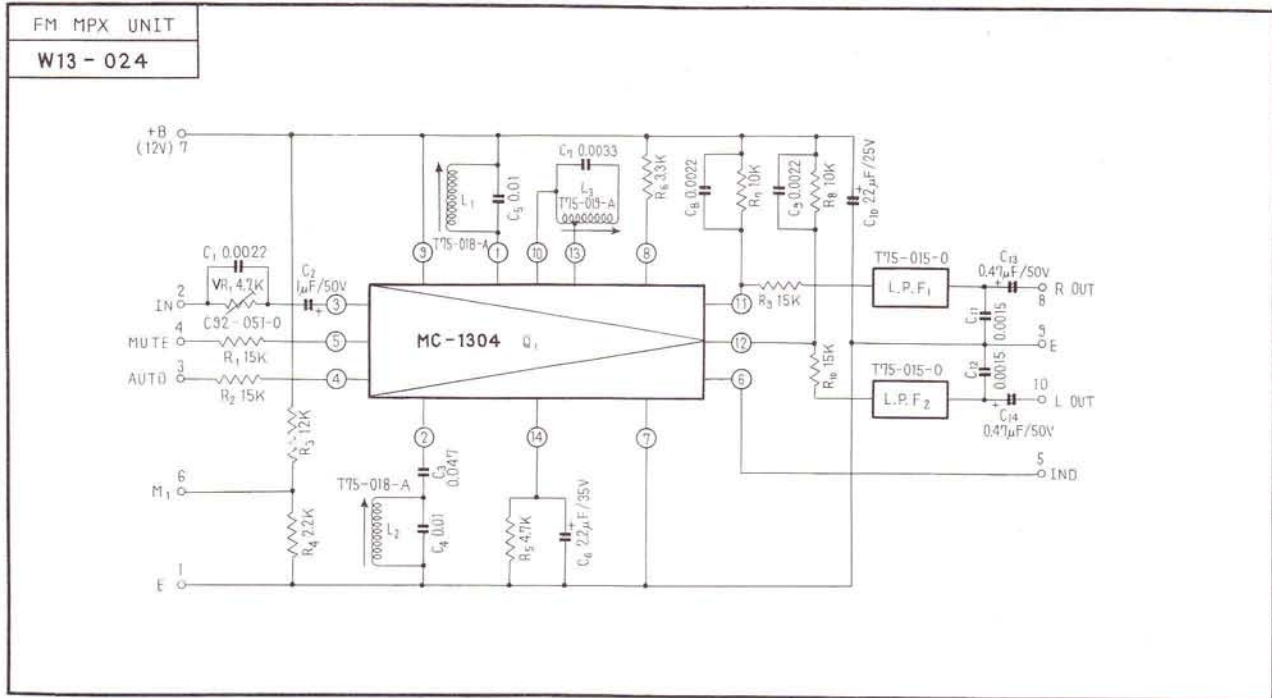
# MUTING UNIT W18-026



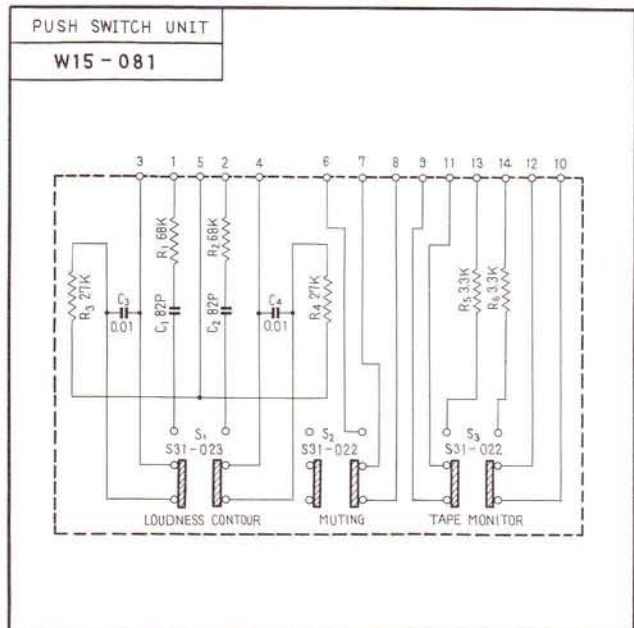
# INDICATOR UNIT W18-012



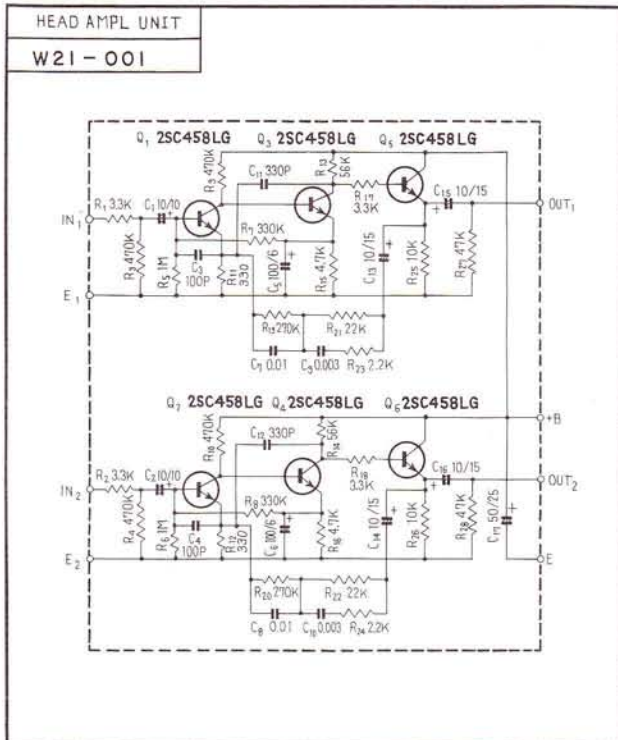
# FM MPX UNIT W13-024



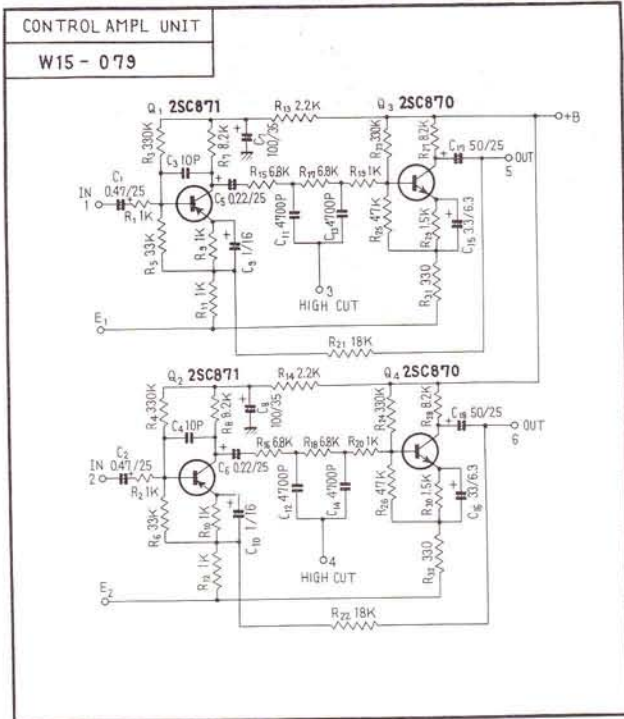
# PUSH SWITCH UNIT W15-081



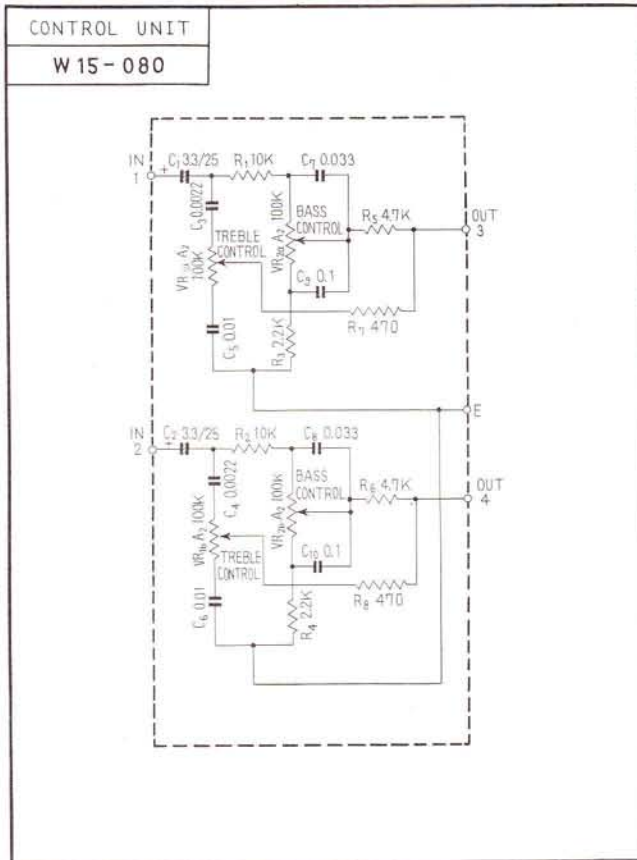
# HEAD AMPL UNIT W21-001



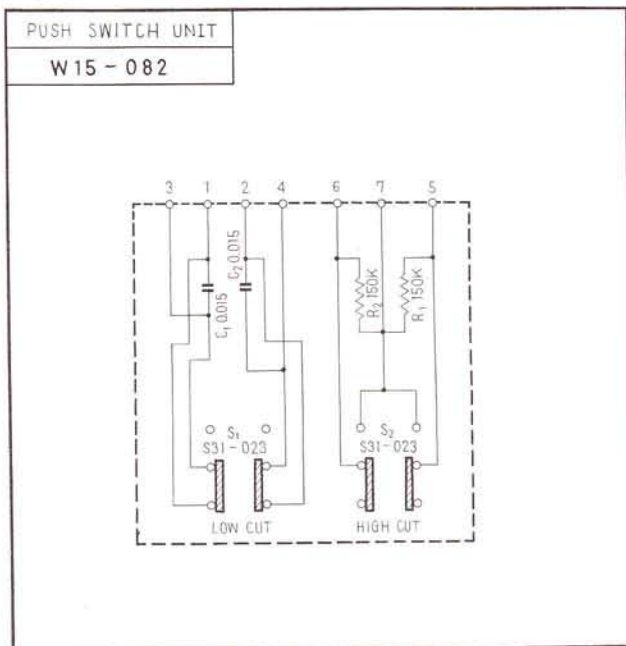
# CONTROL AMP UNIT W15-079



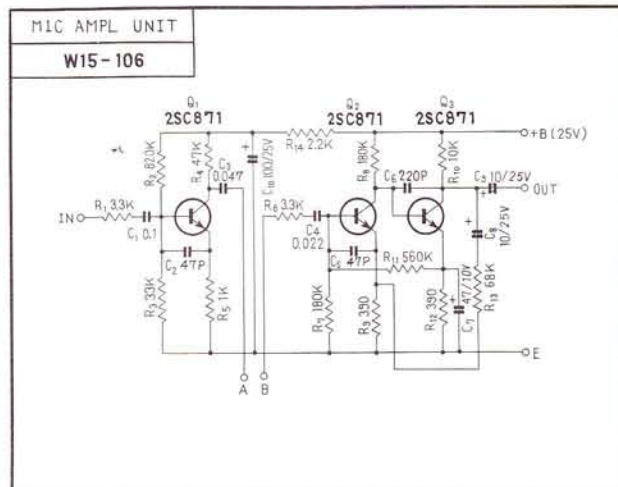
# CONTROL UNIT W15-080



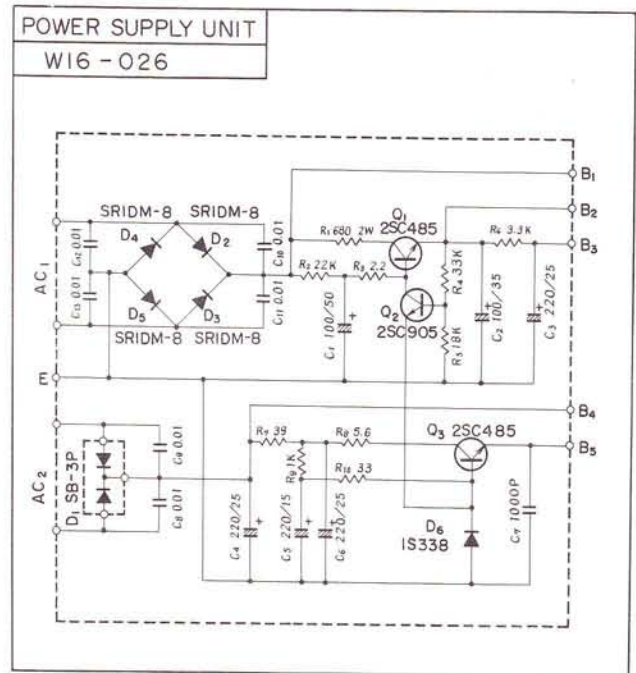
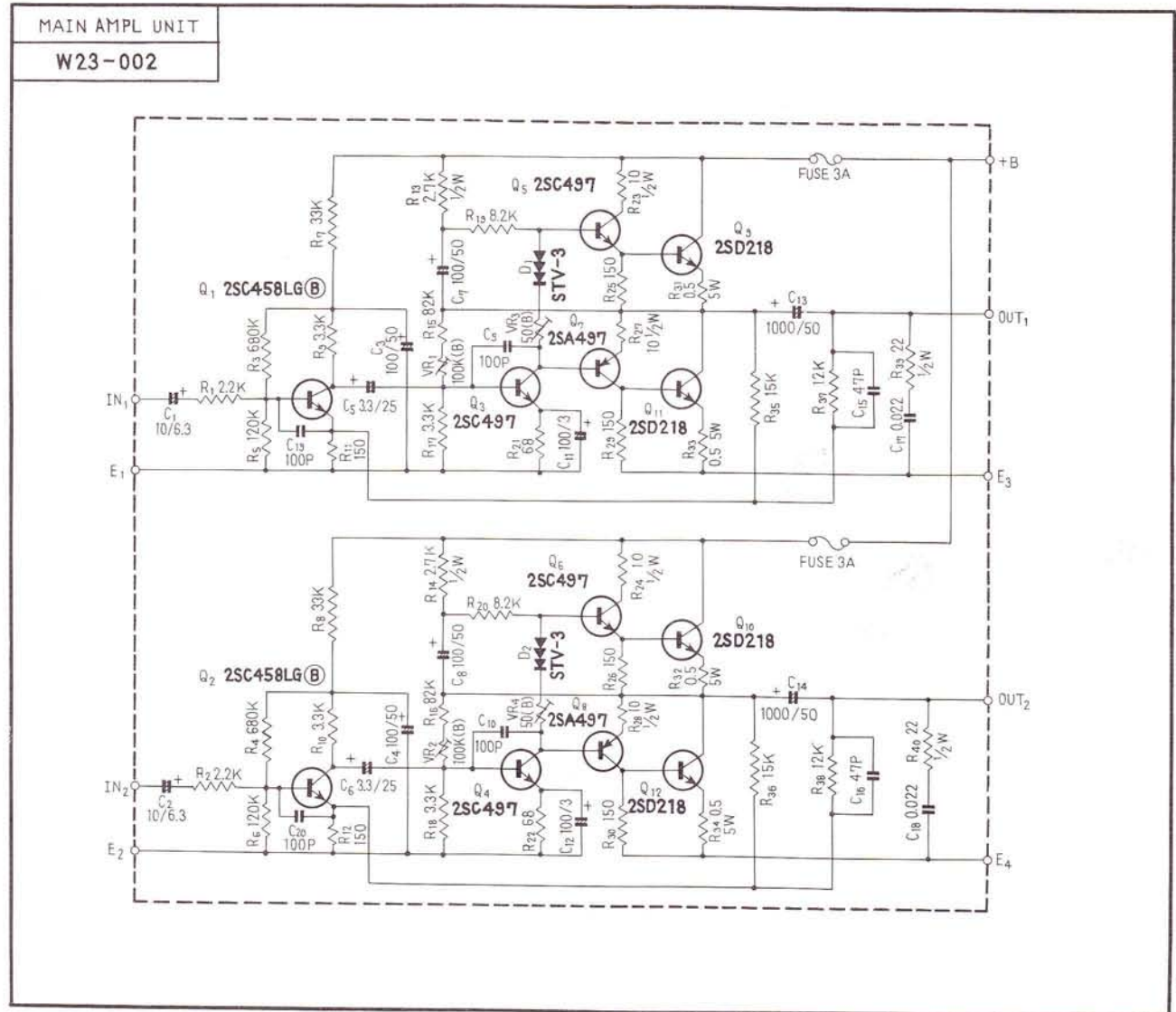
# PUSH SWITCH UNIT W15-082



# MIC AMP UNIT W15-106



# MAIN AMP UNIT W23-002



POWER SUPPLY UNIT  
W16-026

# SECTION 2

## STEREO AMPLIFIERS & STEREO TUNERS

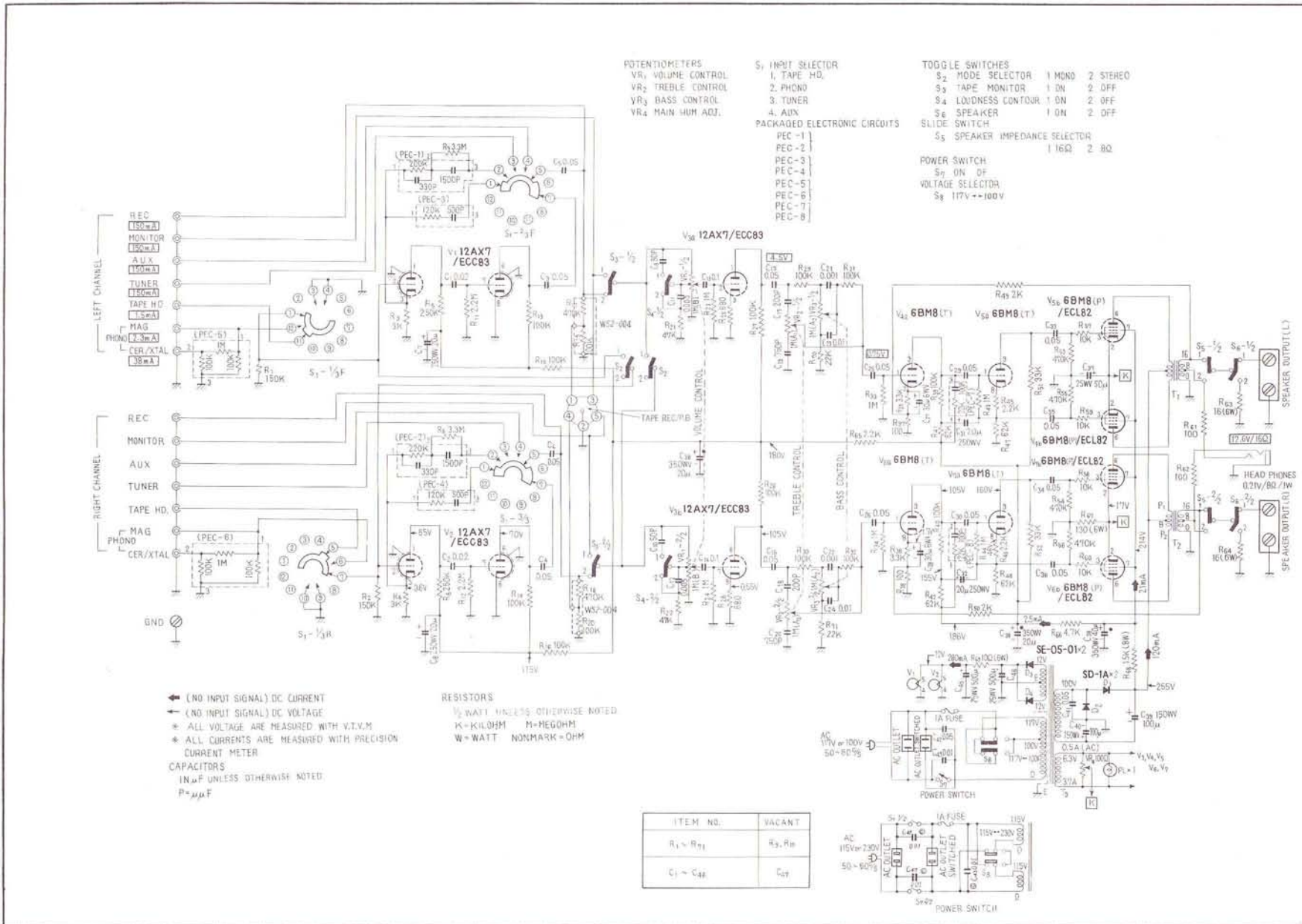


MODEL SA-900



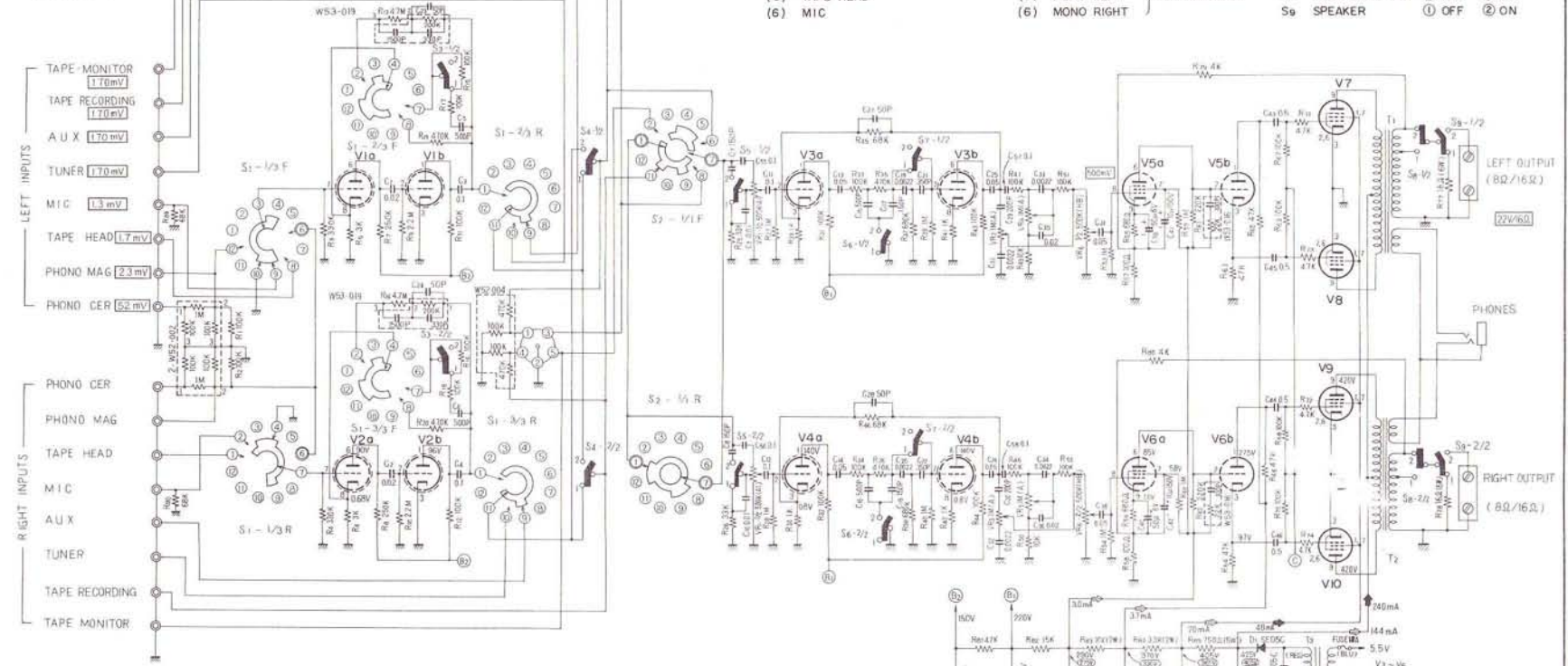
MODEL TX-900

# STEREO AMPLIFIER Model SA-400



# Model SA-810 (F), SA-810

INPUT VOLTAGE TO ACQUIRE 30W AT 1 Hz OUTPUT



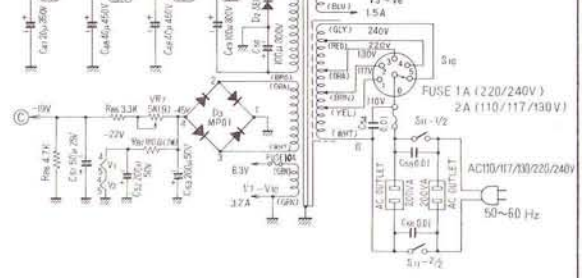
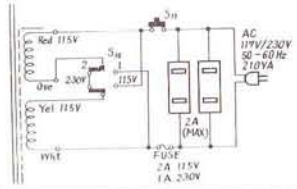
- S1 INPUT SELECTOR**  
 (1) AUX  
 (2) TUNER  
 (3) PHONO - MONO  
 (4) PHONO - STEREO  
 (5) TAPE HEAD  
 (6) MIC
- S2 MODE SELECTOR**  
 (1) MONO RIGHT  
 (2) MONO LEFT  
 (3) STEREO  
 (4) STEREO  
 (5) MONO LEFT  
 (6) MONO RIGHT
- TOGGLE SWITCHES**  
 S3 TAPE EQUALIZER (1) 7 1/2 INCH (2) 3 3/4 INCH  
 S4 INPUT (1) NORM (2) REV  
 S5 LOUDNESS (1) OFF (2) ON  
 S6 HIGH CUT FILTER (1) OFF (2) ON  
 S7 LOW CUT FILTER (1) OFF (2) ON  
 S9 SPEAKER (1) OFF (2) ON

- SLIDE SWITCHES**  
 S8 SPEAKER IMPEDANCE (1) 8Ω (2) 16Ω  
 S10 LINE VOLTAGE SELECTOR  
 S11 PUSH SWITCH
- POTENTIOMETERS**  
 VR1 VOLUME  
 VR2 TREBLE  
 VR3 TREBLE  
 VR4 BASS  
 VR5 BASS  
 VR6 BALANCE  
 VR7 BIAS LEVEL ADJ.

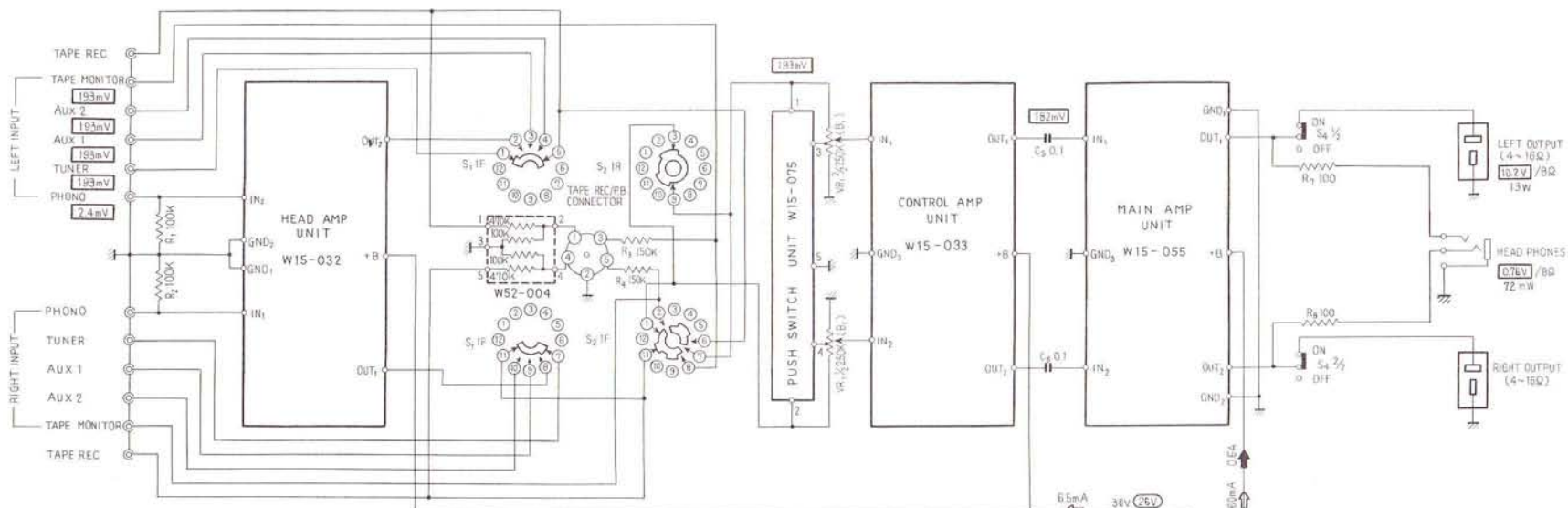
- CAPACITORS**  
 IN μF, 10% TOLERANCE EXCEPT ELECTROLYTIC  
 P = μpF
- V1 V2 V3 V4 ..... 12 AX7A  
 V5 V6 ..... 6AN8  
 V7 V8 V9 V10 ..... 7868

- RESISTORS**  
 IN OHM, 10% TOLERANCE, 1/2 WATTS UNLESS OTHERWISE NOTED  
 K = KILOHM  
 M = MEGOHM

- VOLTAGES, CURRENTS**  
 ○ NO INPUT SIGNAL (D.C. CURRENT)  
 ◻ MAX INPUT SIGNAL (D.C. CURRENT)  
 V - NO INPUT SIGNAL (D.C. VOLTAGE)  
 ◻ - MAX INPUT SIGNAL (D.C. VOLTAGE)



# Model SA-500 / F



- S<sub>1</sub> : INPUT SELECTOR**  
 (1) TUNER  
 (2) PHONO  
 (3) AUX 1  
 (4) AUX 2

- PUSH SWITCH**  
 S<sub>2</sub> SPEAKERS ON ↔ OFF  
 S<sub>3</sub> POWER SWITCH ON ↔ OFF  
 S<sub>4</sub> LINE VOLTAGE SELECTOR

- S<sub>2</sub> : MODE SELECTOR**  
 MODE TAPE MON  
 (1) RIGHT (4) STEREO  
 (2) LEFT (5) LEFT  
 (3) STEREO (6) RIGHT

- POTENTIOMETERS**  
 VR<sub>1</sub> VOLUME CONTROL  
 VR<sub>2</sub> TREBLE CONTROL  
 VR<sub>3</sub> BASS CONTROL

- RESISTORS**  
 NON MARK : OHM  
 K : KILOHM  
 M : MEGOHM

- CAPACITORS**  
 NON MARK : μF  
 P : μμF

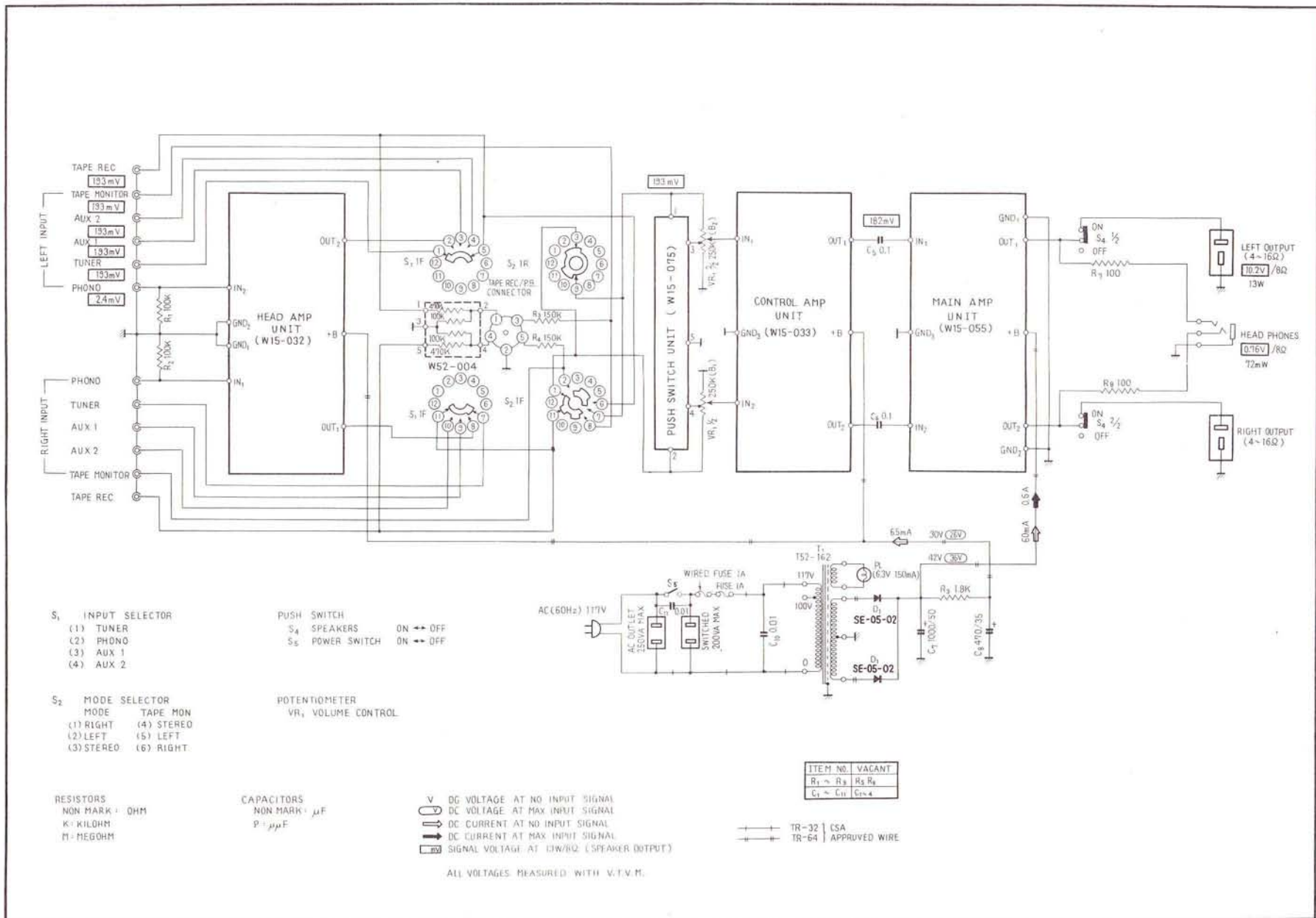
- V DC VOLTAGE AT NO INPUT SIGNAL  
 V DC VOLTAGE AT MAX INPUT SIGNAL  
 I DC CURRENT AT NO INPUT SIGNAL  
 I DC CURRENT AT MAX INPUT SIGNAL  
 mV SIGNAL VOLTAGE AT 11W/8Ω (SPEAKER OUTPUT)

ALL VOLTAGES MEASURED WITH V.T.V.M.

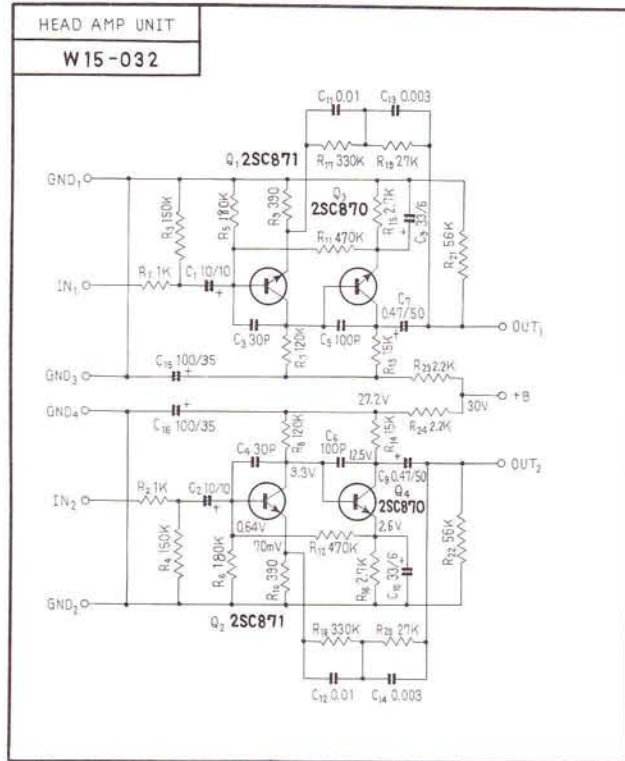
ITEM NO.	VACANT
R <sub>1</sub> ~ R <sub>3</sub>	R <sub>3</sub> R <sub>2</sub>
C <sub>1</sub> ~ C <sub>10</sub>	C <sub>1</sub> ~ 4



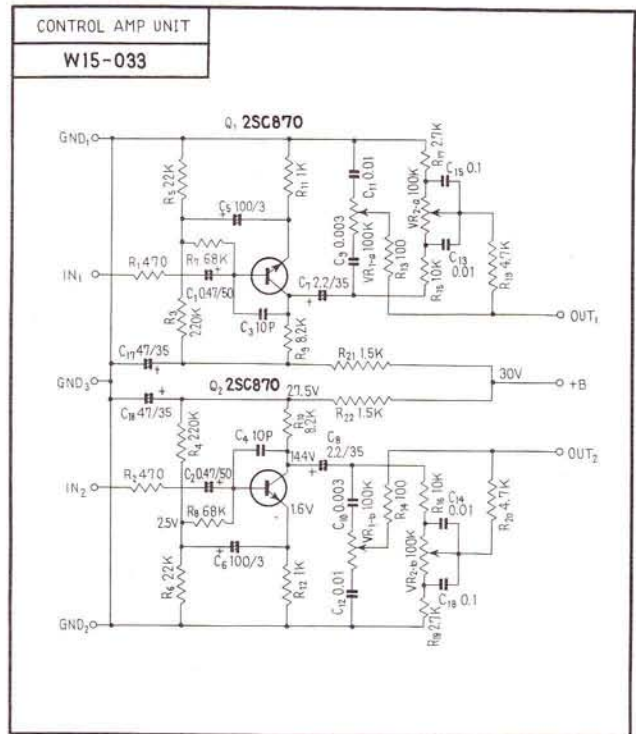
# Model SA-500 / KC



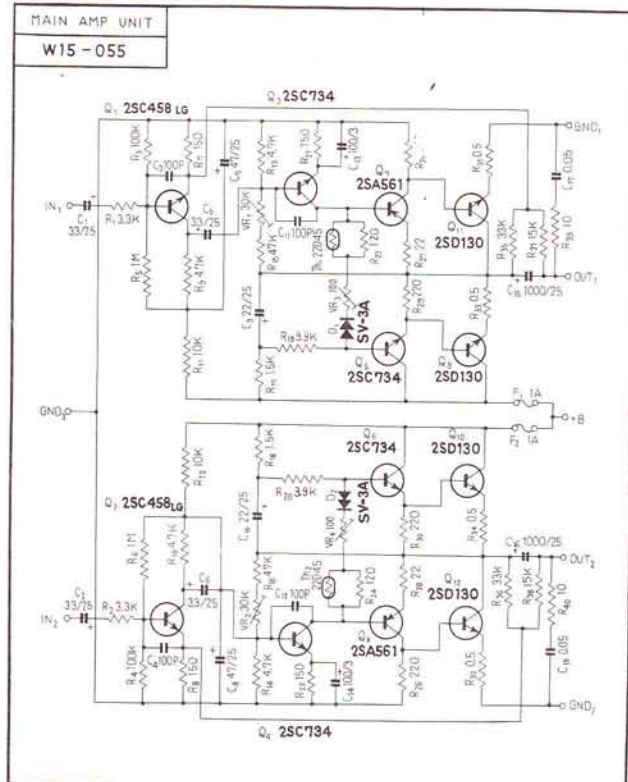
# HEAD AMP UNIT W15-032



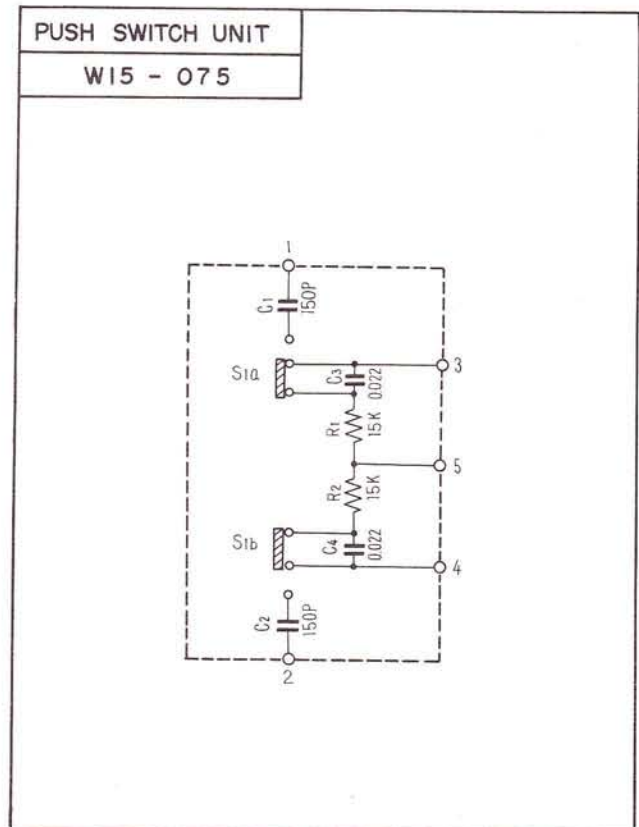
# CONTROL AMP UNIT W15-033



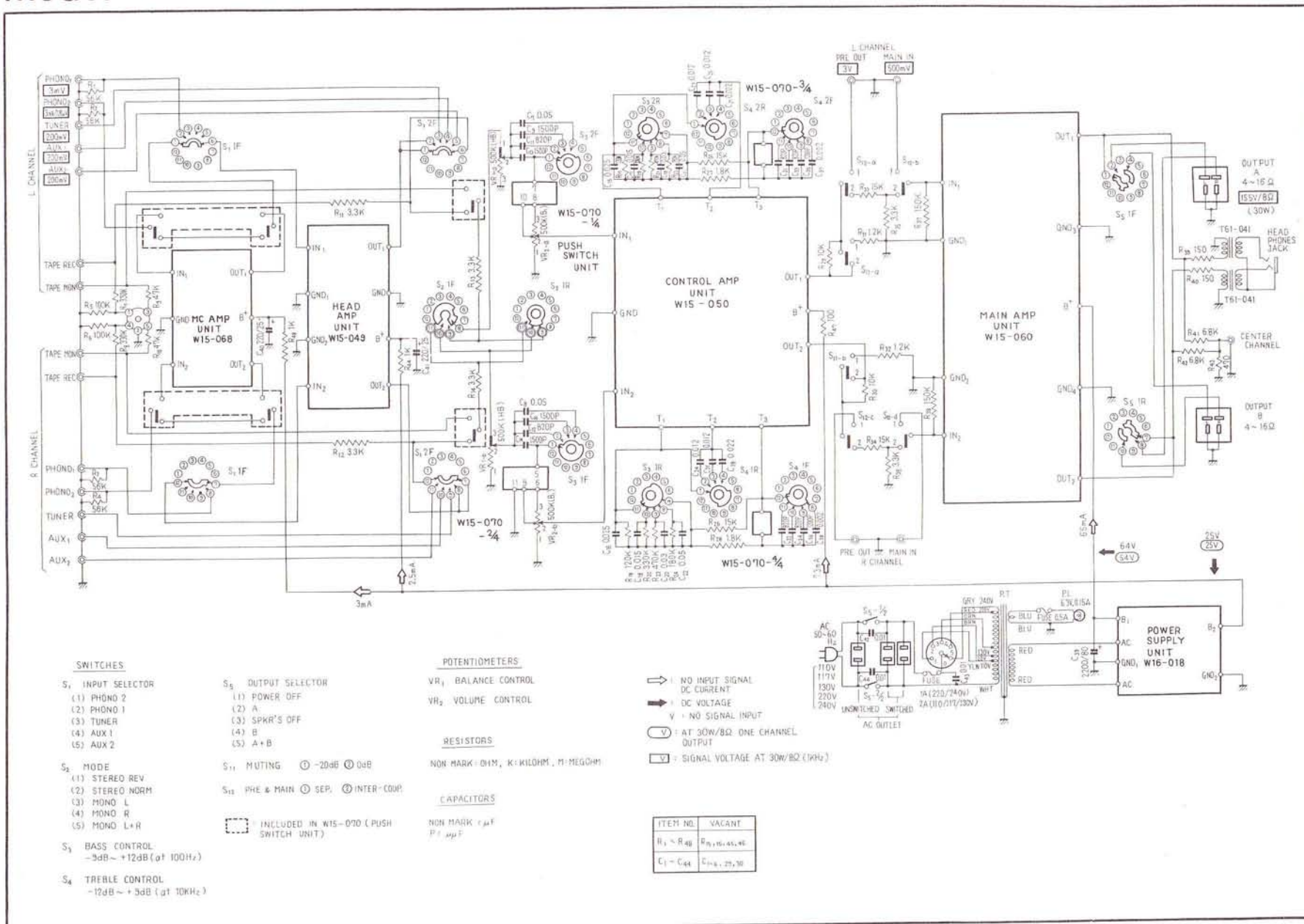
# MAIN AMP UNIT W15-055



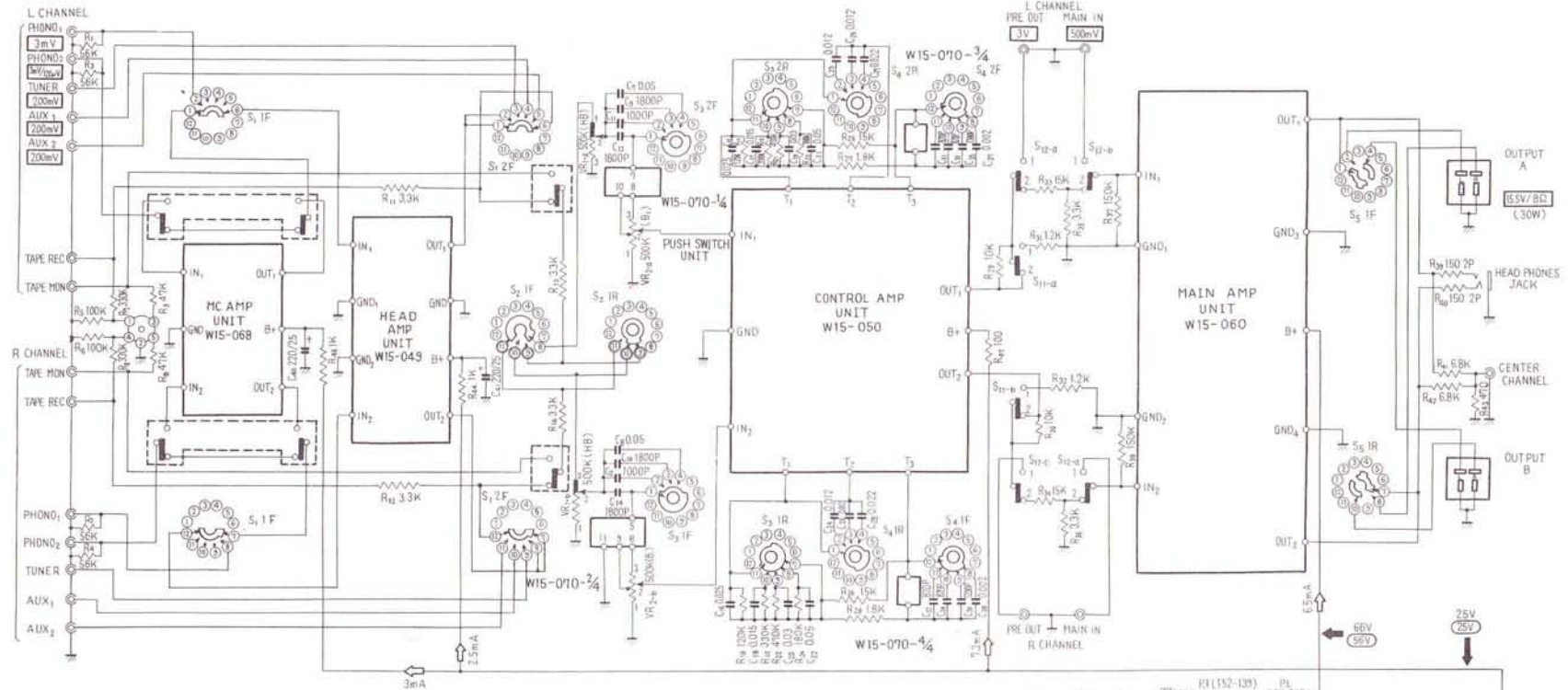
# PUSH SWITCH UNIT W15-075



# Model SA-700/F



# Model SA-700 / K



### SWITCHES

#### S<sub>1</sub> INPUT SELECTOR

- (1) PHONO<sub>2</sub>
- (2) PHONO<sub>1</sub>
- (3) TUNER
- (4) AUX<sub>1</sub>
- (5) AUX<sub>2</sub>

#### S<sub>2</sub> MODE

- (1) STEREO REV
- (2) STEREO NORM
- (3) MONO L
- (4) MONO R
- (5) MONO L+R

#### S<sub>3</sub> BASS CONTROL

-3dB ~ +12dB (at 100Hz)

#### S<sub>4</sub> TREBLE CONTROL

-12dB ~ +3dB (at 10KHz)

#### S<sub>5</sub> OUTPUT SELECTOR

- (1) POWER OFF
- (2) A
- (3) SPKR'S OFF
- (4) B
- (5) A + B

#### S<sub>11</sub> MUTING

○-20dB ○0dB

#### S<sub>12</sub> PRE & MAIN

○SEP ○INTER-COUPL

INCL. IN W15-070 (PUSH SWITCH UNIT)

### POTENTIOMETERS

#### VR<sub>1</sub> BALANCE CONTROL

#### VR<sub>2</sub> VOLUME CONTROL

### RESISTORS

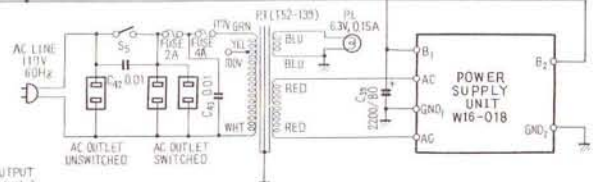
NON MARK: Ω, OHM, K: KILOHM, M: MEGOHM

### CAPACITORS

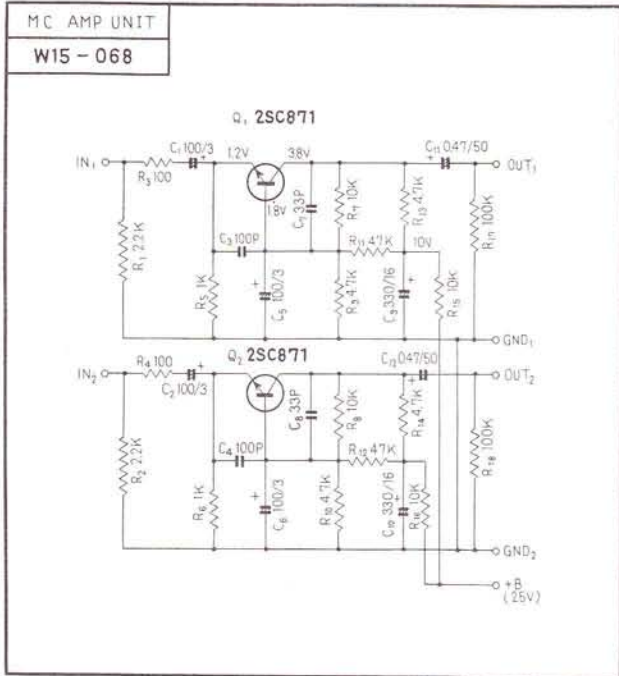
NON MARK: μF, P: μμF

- NO INPUT SIGNAL DC CURRENT
- DC VOLTAGE
- Y NO SIGNAL INPUT
- AT 30W/BD ONE CHANNEL OUTPUT
- SIGNAL VOLTAGE AT 30W/BD (1KHz)

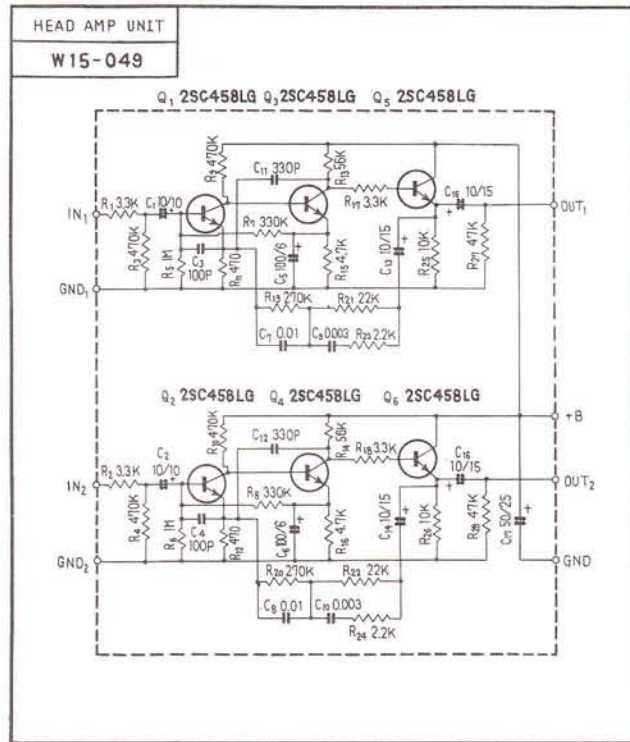
ITEM NO.	VACANT
R <sub>1</sub> ~ R <sub>48</sub>	R <sub>10</sub> , W, 10, 48
C <sub>1</sub> ~ C <sub>12</sub>	C <sub>1</sub> , C, 12, 10



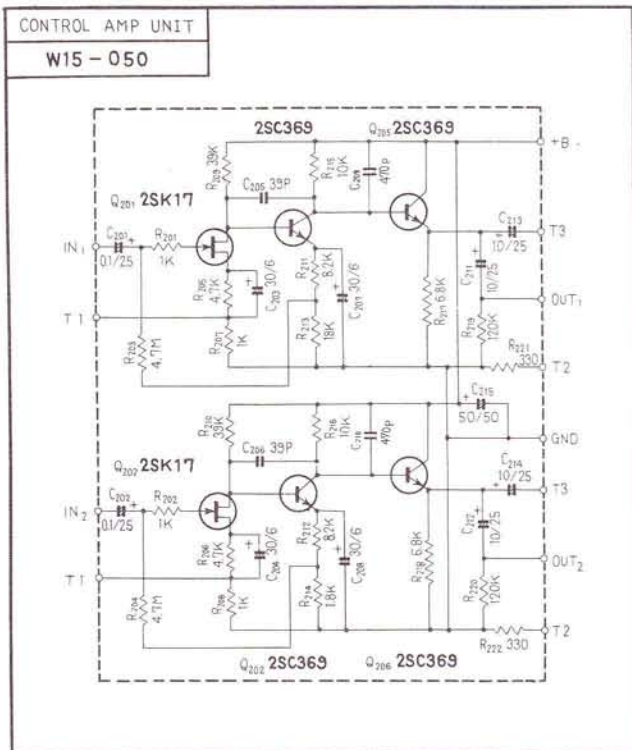
# MC AMP UNIT W15-068



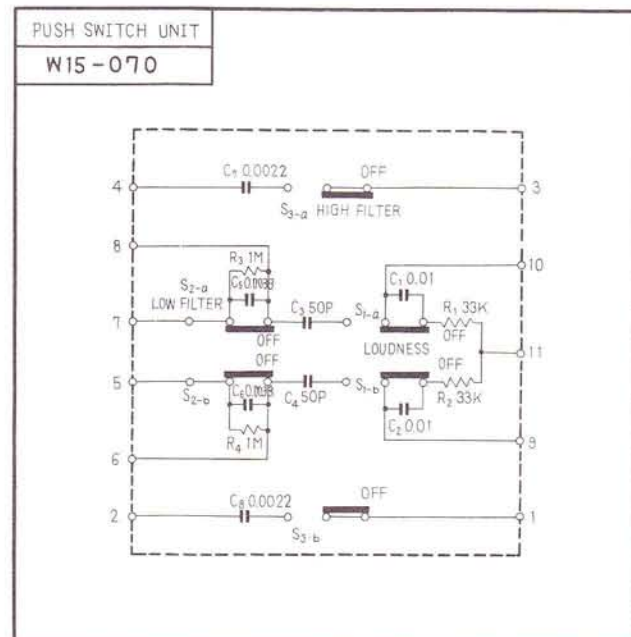
# HEAD AMP UNIT W15-049



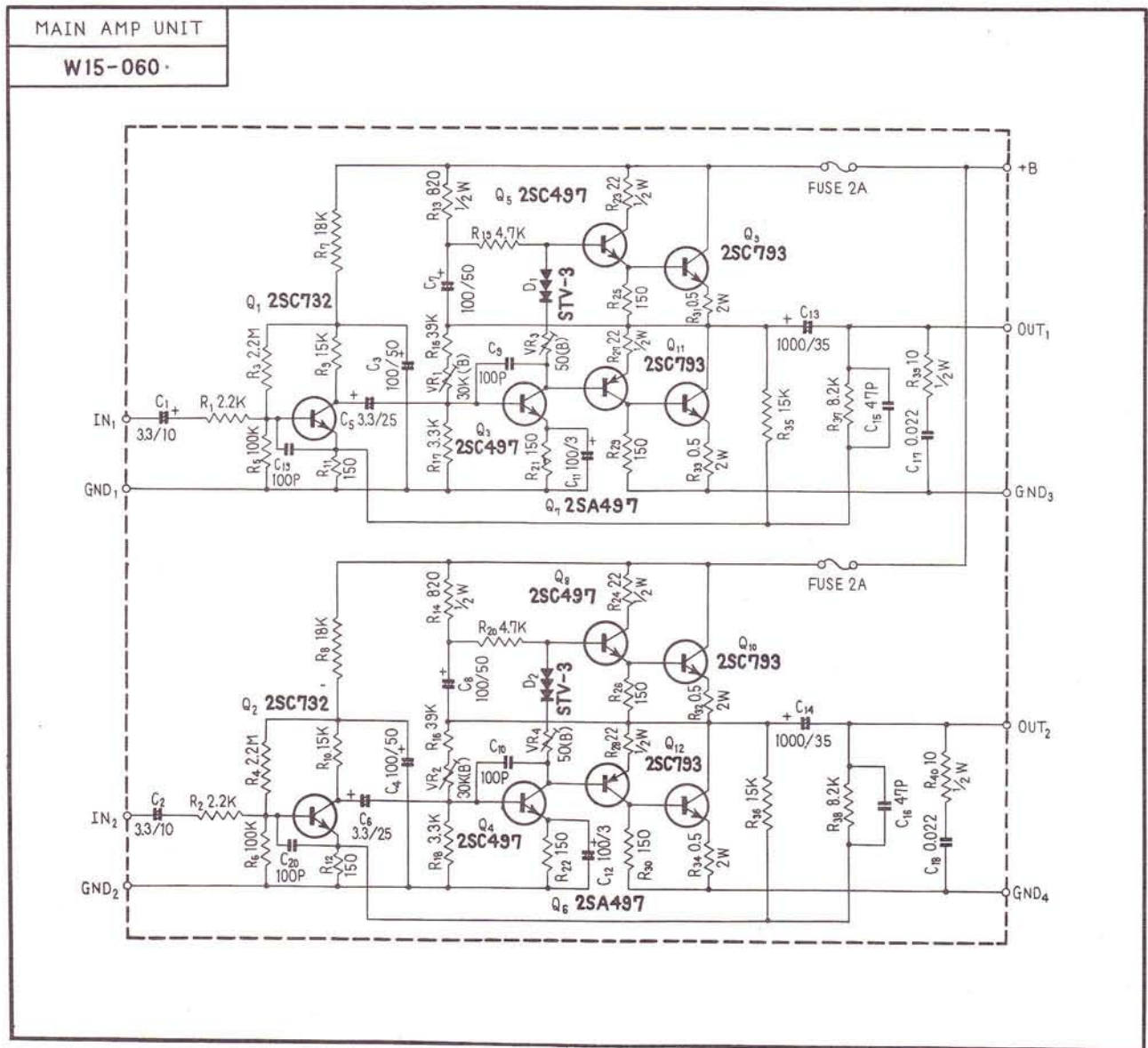
# CONTROL AMP UNIT W15-050



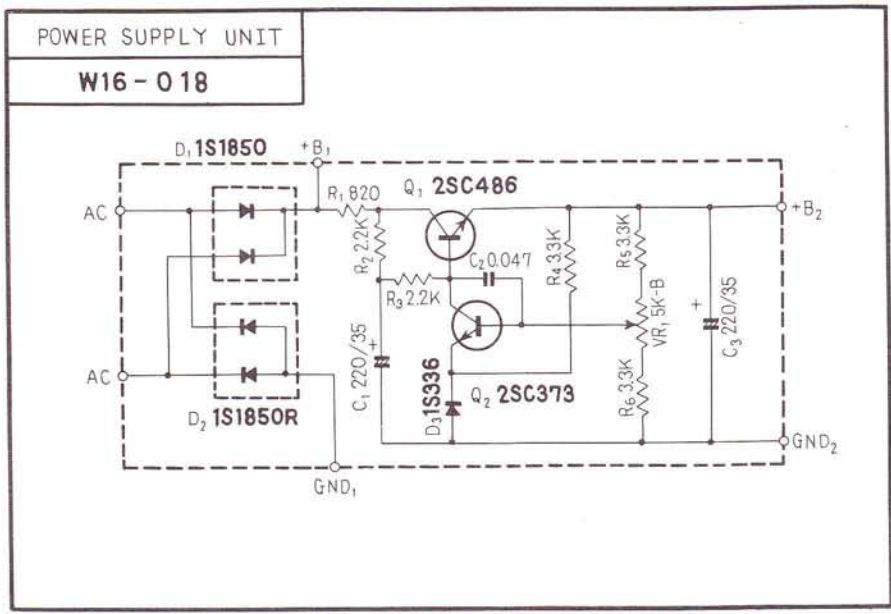
# PUSH SWITCH UNIT W15-070



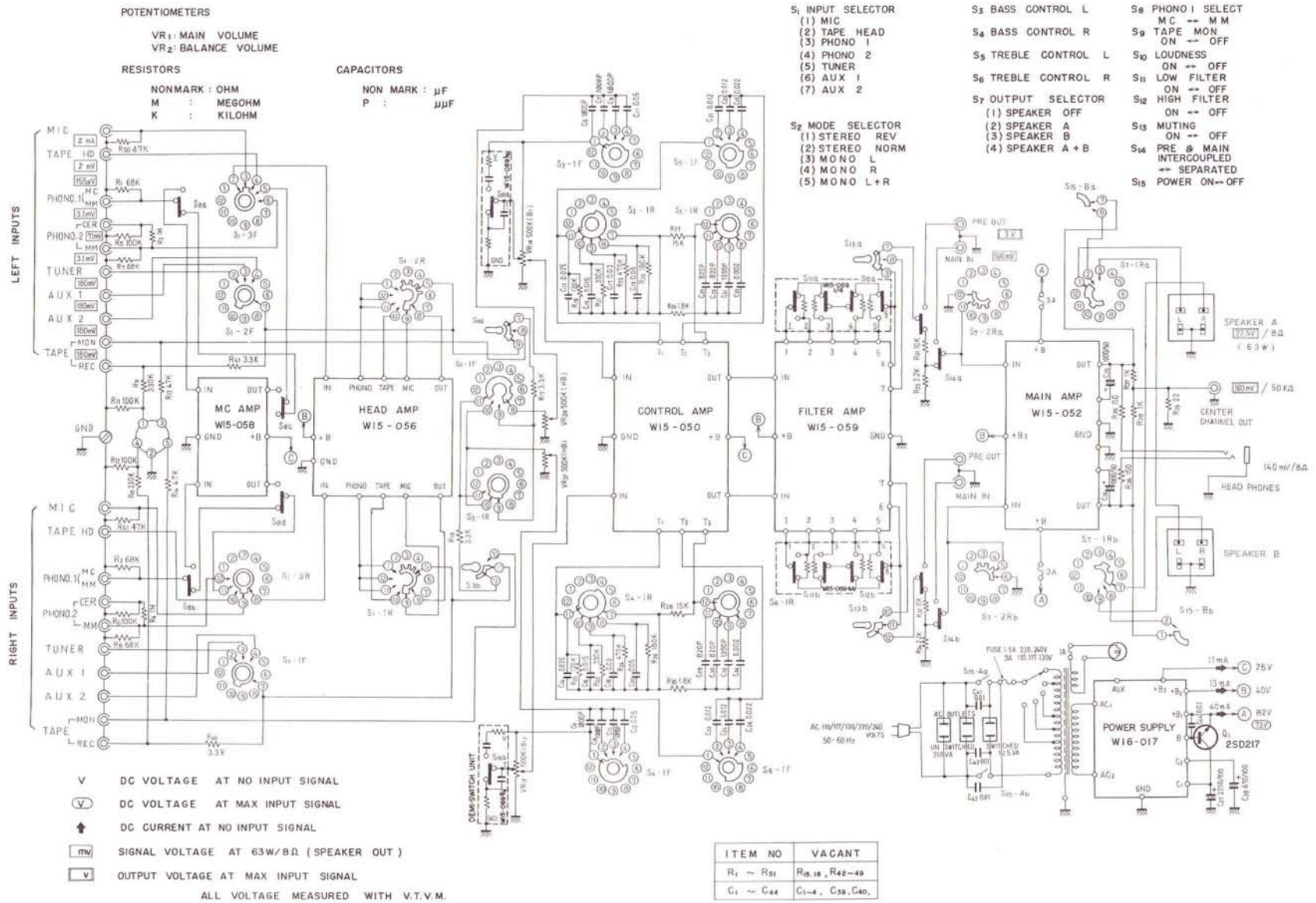
# MAIN AMP UNIT W15-060



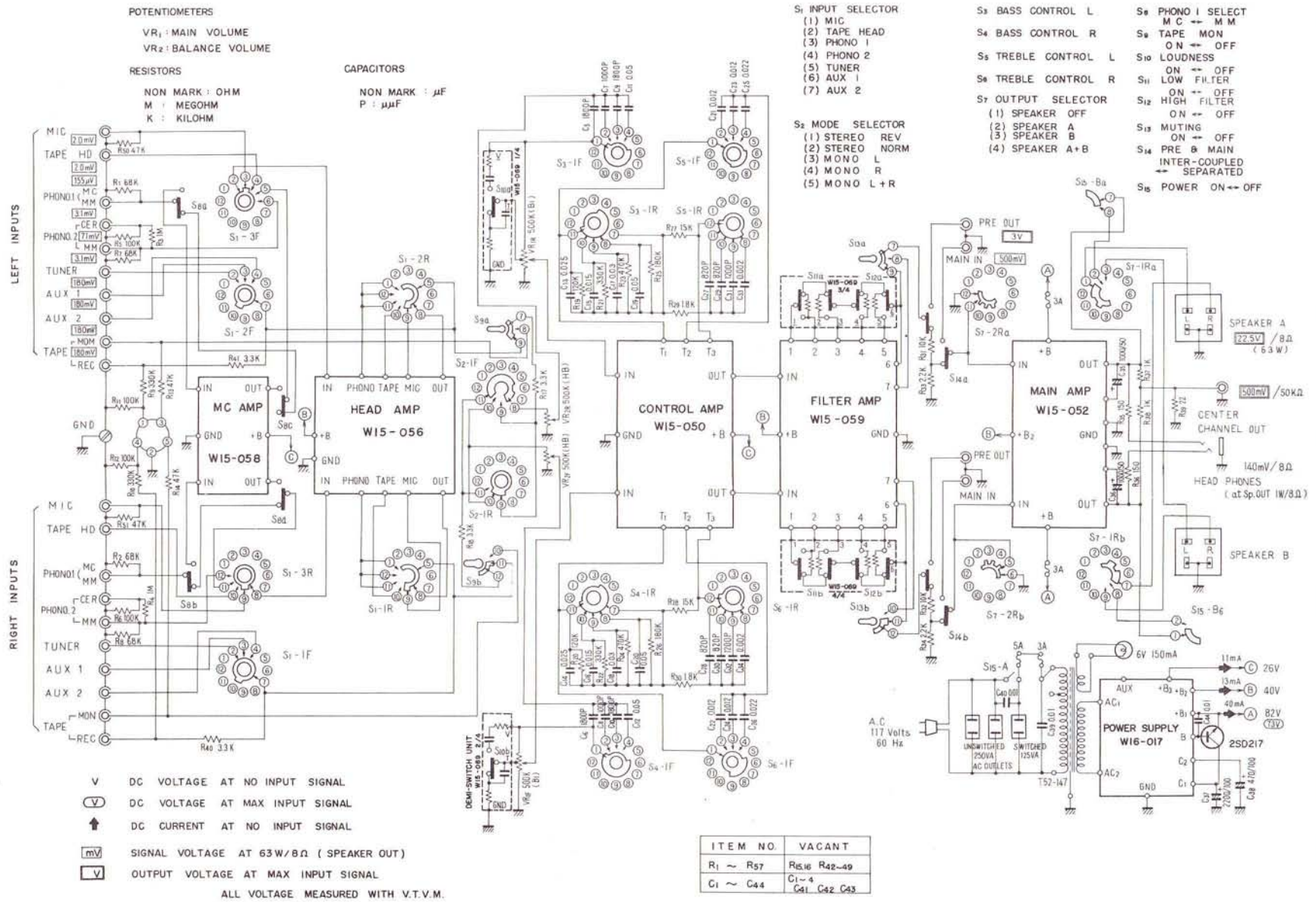
# POWER SUPPLY UNIT W16-018



# Model SA-900 / F

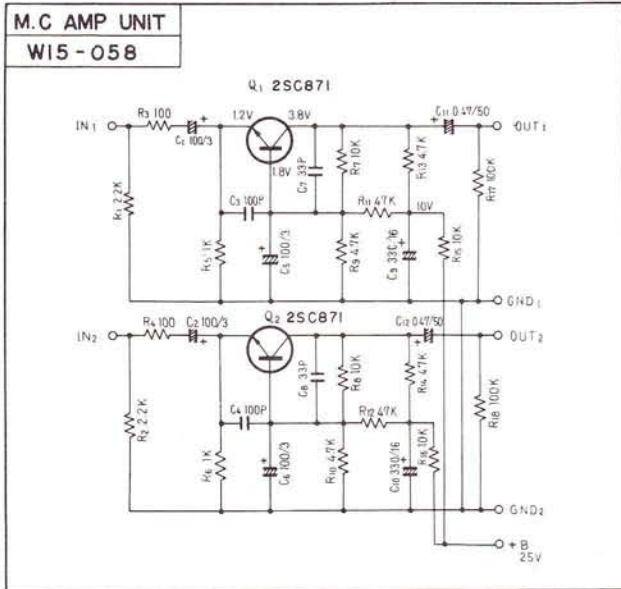


# Model SA-900 / KC

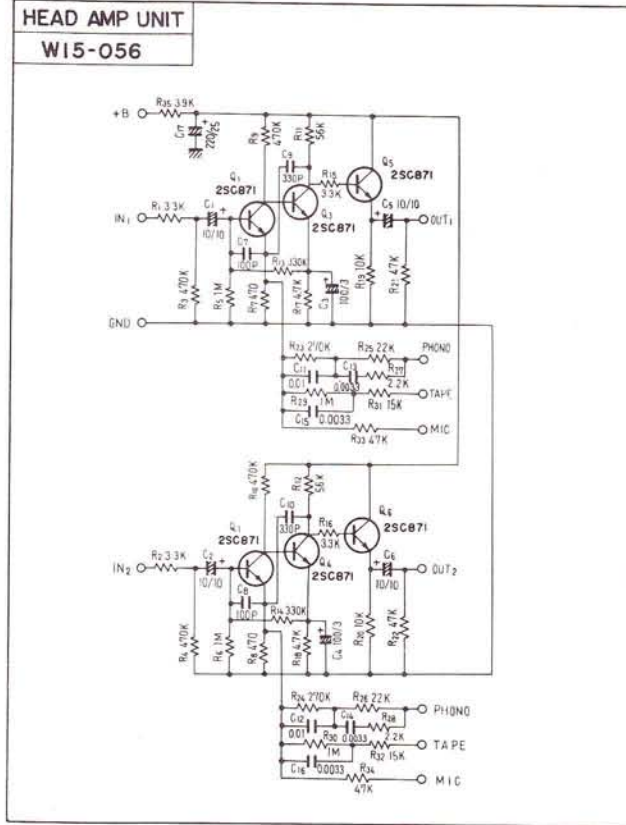




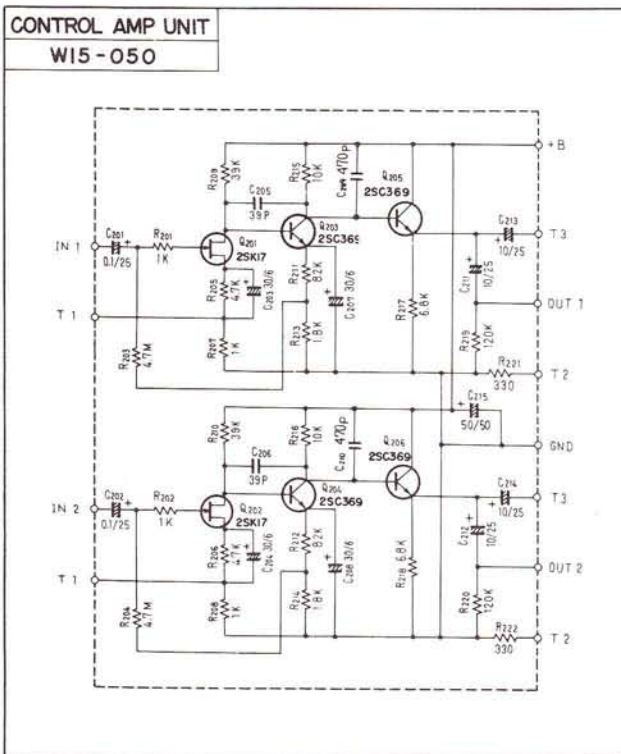
# MC AMP UNIT W15-058



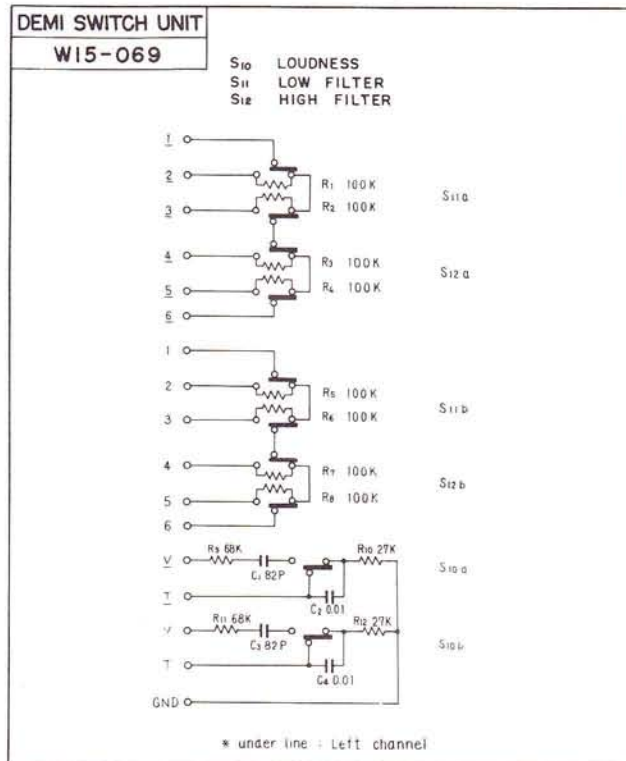
# HEAD AMP UNIT W15-056



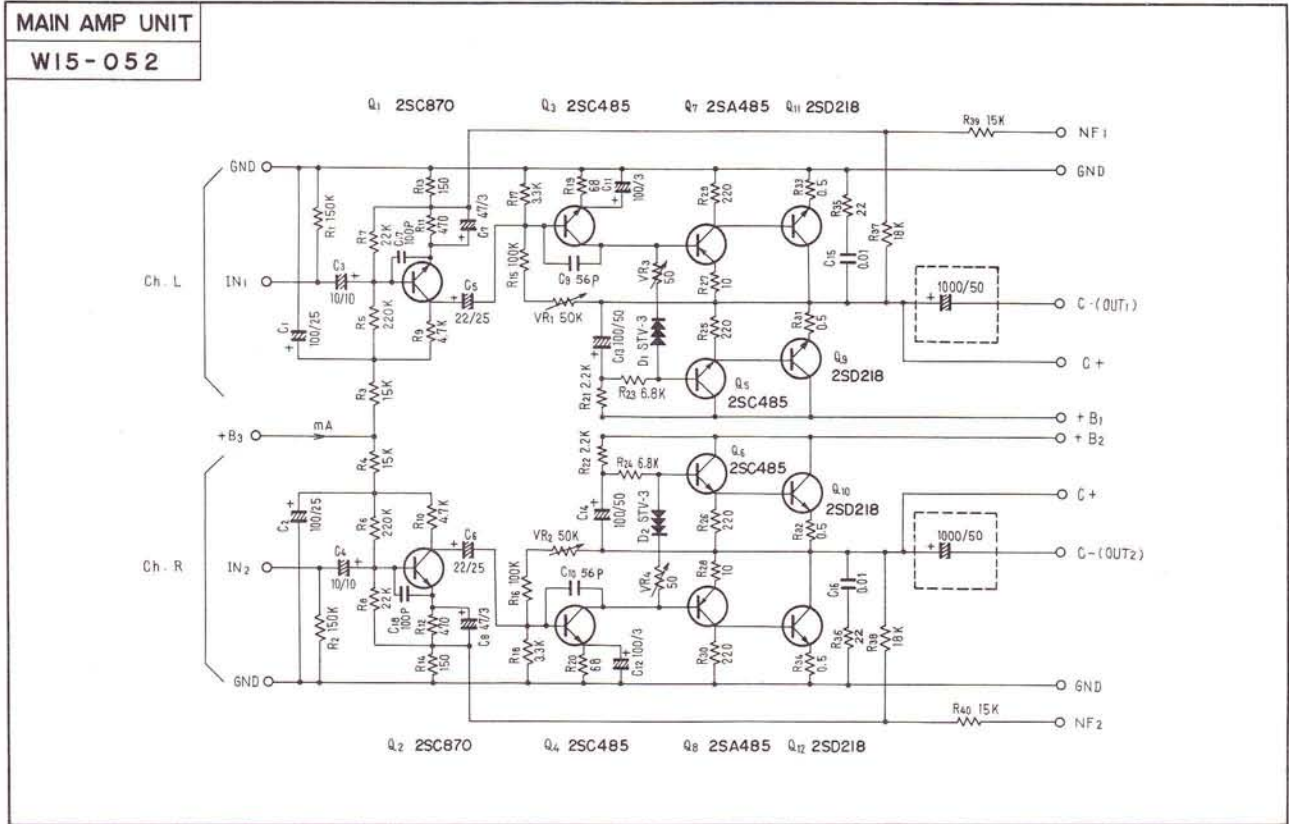
# CONTROL AMP UNIT W15-050



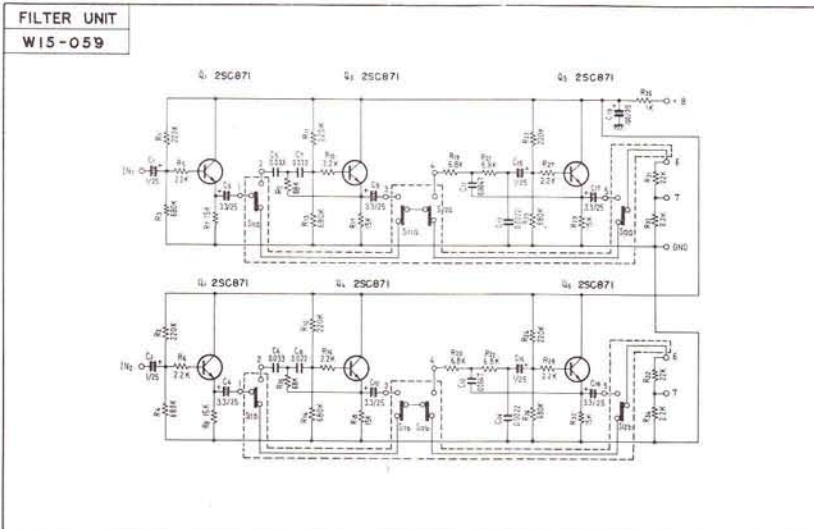
# DEMI-SWITCH UNIT W15-069



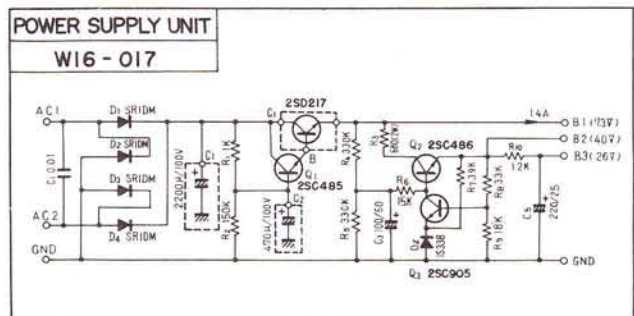
# MAIN AMP UNIT W15-052



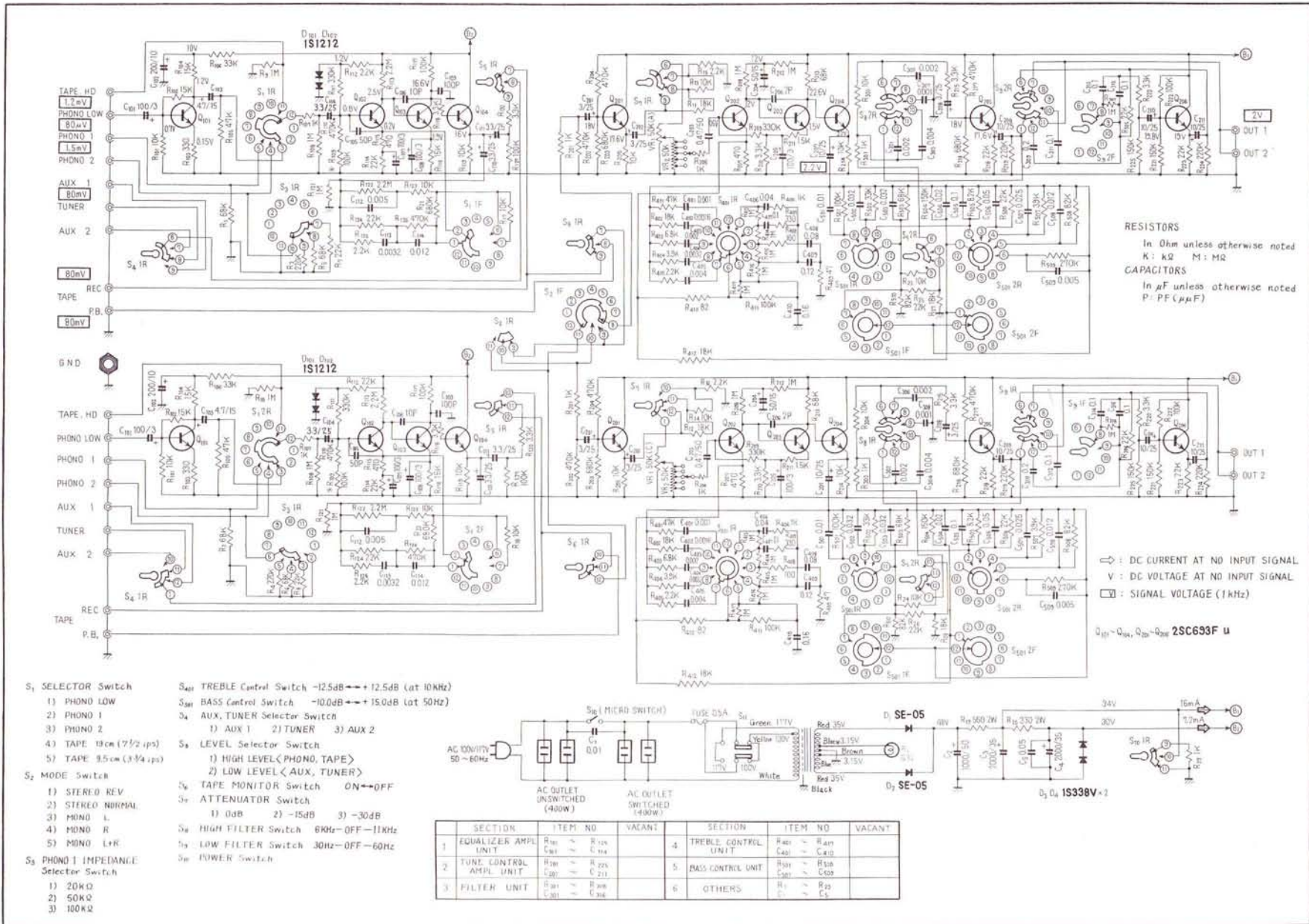
# FILTER UNIT W15-059



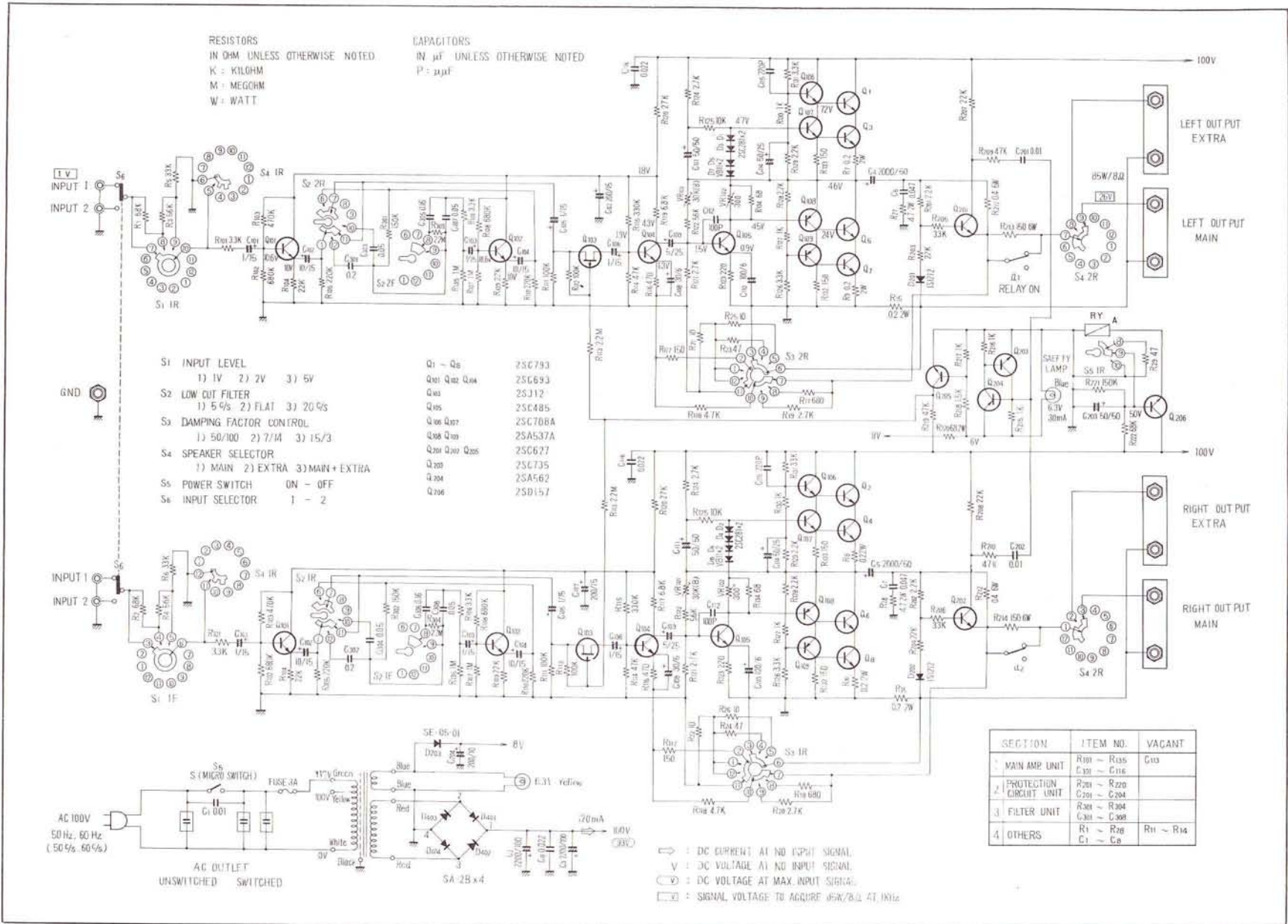
# POWER SUPPLY UNIT W16-017



# STEREO PREAMPLIFIER Model SC-100

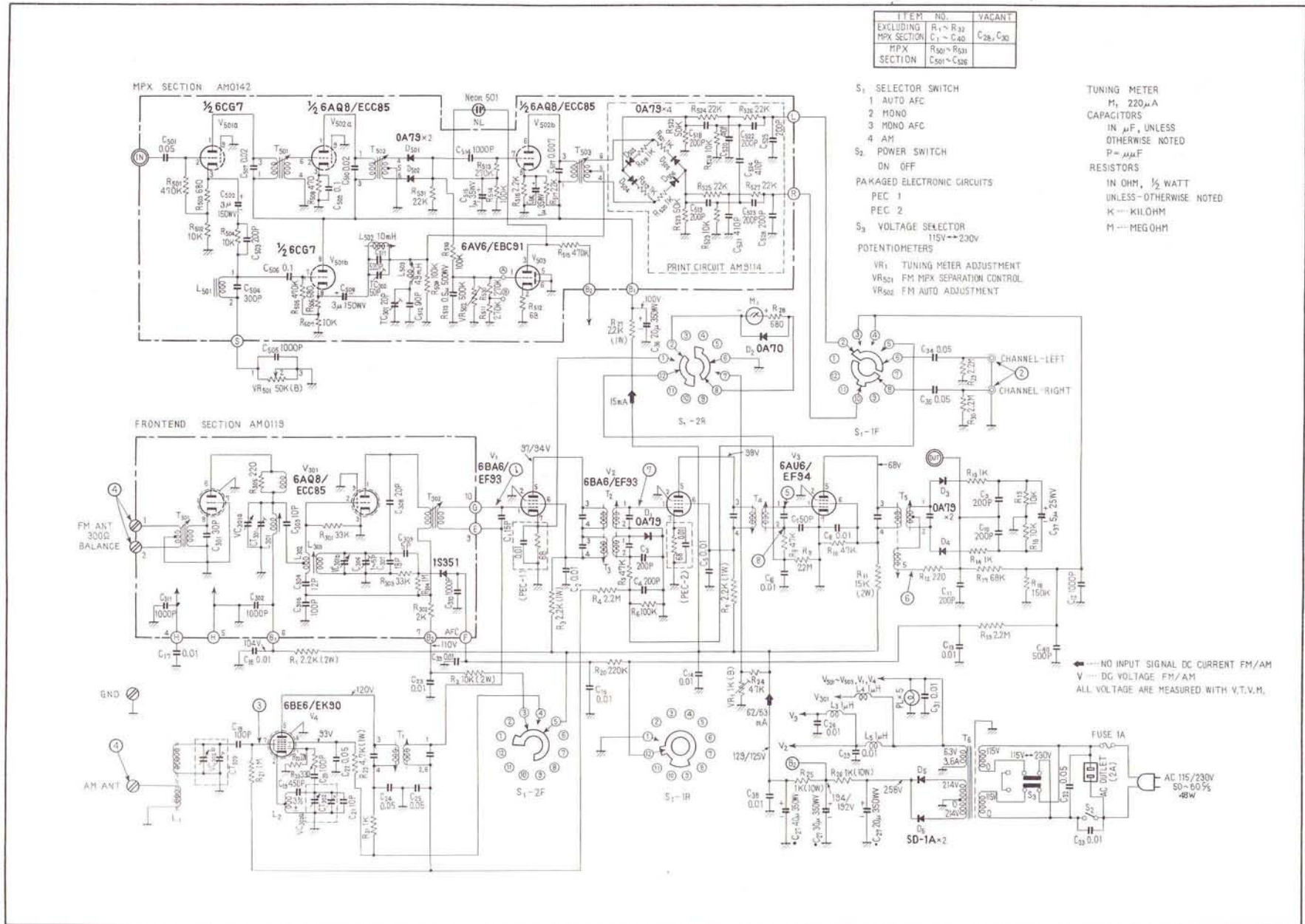


# STEREO POWER AMPLIFIER Model SM-100

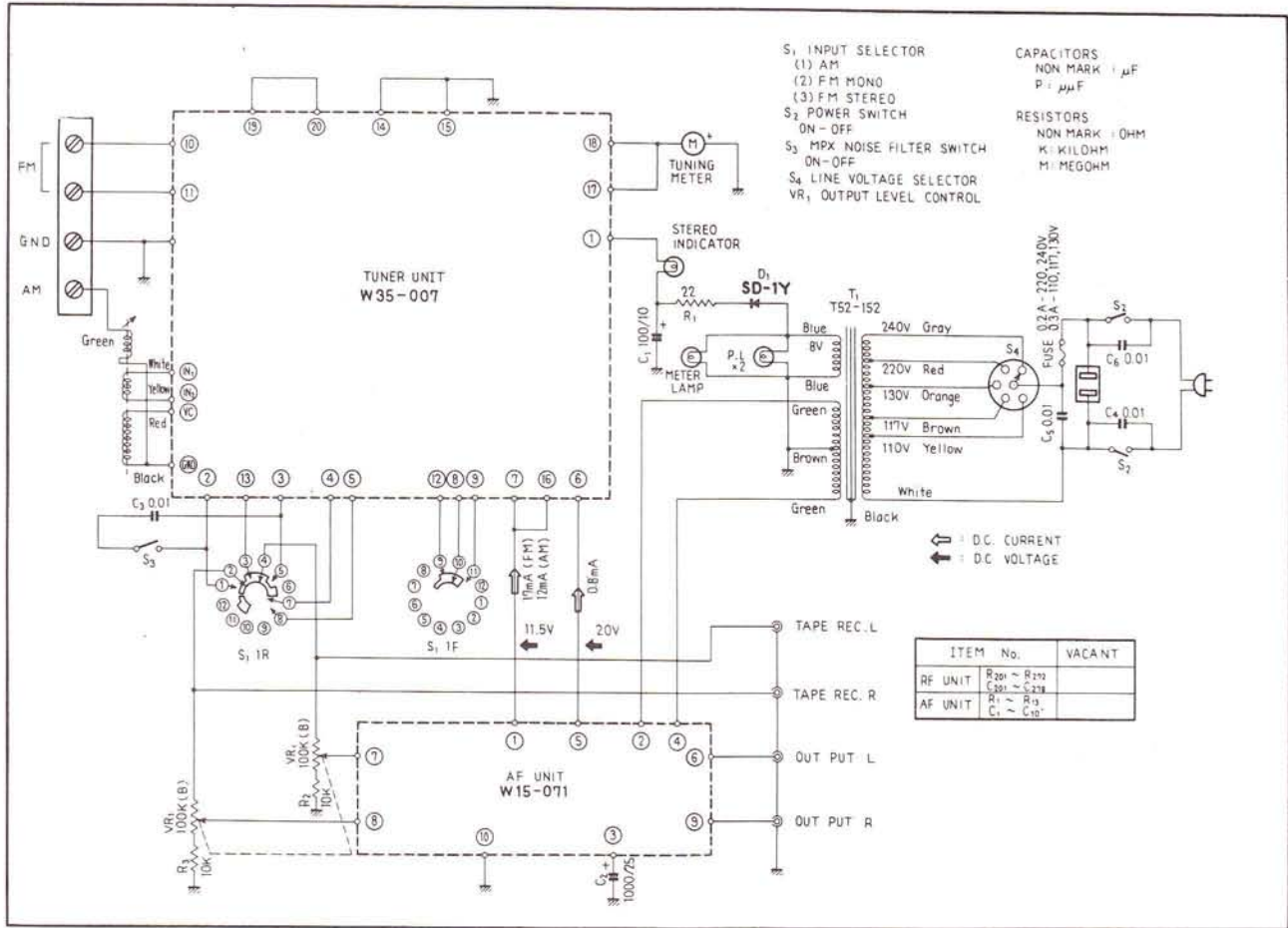


SECTION	ITEM NO.	VACANT
1 MAIN AMP UNIT	R101 - R155	C113
	C101 - C116	
2 PROTECTION CIRCUIT UNIT	R201 - R220	C204
	C201 - C204	
	R301 - R304	
	C301 - C308	
4 OTHERS	R1 - R10	R11 - R14
	C1 - C8	

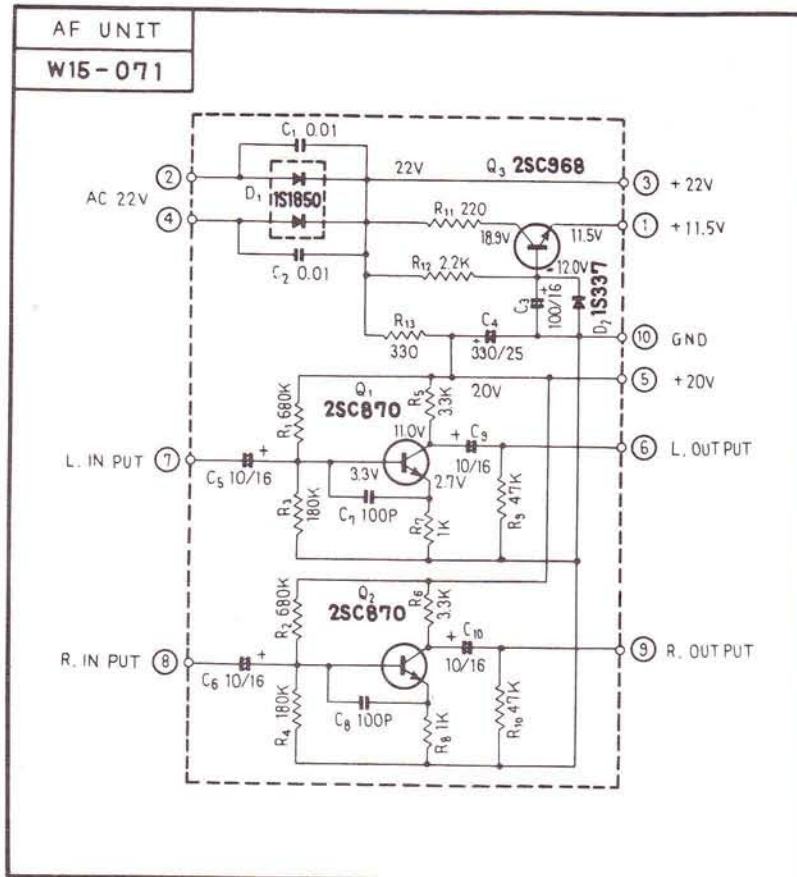
# STEREO TUNER Model TX-400



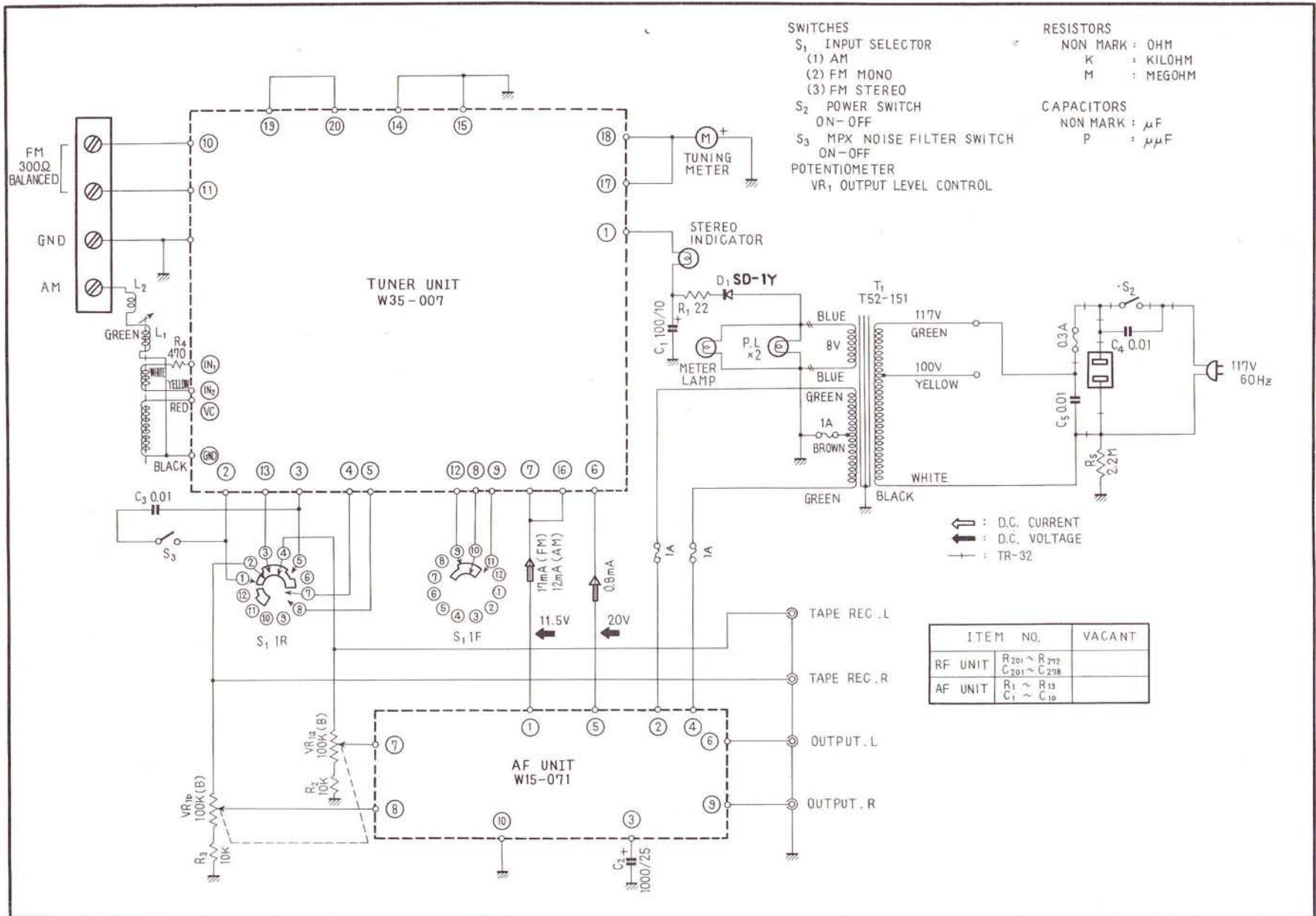
# Model TX-500 / F



## AF UNIT W15-071



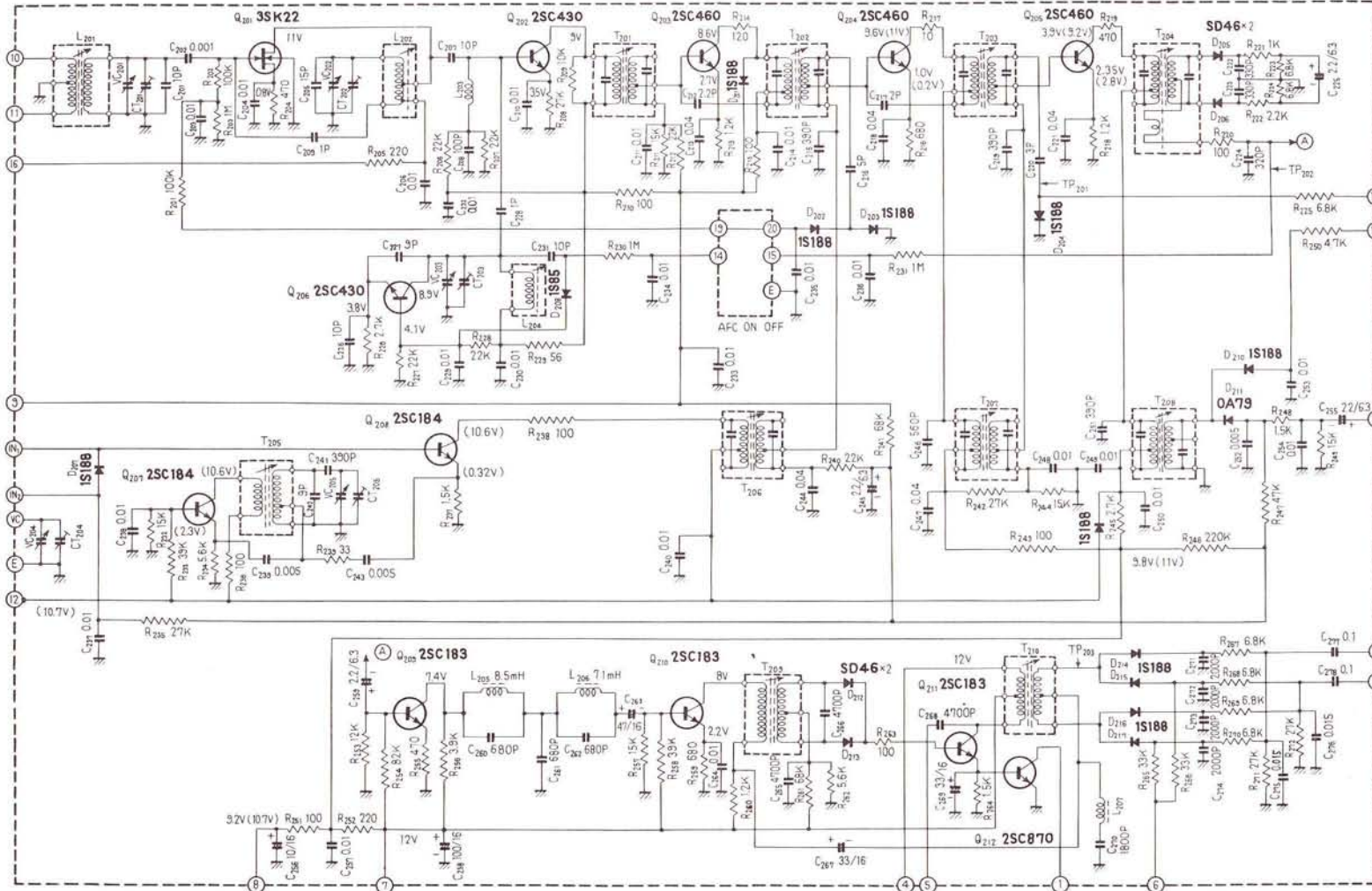
# Model TK-500 / KC



# TUNER UNIT W35-007

TUNER UNIT

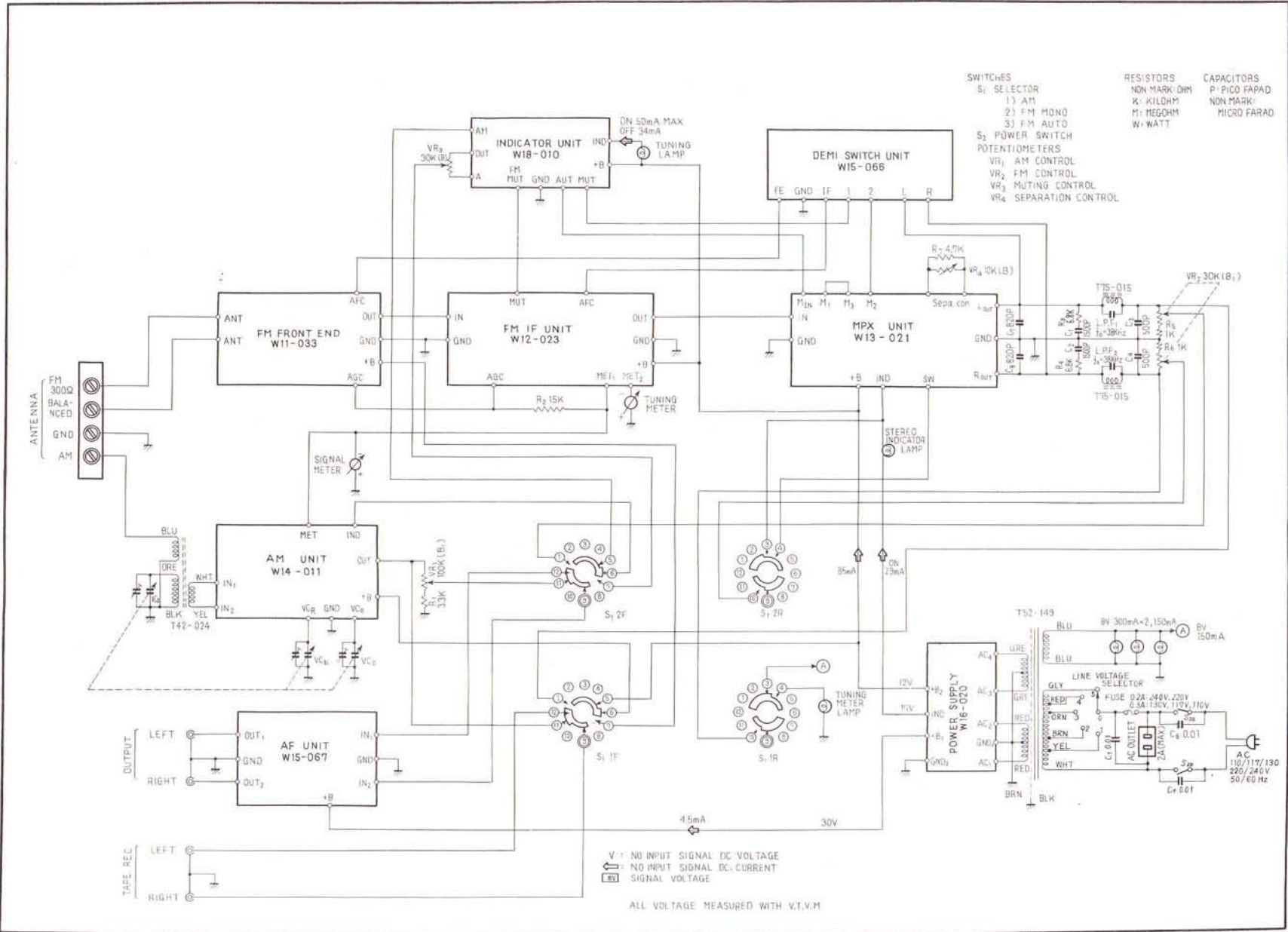
W35-007



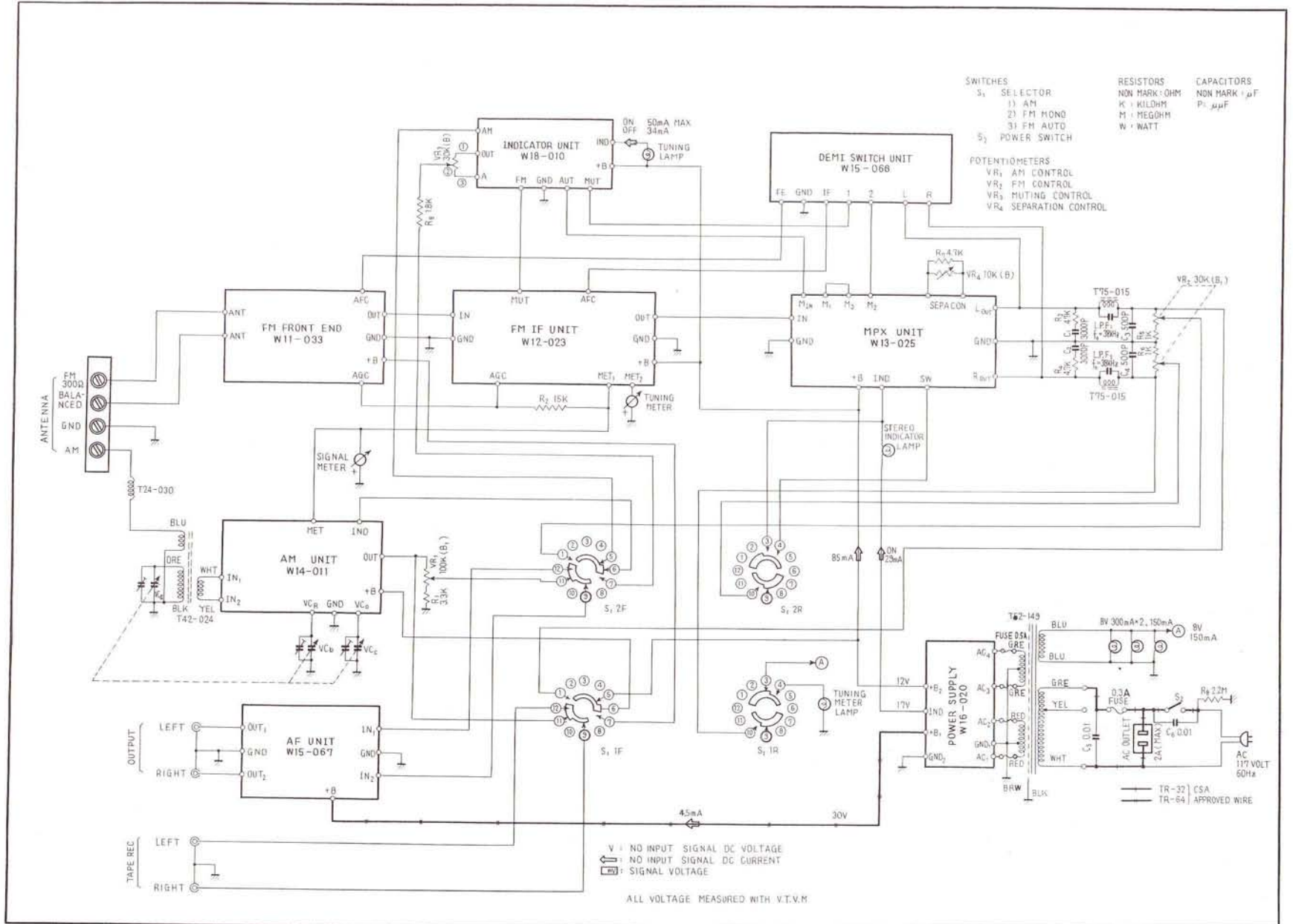
V DC VOLTAGE (FM)  
(V) DC VOLTAGE (AM)



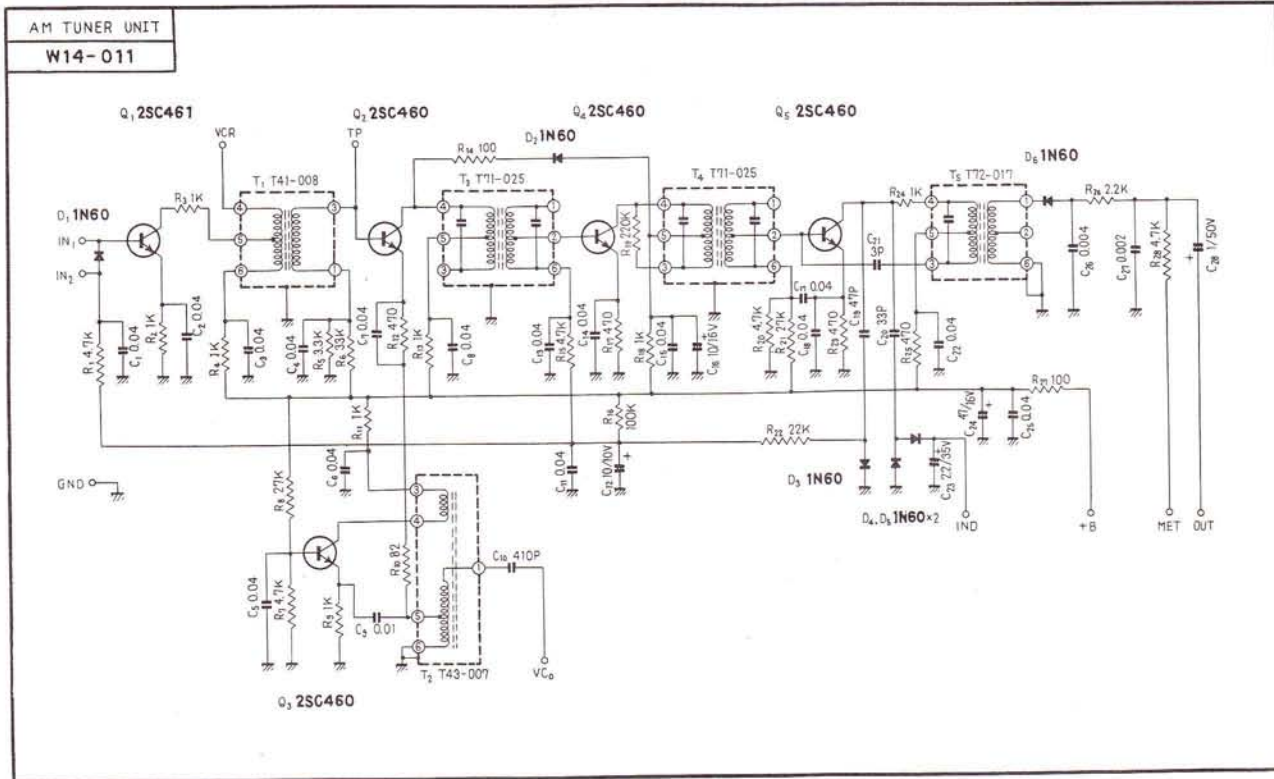
# Model TX-900 / F



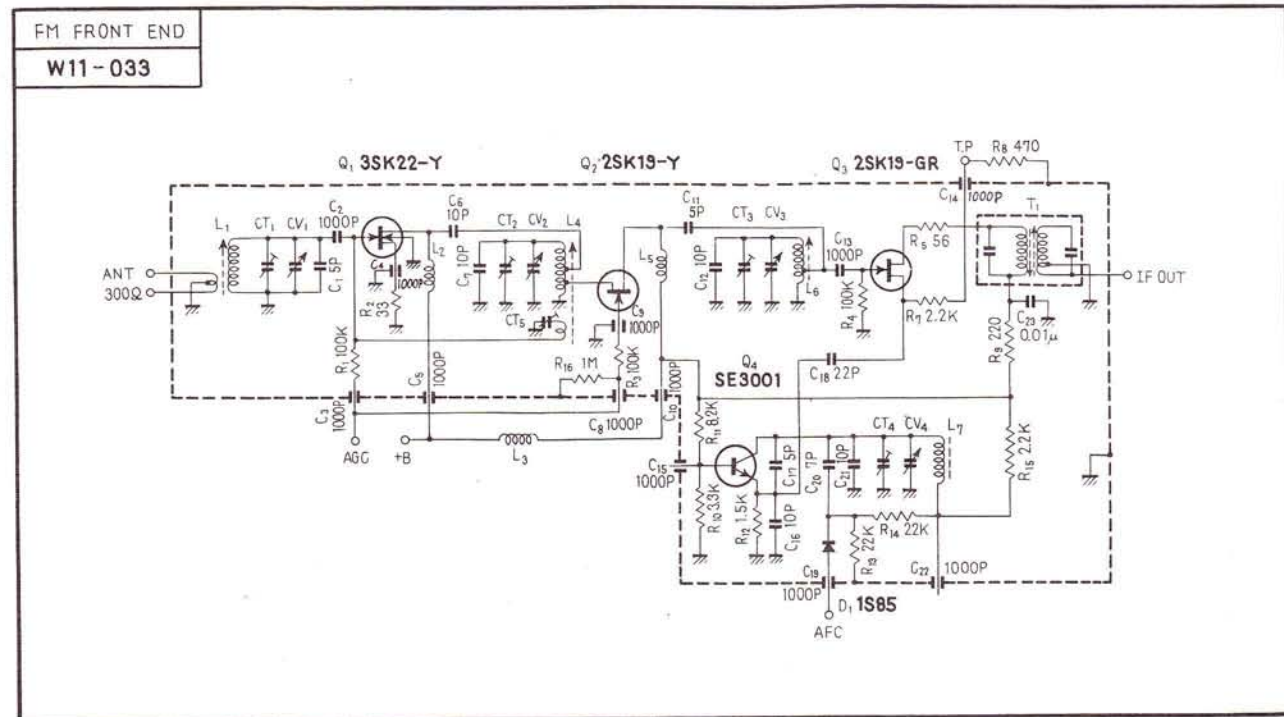
# Model TX-900 / kc



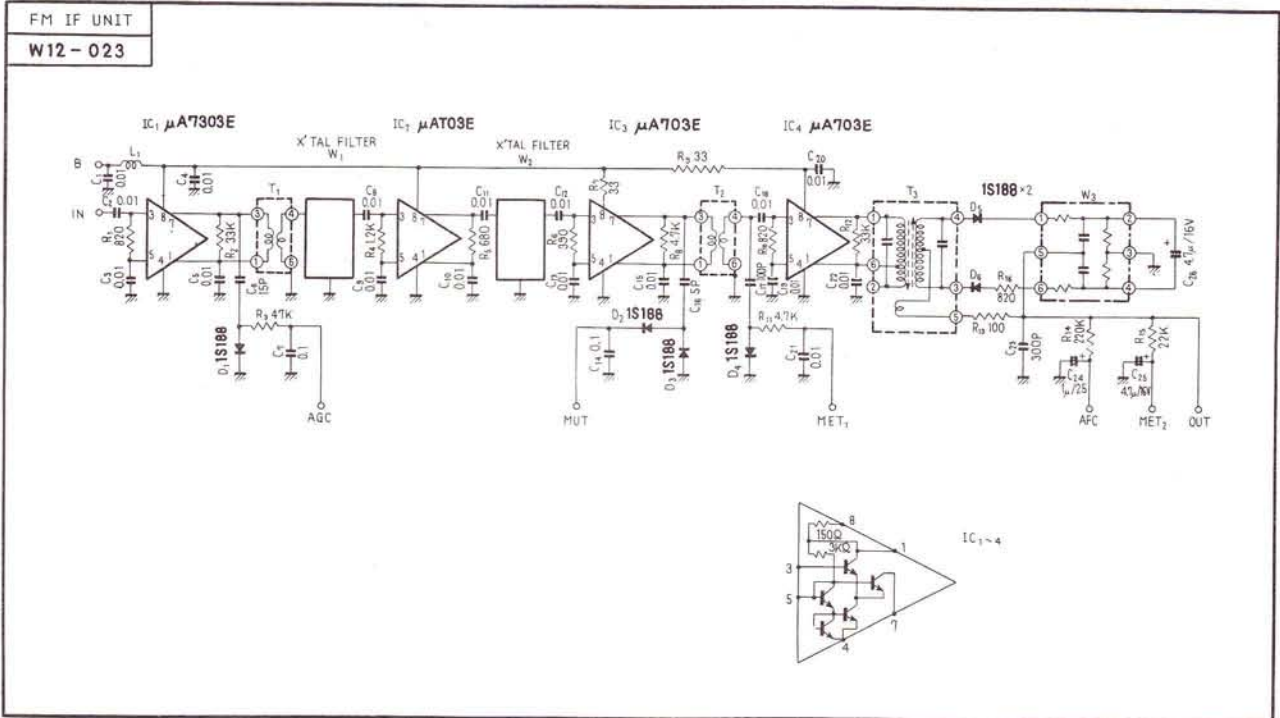
# AM TUNER UNIT W14-011



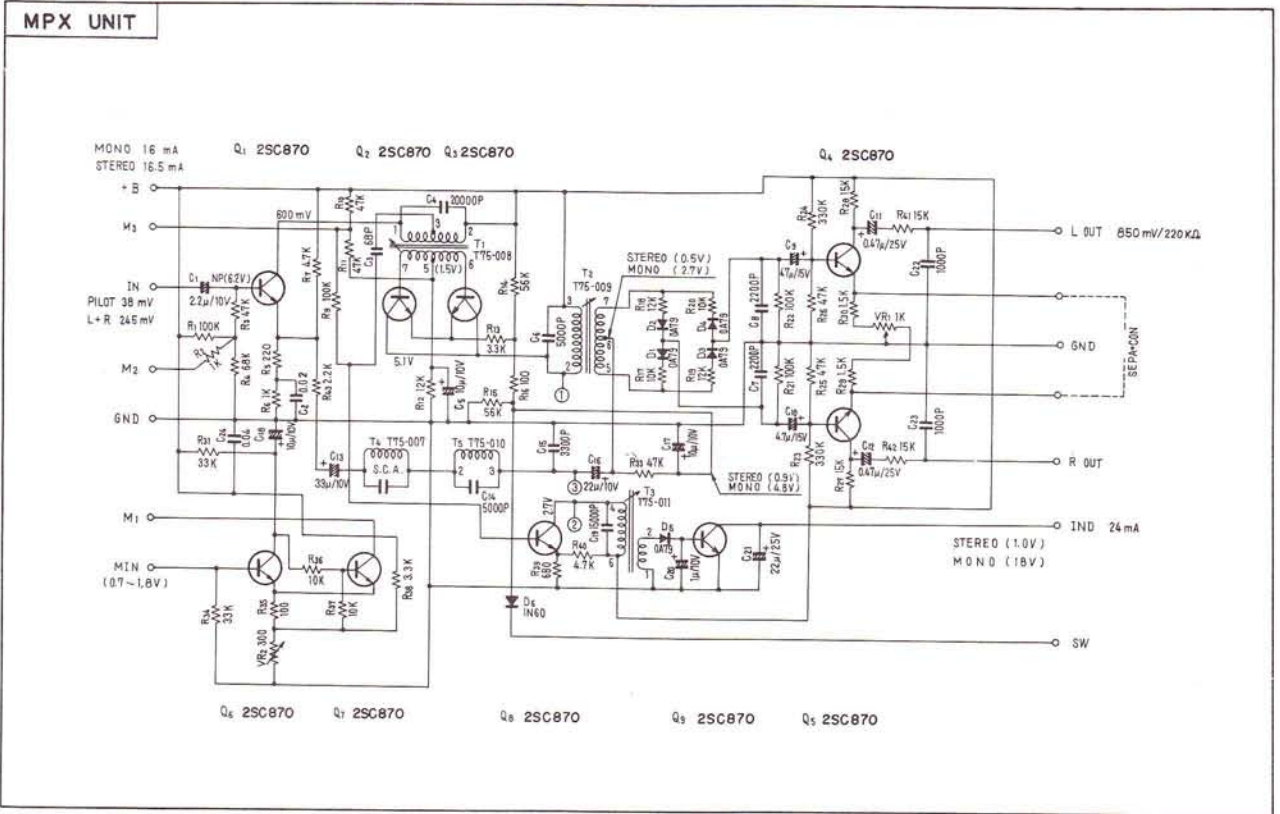
# FM FRONTEND W11-033



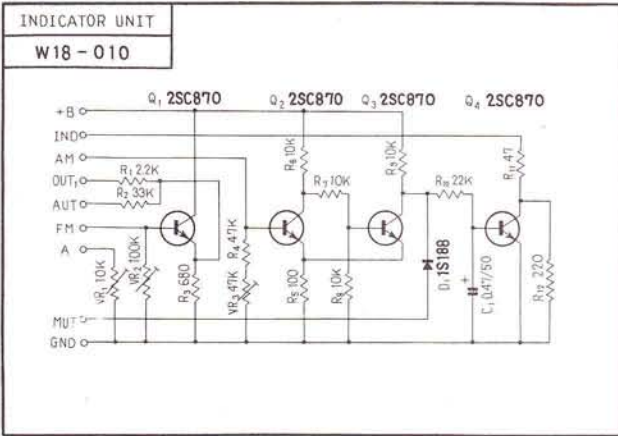
# FM IF UNIT W12-023



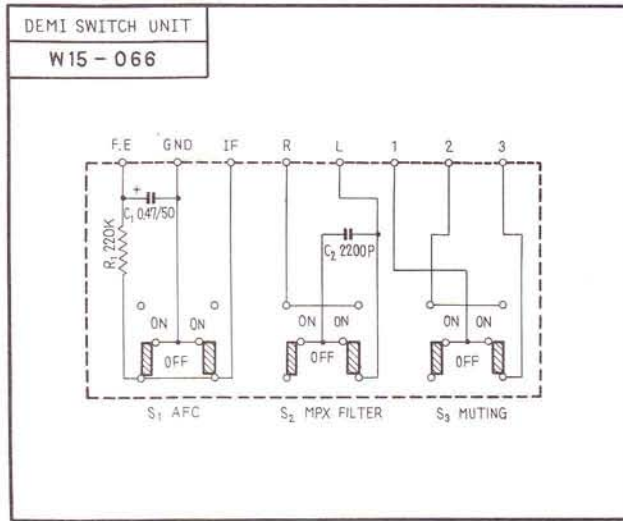
# MPX UNIT W13-021, W13-025



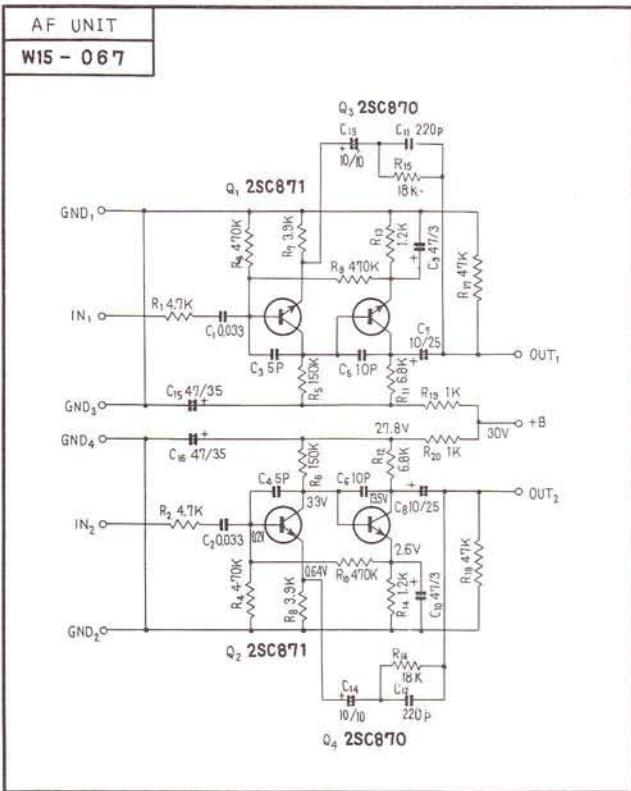
# INDICATOR UNIT W18-010



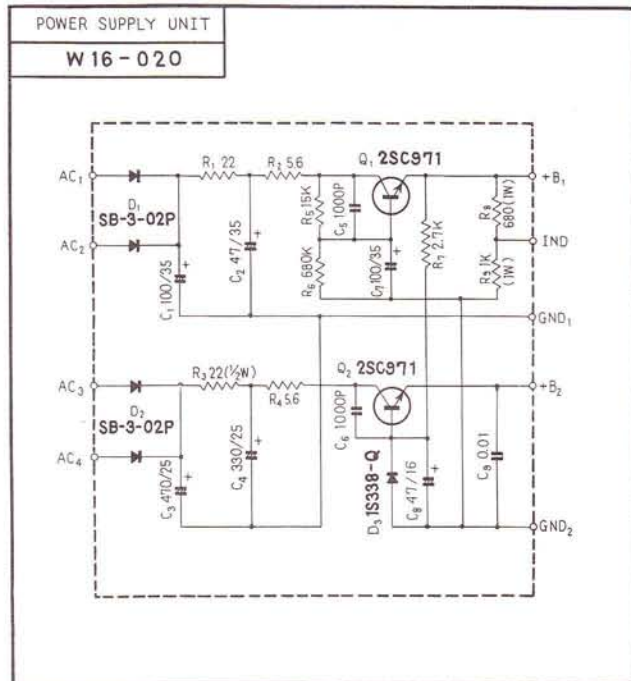
# DEMI-SWITCH UNIT W15-066



# AF UNIT W15-067



# POWER SUPPLY UNIT W16-020



# SECTION 3

## STEREO TAPE DECKS & STEREO CARTRIDGE TAPE PLAYERS

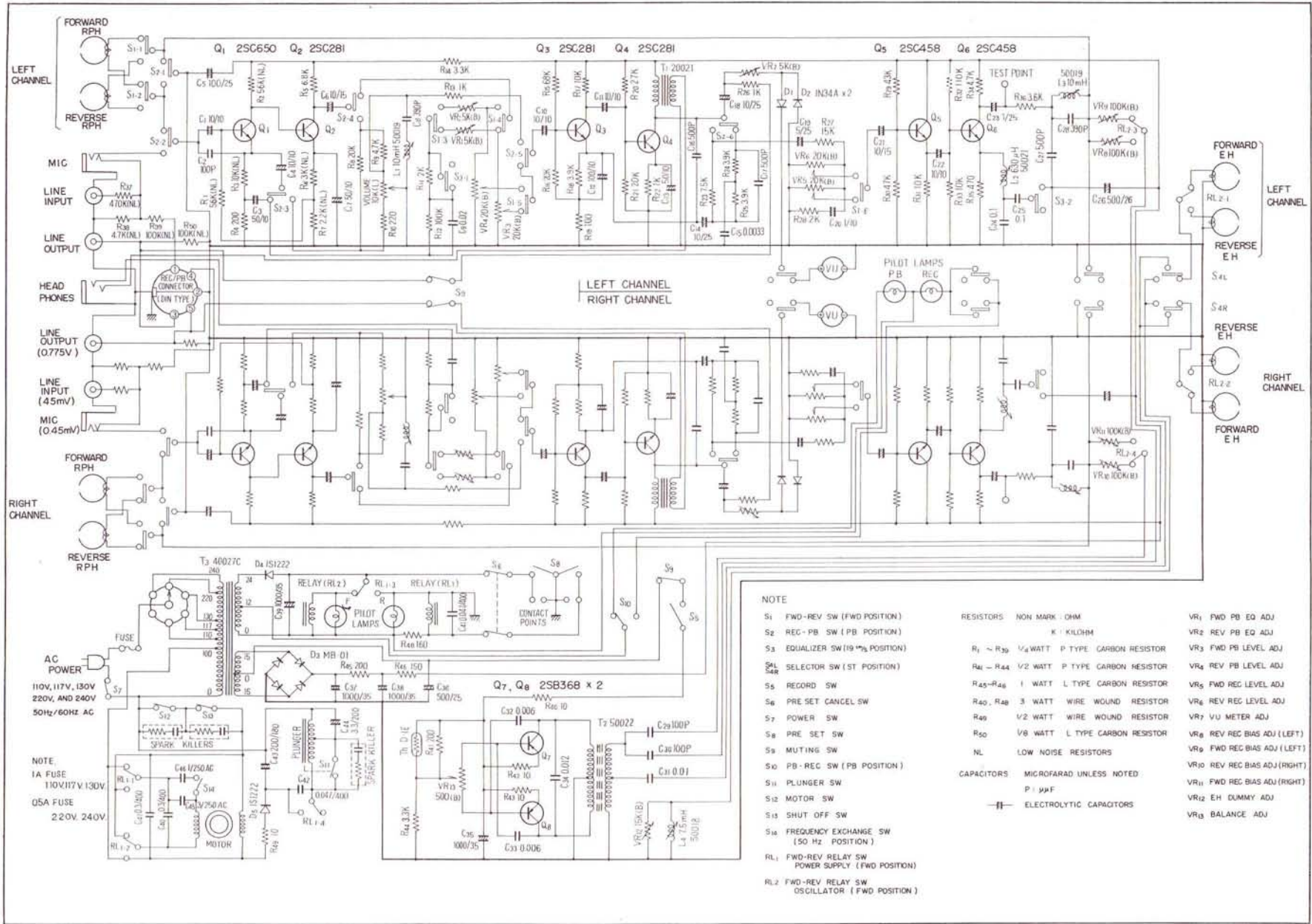


MODEL H-60®

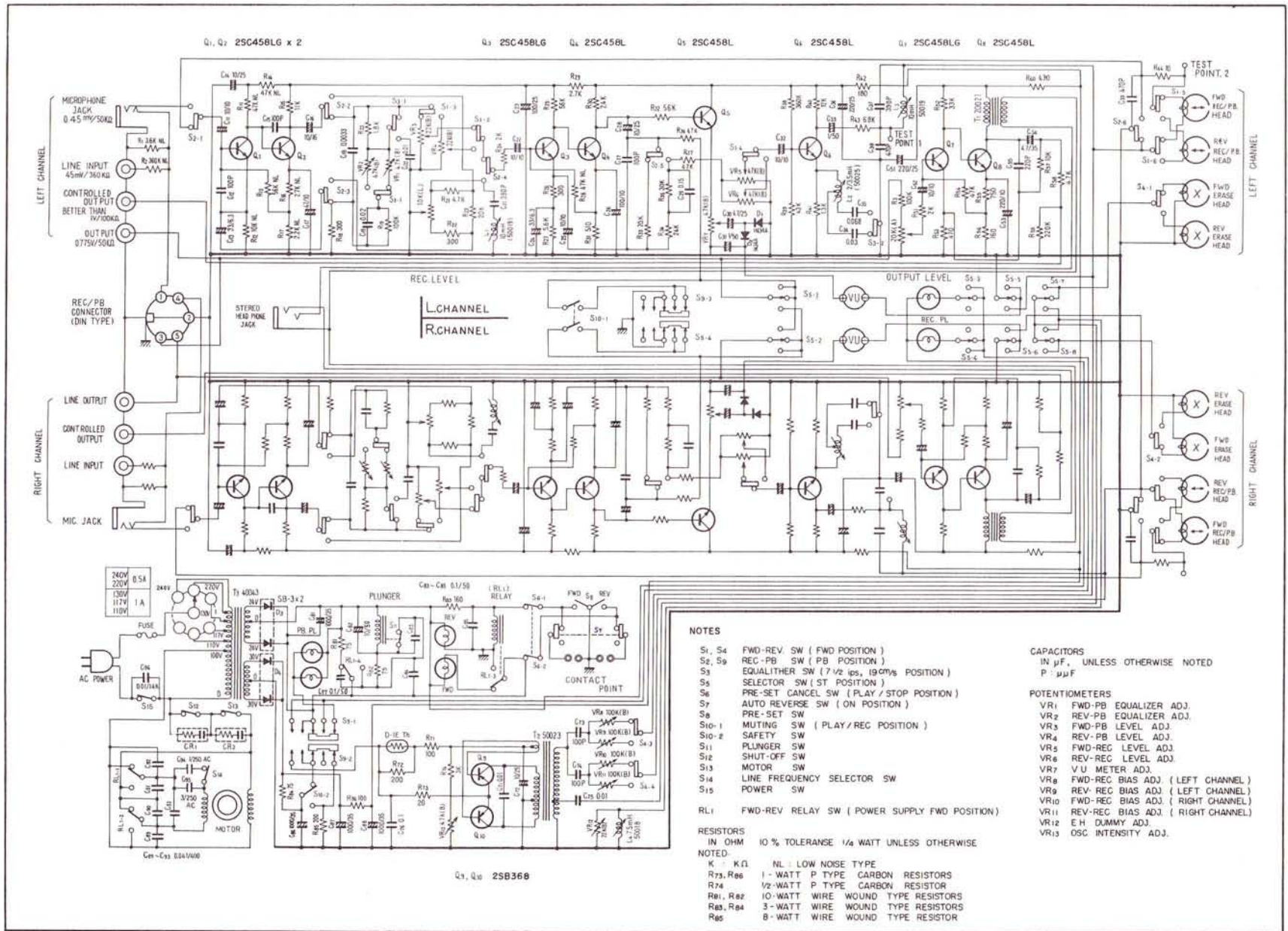


MODEL T-600

# STEREO TAPE DECK Model T-500 F

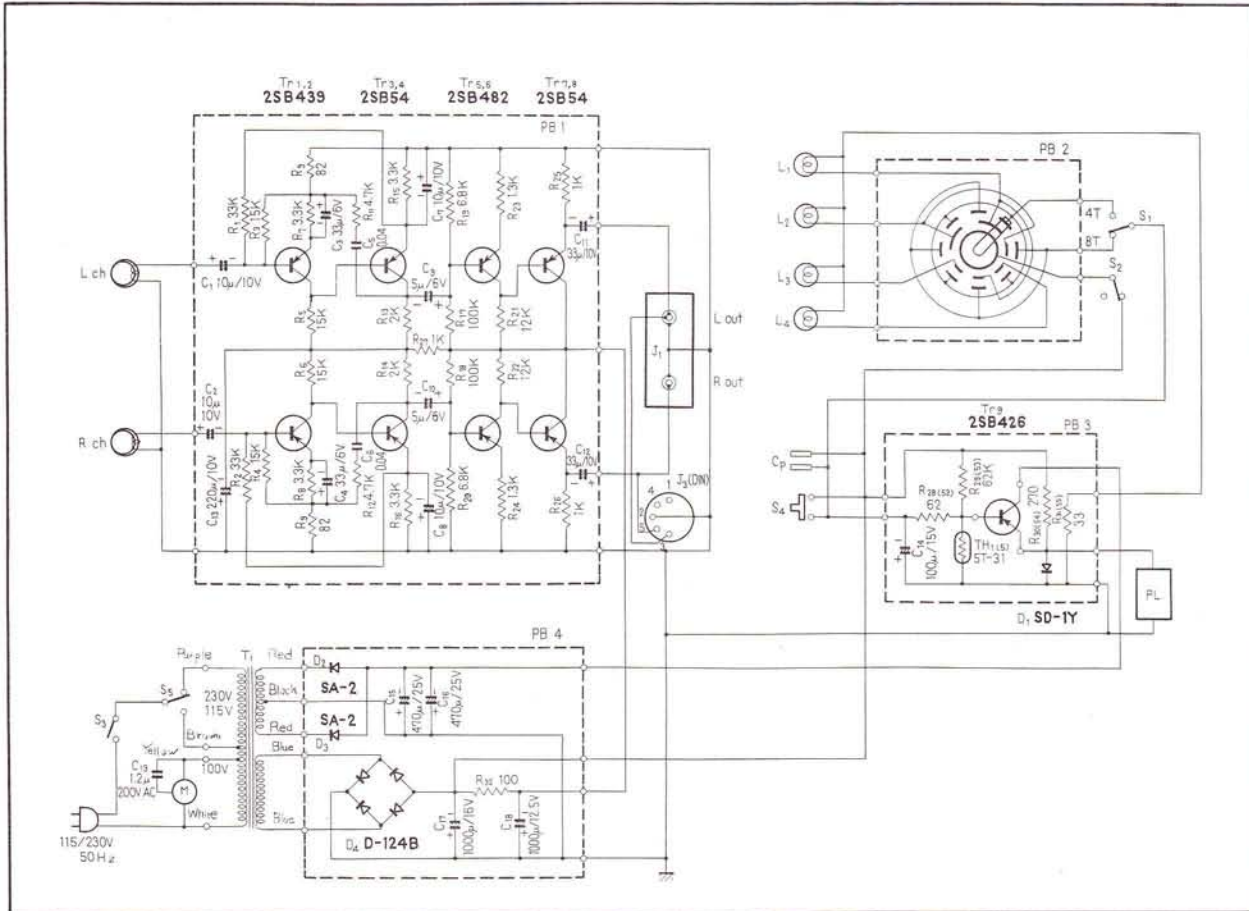


# Model T-600 F





# STEREO CARTRIDGE TAPE PLAYER Model H-60 <sup>Ⓔ</sup>



# Model H-60I <sup>Ⓕ</sup>

